

# CRYSTORAMA

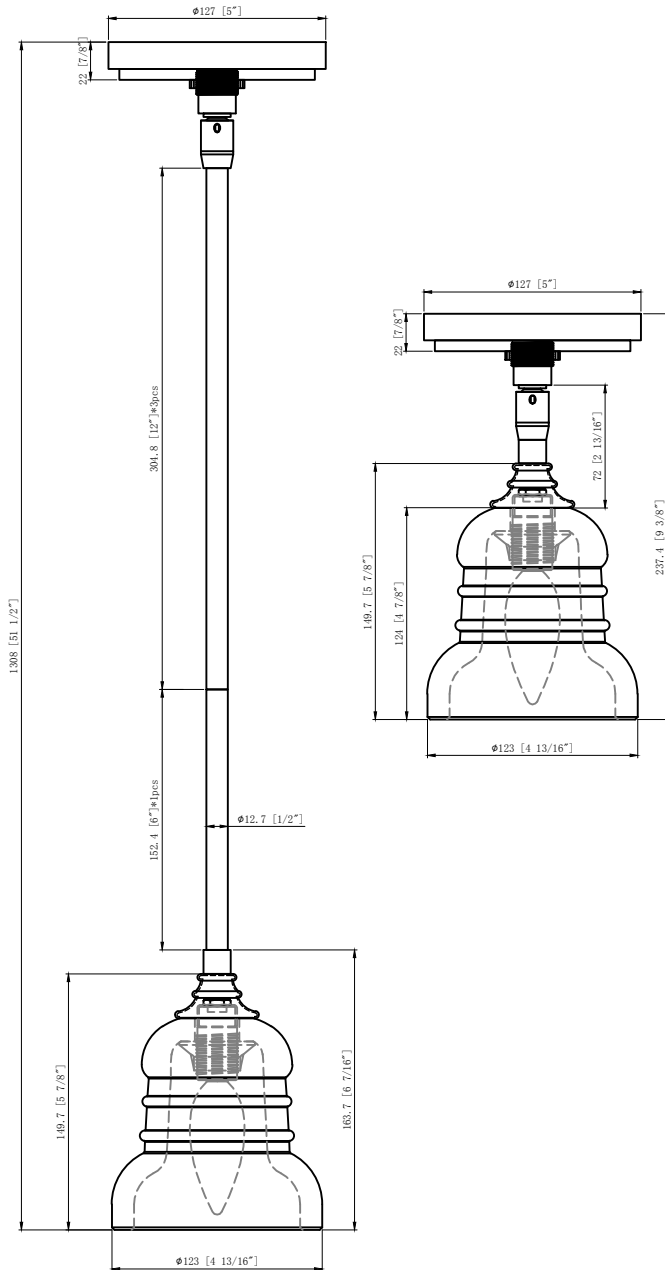
LIGHTING THE WAY FOR SIXTY YEARS



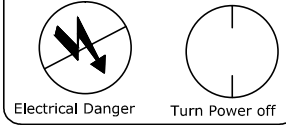
Crystorama.com

ASSEMBLY INSTRUCTION MODEL #GRG-1040-AG

Drawing (1)



## WARNING:



All electrical components must be installed by a licensed electrician in accordance with the National Electric Code and the appropriate local electrical codes.



**You will need 1-Cand.Bulb**  
 25 Watts Recommended 40 Watts Max.  
 USE LED BULBS FOR EXTENDED USE  
 THIS FIXTURE IS DAMP RATED

## How to install for hanging:

Please place the fixture frame on a soft cloth covered table before the installation.

1. Decide the preferred hanging height and choose the correct rod length needed.
2. Feed the wire through the rods and screw the rods together.
3. Continue to feed the wire through the collar ring, canopy, Swivel and Collar loop and Mounting Strap. Screw the Swivel onto the rod.
4. Raise the fixture up onto the ceiling and Attach the mounting Strap onto the outlet box using two outlet box screws.
5. Connect the wires from fixture with the supply wires and raise the canopy over the outlet box and secure with the collar ring.
6. Install the glass shade over the socket and secure with the socket ring using the wrench.

**WARNING:** This product can expose you to Lead which is known to the state of California to cause cancer and/or birth defects or reproductive harm. For more information go to [www.P65Warnings.ca.gov](http://www.P65Warnings.ca.gov)



## Part Number

### Part Numbers

- A. Mounting hardware
  - (1) Mounting strap
  - (2) Outlet box screw
  - (3) Wire nut
  - (1) Collar loop
  - (1) Swivel
- B. (1) Canopy;  $\varnothing 5'' \times H 1''$ ;  
XME1040AGCAN5IN
- C. (1) Collar Ring
- D. (3) Rod  $\varnothing 1/2'' \times H 12''$ ,  
XME1040AGROD12IN
- E. (1) Rod  $\varnothing 1/2'' \times H 6''$   
XME1040AGROD6IN
- F. (1) Socket
- G. (1) Glass Shade;  $W 5'' \times H 5''$ ,  
XME1040GLA5IN
- H. (1) Socket Ring
- I. (1) Wrench

