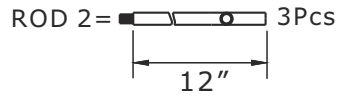
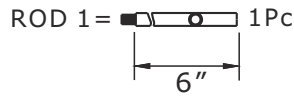




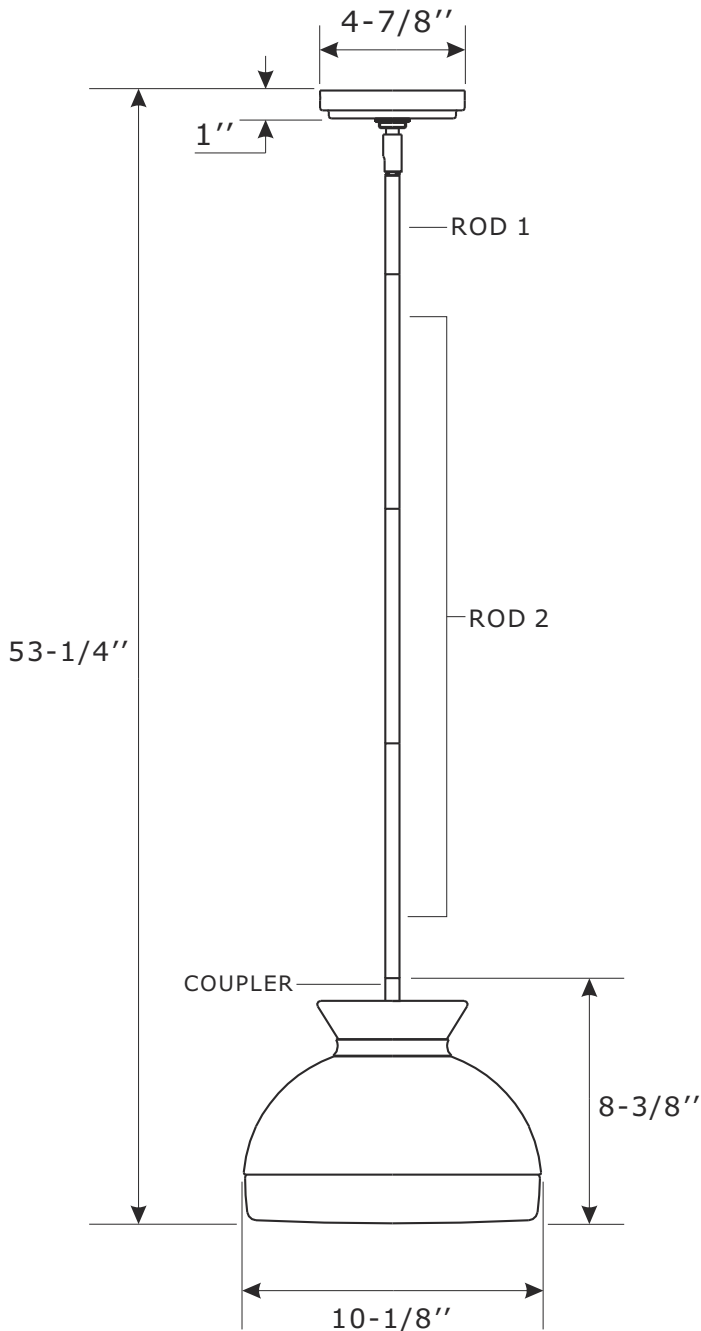
## ASSEMBLY INSTRUCTION MODEL#GID-4005-MK-VG



All electrical components must be installed by a licensed electrician in accordance with the National Electric Code and the appropriate local electrical codes.



You will need 1-Medium Base Bulb 60 Watts  
Recommended 100 Watts Max frosted bulb.  
USE LED BULBS FOR EXTENDED USE  
This fixture is Damp rated

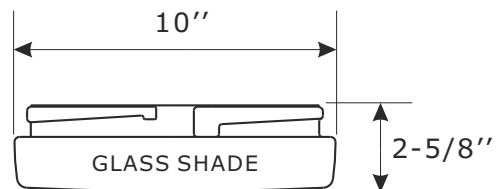


### How to install

1. Determine the preferred hanging height and choose the correct length of rods needed.
2. Feed the wires through the rods and connect them together.
3. Slip collar ring and canopy over the rod assembly.
4. Slip mounting bar with swivel along wire and thread it into the top of the rod assembly.
5. Raise fixture up and attach mounting bar to the outlet box using two outlet box screws.
6. Slide collar ring up to canopy and thread it onto the screw collar, securing the canopy.
7. Install the bulb(not included) into the socket.
8. Raise the glass shade to the metal shade and align the stud to the slot, then twist the glass shade clockwise to secure it.

### HOW TO REPLACE THE BULB

1. Twist the glass shade counter clockwise to take it off for bulb change.





## ASSEMBLY INSTRUCTION MODEL#GID-4005-MK-VG

### Part Number

#### Part Numbers

- A. (1)-Mounting hardware
- B. (1)-Canopy W4-7/8"xH1" #XRF4005MKVGCAN5IN
- C. (1)-Short rod D1/2"xL6" #XRF4005MKVGROD6IN
- D. (3)-Long rod D1/2"xL12" #XRF4005MKVGROD12IN
- E. (1)-Glass shade W10"xH2-5/8" #XRF4000GLA10IN

