

# CRYSTORAMA

LIGHTING THE WAY FOR SIXTY YEARS



Crystorama.com

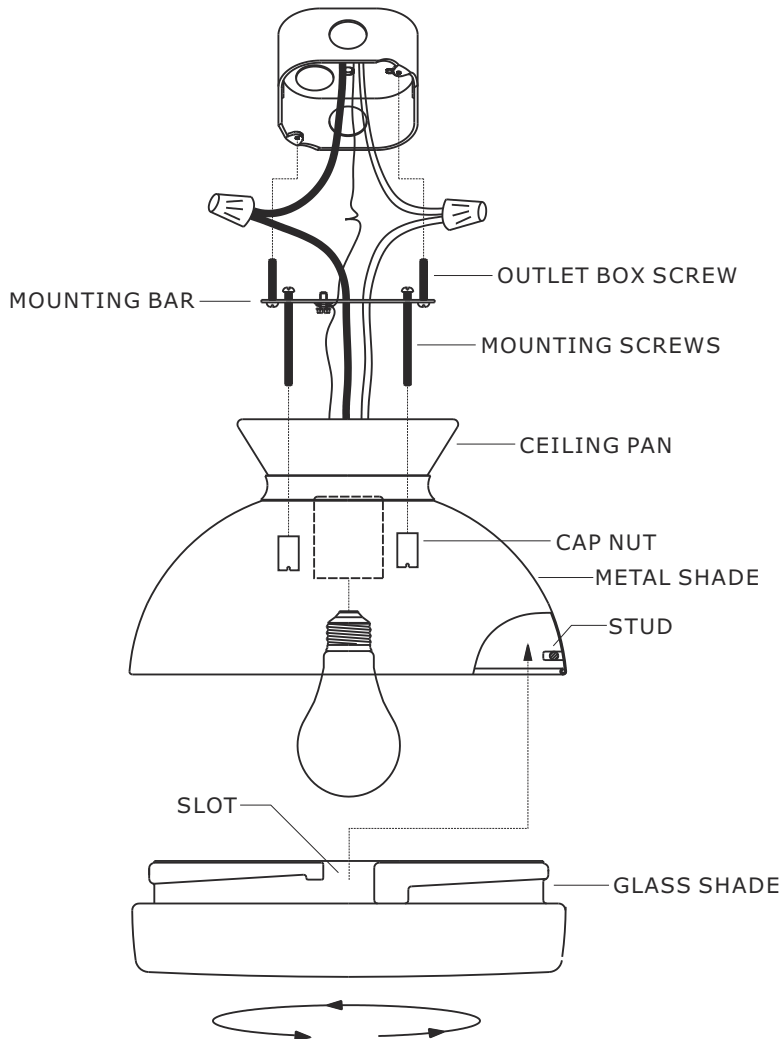
## ASSEMBLY INSTRUCTION MODEL #GID-4000-MK-VG



All electrical components must be installed by a licensed electrician in accordance with the National Electric Code and the appropriate local electrical codes.



You will need 1-Medium Base Bulb 40 Watts  
Recommended 60 Watts Max frosted bulb.  
USE LED BULBS FOR EXTENDED USE  
This fixture is Damp rated

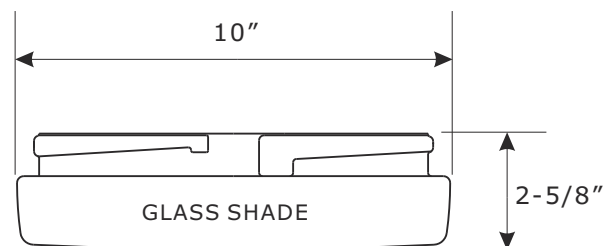
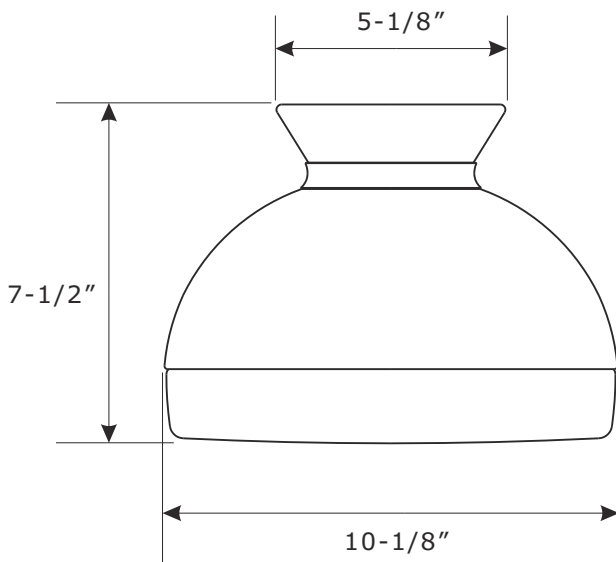


### How to install

1. Install the mounting screws into the matching holes in the mounting bar. Secure the mounting bar to the outlet box with the outlet box screws.
2. Raise ceiling pan allowing the mounting screws to protrude through the holes in the ceiling pan, and secure with the cap nut.
3. Install the bulb(not included) into the socket.
4. Raise the glass shade to the metal shade and align the stud with the slot, then twist the glass shade clockwise to secure it.

### HOW TO REPLACE THE BULB

1. Twist the glass shade counter clockwise to take it off for bulb change.



**WARNING:** This product can expose you to Lead which is known to the state of California to cause cancer and/or birth defects or reproductive harm. For more information go to [www.P65Warnings.ca.gov](http://www.P65Warnings.ca.gov)



## ASSEMBLY INSTRUCTION MODEL #GID-4000-MK-VG

### Part Number \_\_\_\_\_

#### Part Numbers

- A. (1)-Mounting hardware
- B. (1)-Ceiling pan W5-1/8"xH1-3/4"
- C. (2)-Cap nut
- D. (1)-Glass shade #XRF4000GLA10IN

