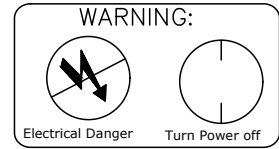


# CRYSTORAMA

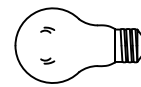
LIGHTING THE WAY FOR SIXTY YEARS



ASSEMBLY INSTRUCTION MODEL #FUL-901-BK

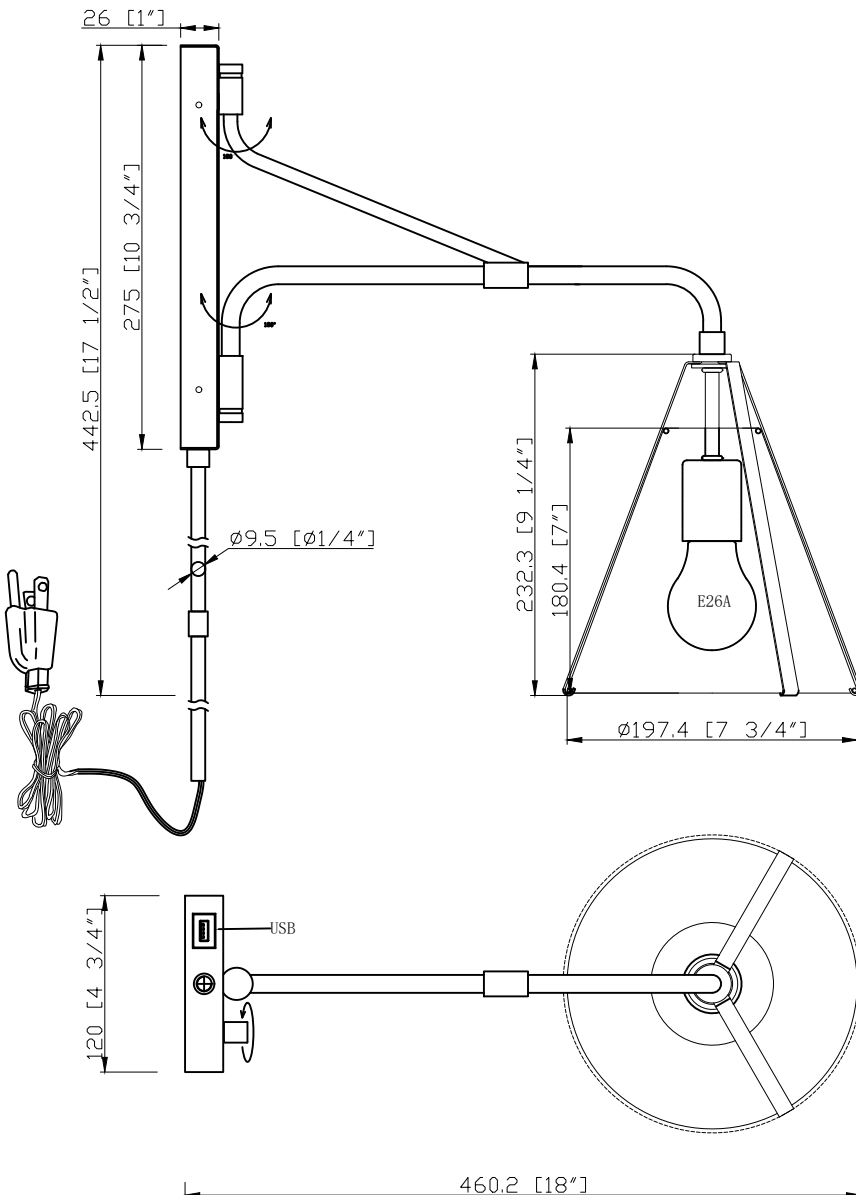


All electrical components must be installed by a licensed electrician in accordance with the National Electric Code and the appropriate local electrical codes.



You will need 1 – Med. Bulb  
40 Watts Recommended 60 Watts Max

USE LED BULBS FOR EXTENDED USE  
This fixture is Dry rated.



#### How to Install

This is a convertible piece. Installation steps for both Hard-Wire and Plug-In options are below. For Hard-wired installation, please proceed as follow:

1. Remove the plug cord from the fixture wires.
2. Remove the Nut from the bottom of Back Plate and cover the hole with the Plug.
3. Place the backplate over the outlet box and mark four points on it with same distance as between the holes on the Back Plate.
4. Drill the holes at the marked points and insert the anchors into the holes in the wall, Attach the mounting plate onto the wall using the anchor screws.
5. Loosen the bead ring to raise the check ring up. Place the metal bands over the top plate and cap them with the check ring. Secure with the bead ring. (please do not tighten it until the shade is installed)
6. Insert the fabric shade from the bottom of metal bands to allow the metal band to hook the shade. Adjust the metal band to make them space out equally and tighten the bead ring. Please make sure the shade seam hidden behind one of the metal bands.
7. Install the bulb onto the socket.

For Plug-in installation, please proceed as follows.

1. Screw the Rod to the bottom of Back Plate.
2. Determine the desired location you'd like to put this fixture on the wall, and mark four points on it with same distance as between the holes on the Back Plate.
3. Drill the holes at the marked points and insert the anchors into the holes in the wall, Attach the mounting plate onto the wall using the anchor screws.
4. Follow the same installation from step #5 to step #7 as above.



**WARNING:** This product can expose you to Lead, which is known to the State of California to cause cancer and/or birth defects or reproductive harm. For more information go to [www.P65Warnings.ca.gov](http://www.P65Warnings.ca.gov)

# CRYSTORAMA

LIGHTING THE WAY FOR SIXTY YEARS



ASSEMBLY INSTRUCTION MODEL #FUL-901-BK

## Part Number

### Part Numbers

- A. (1)-Mounting hardware
- B. (1)-Back Plate  
(XAR901BKBKP4.75IN)
- C. (1)- arm
- D. (3)- shade Ø7.75"\*H7"  
(XAR901SHA7.75IN)
- E. (1)-bead ring
- F. (1)-check ring
- G. (1)-NUT
- H. (1)-Plug
- I. (2)-Rod;Ø3/8"\*12"H  
(XAR901BKROD12IN)
- J. (3)-Metal band
- K. (1)-USB(Type C)
- L. (1)-Dimmer Knob
- M.(1)-top plate
- N. (4)-Wall anchor
- O.(4)-anchor screw

