

CRYSTORAMA

LIGHTING THE WAY FOR SIXTY YEARS



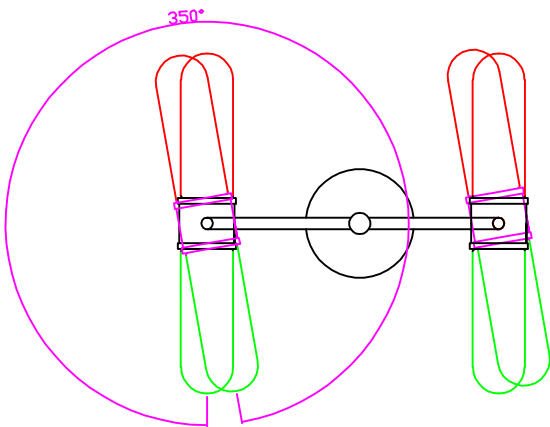
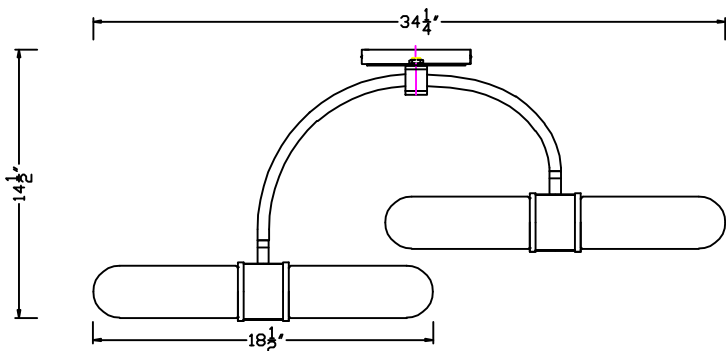
ASSEMBLY INSTRUCTION MODEL# CAP-8514-MK-TG



All electrical components must be installed by a licensed electrician in accordance with the National Electric Code and the appropriate local electrical codes.

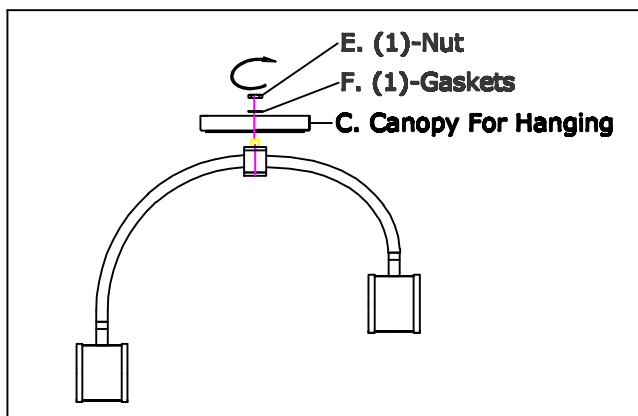


Included 4 - Med T10 LED Bulb
6 Watts Recommended
Use LED Bulbs for Extended Use
The Fixture is Damp Rated



How to install

1. Unscrew the nut "E" and gaskets "F" from the top of the lamp body and fix the ceiling canopy "C" to the top of the lamp body with gaskets "F" and nut "E".
2. Install the mounting bar to the outlet box using two outlet box screws.
3. Install canopy onto the mounting plate, and secure with the screws.
4. Install the bulb into the socket (bulb included).
5. Screw the glass clockwise into the metal band and lock it in place.



Note:
The metal band can be rotated up to 350 degrees.

WARNING: This product can expose you to Lead which is known to the state of California to cause cancer and/or birth defects or reproductive harm. For more

CRYSTORAMA

LIGHTING THE WAY FOR SIXTY YEARS

ASSEMBLY INSTRUCTION MODEL# CAP-8514-MK-TG



Crystorama.com

Part Number

- A. (1)-Mounting Hardware
- B. (1)-Mounting plate
- C. (1)-Canopy ; W6"XH0.6"(XNO8513MKCAN6IN)
- D. (3)-Screw;8/32"X10MM
- E. (1)-Nut
- F. (1)-Gaskets
- G. (4)-Glass ;W2.8"XH8.7" (XNO8511GLA8.75IN)
- H (4)-Bulb;T10X185mm,LED6W
- I. Metal Band

