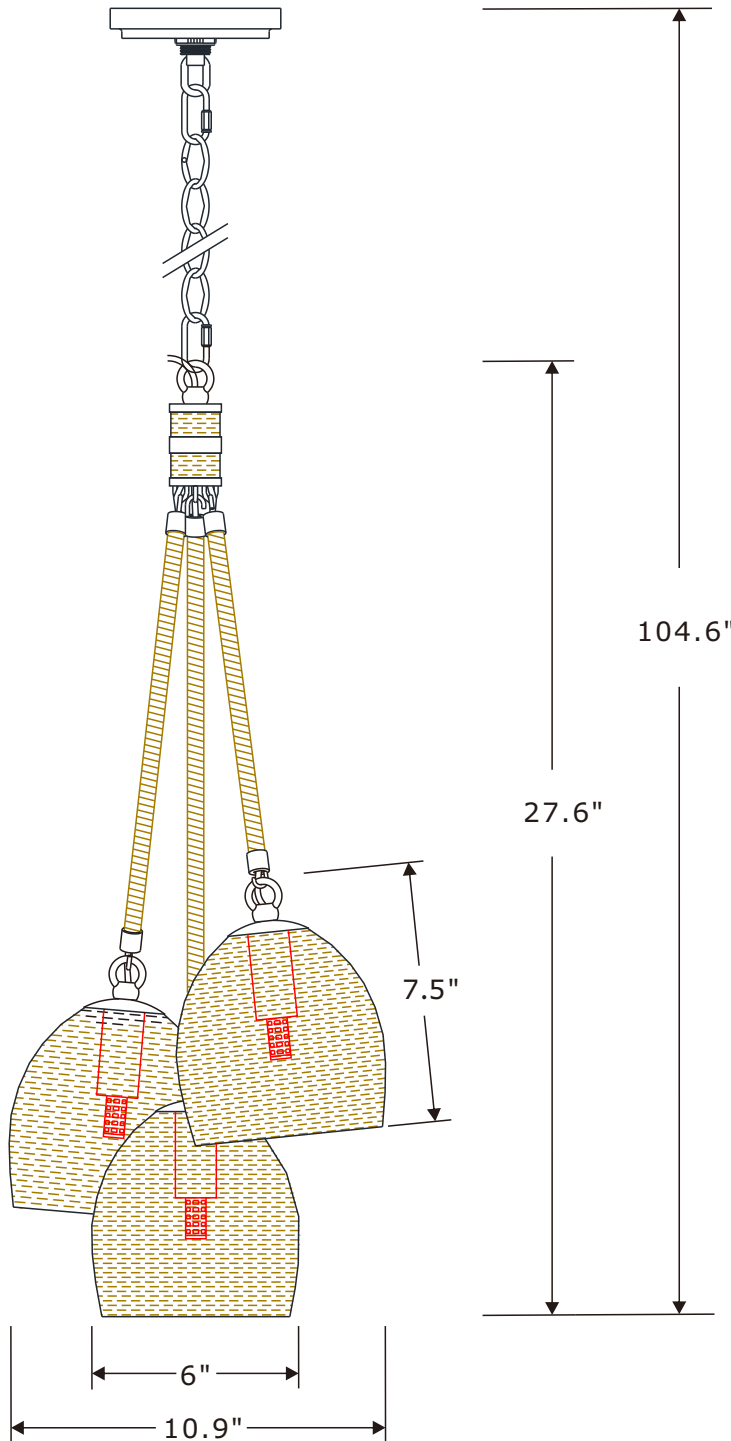


# CRYSTORAMA

LIGHTING THE WAY FOR SIXTY YEARS



## ASSEMBLY INSTRUCTION MODEL # JAC-10507-SG



All electrical components must be installed by a licensed electrician in accordance with the National Electric Code and the appropriate local electrical codes.



You will need 3 -LED G9 Bulb  
3.5 Watts Max (Included)  
USE LED BULBS FOR EXTENDED USE  
THIS FIXTURE IS DAMP RATED

### How to Install

1. Take one rod and attach one end to the top of the frame and the other end onto the distributor box. Repeat for the other two rods.
2. Decide the preferred hanging height and choose the correct chain length needed.
3. Install the mounting strap onto the outlet box.
4. Raise the fixture up to the ceiling, and do the wire connections. Secure the canopy to the ceiling with the collar ring.
5. Install the bulb.

**WARNING:** This product can expose you to Lead, which is known to the State of California to cause cancer and/or birth defects or reproductive harm. For more information go to [www.P65Warnings.ca.gov](http://www.P65Warnings.ca.gov).

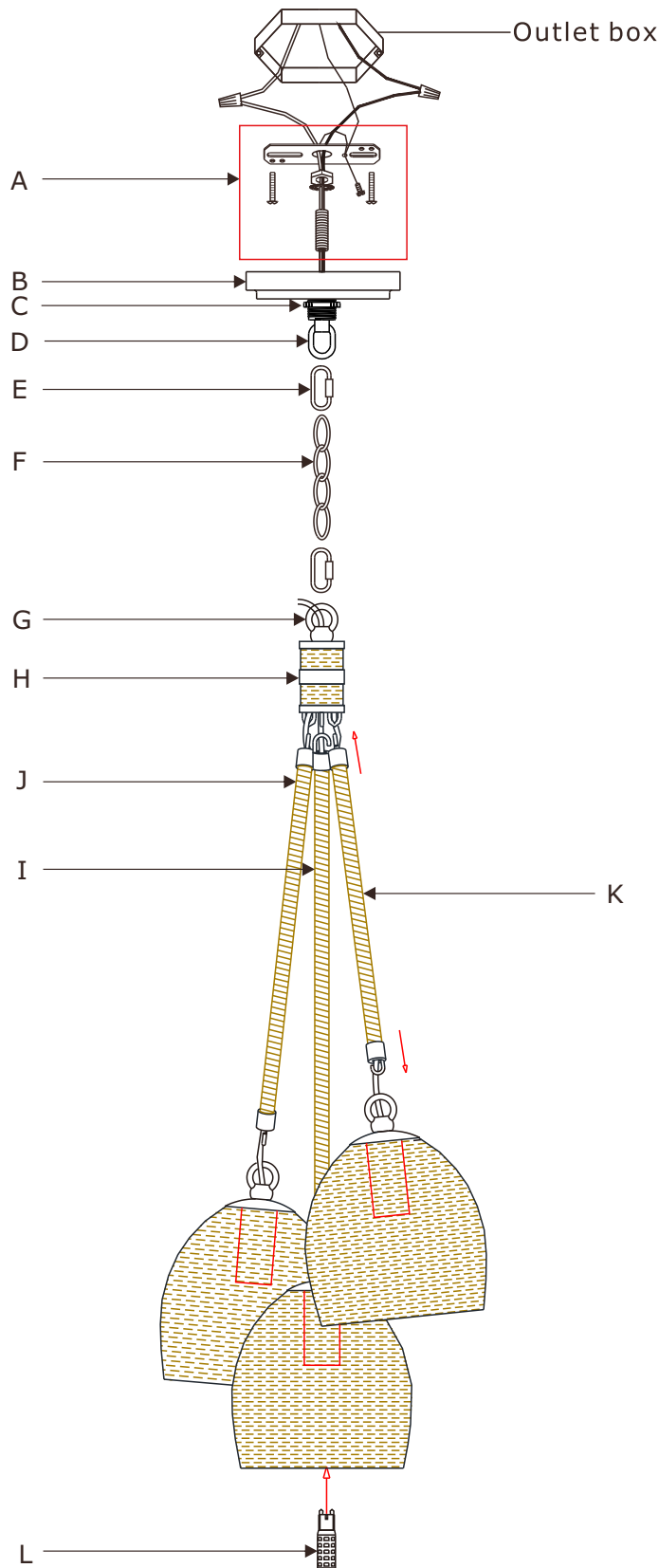
# CRYSTORAMA

LIGHTING THE WAY FOR SIXTY YEARS



Crystorama.com

PART NUMBER MODEL # JAC-10507-SG



## Part Number

- A. (1) - Mounting Hardware
- B. (1) - Canopy(W4.92",H0.87") #XRE10502SGCAN4.92IN
- C. (1) - Collar Ring
- D. (1) - Collar Loop
- E. (2) - Quick Link(4mm)
- F. (1) - Hanging Chain(72",3.2mm) #XRE10502SGCHA3.2MM
- G.(1) - Fixture Loop
- H.(1) - Distributor box
- I. (1) - Long Rod #XRE10507SGROD15IN
- J. (1) - Medium Rod #XRE10507SGROD12IN
- K.(1) - Short Rod #XRE10507SGROD9IN
- L. (3) - LED G9 Bulb