

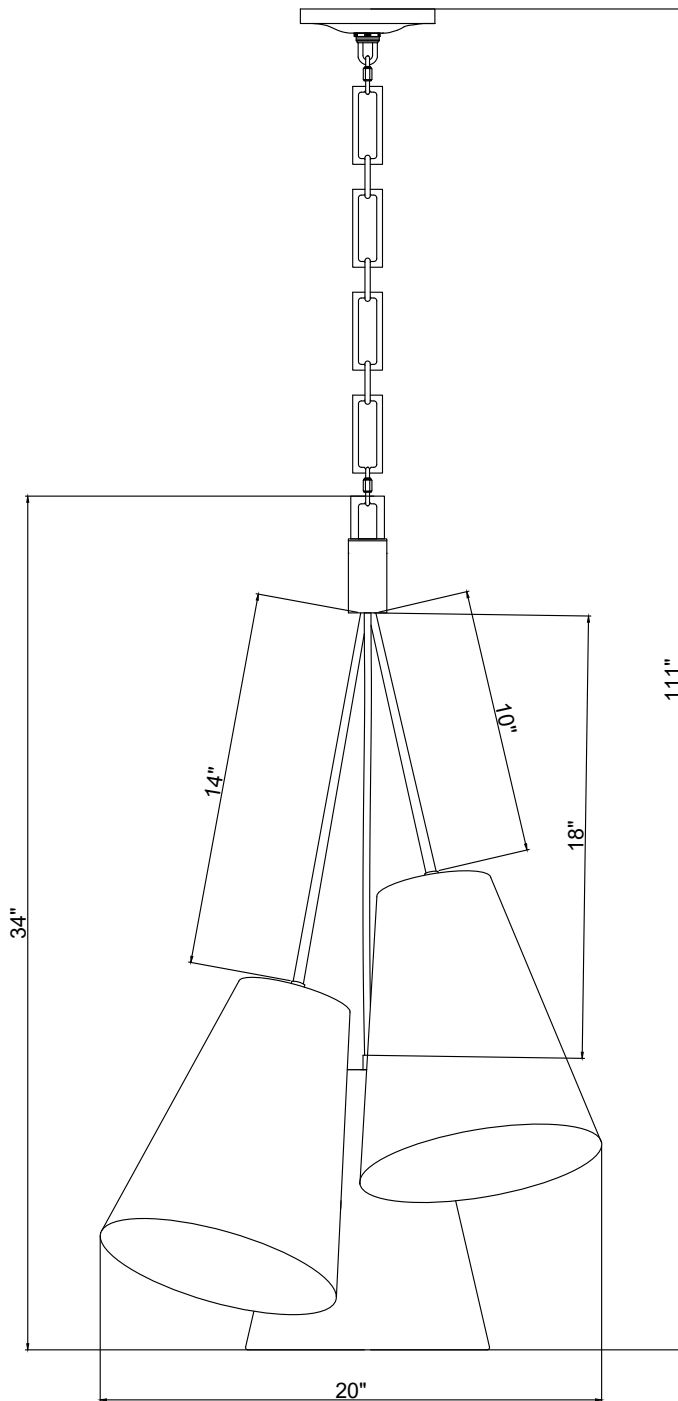
CRYSTORAMA

LIGHTING THE WAY FOR SIXTY YEARS

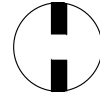


Crystorama.com

ASSEMBLY INSTRUCTION MODEL #8684-MT-GA

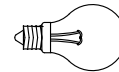


WARNING:



Electrical Danger Turn Power Off

All electrical components must be installed by a licensed electrician in accordance with the National Electric Code and the appropriate local electrical codes



You will need 3- Medium Base Bulb
40 Watts recommended 60 Watts Max.

USE LED BULBS FOR EXTENDED USE

The fixture is Damp rated

How to Install

Important:

To prevent the shade from being scratched during the installation of the fixture, Please do not remove the plastic wrap around the metal shade until the fixture is installed onto the ceiling.

1. Decide the desired hanging height and adjust the chain to the correct length.
2. Raise the fixture up and do the wire connection. Attach the canopy over the mounting bar and secure with collar ring.
3. Remove the plastic wrap around the metal shade carefully. Pay extra attention to make sure the metal shade is not scratched by another.
4. Install the recommended bulbs (not included) into each socket.



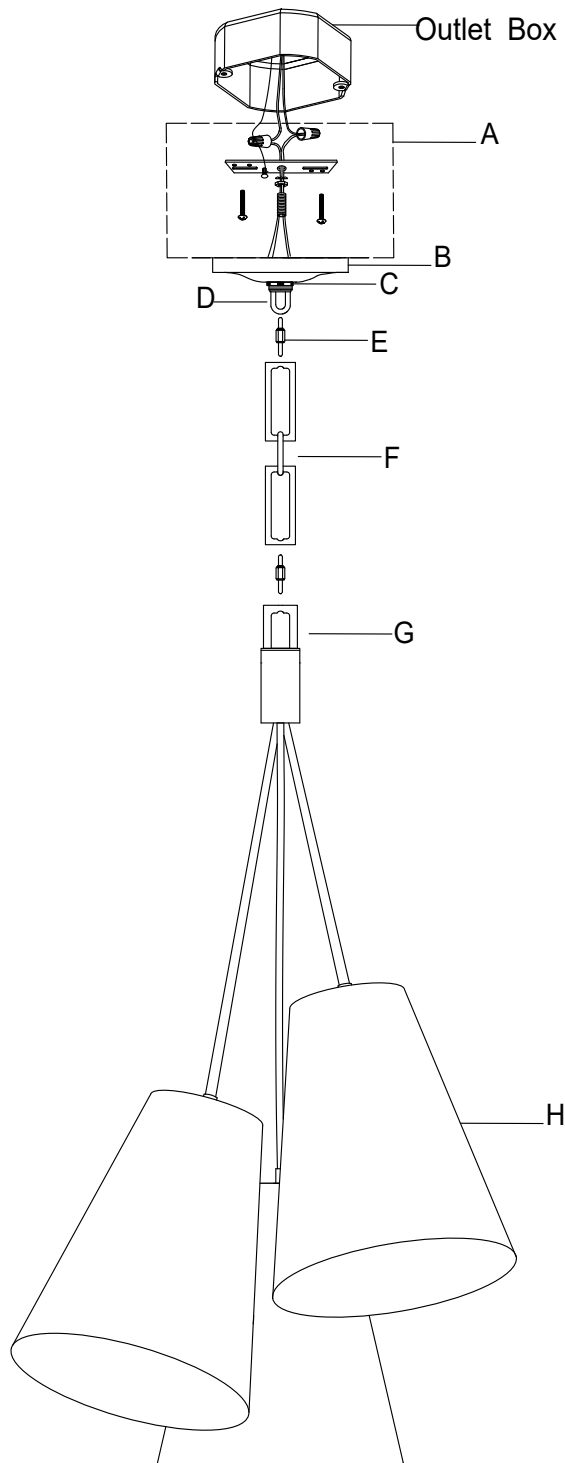
WARNING: This product can expose you to Lead, which is known to the State of California to cause cancer and/or birth defects or reproductive harm. For more information go to www.p65warnings.ca.gov.

CRYSTORAMA

LIGHTING THE WAY FOR SIXTY YEARS



ASSEMBLY INSTRUCTION MODEL #8684-MT-GA



Part Number

Part Numbers-For Hanging

- A. (1)-Mounting hardware
 - Wire Connector × 2.
 - Mounting Bar × 1.
 - Mounting Screw × 2.
 - Washer × 1.
 - Nut × 1.
 - Threaded × 1.
- B. (1)-Canopy (W5.5"xH1")
 - XSN8680MTCAN5.5IN
- C. (1)-Collar Ring
- D. (1)-Collar Loop
- E. (2)-Quick Link
- F. (1)-Chain(72")
 - Rectangular(8.0mm)x16
 - Oval(4.0mm)x15
 - XSN8680MTCHA8.0MM
- G. (1)-Loop assembly
 - Loop
 - Distributor box
- H. (3)-Metal Shade; Ø10"x11.4"H
 - Socket x3.
 - XSN8684MTGASHA10IN