

CRYSTORAMA

LIGHTING THE WAY FOR SIXTY YEARS



Crystorama.com

ASSEMBLY INSTRUCTION MODEL #ASP-8912-MK

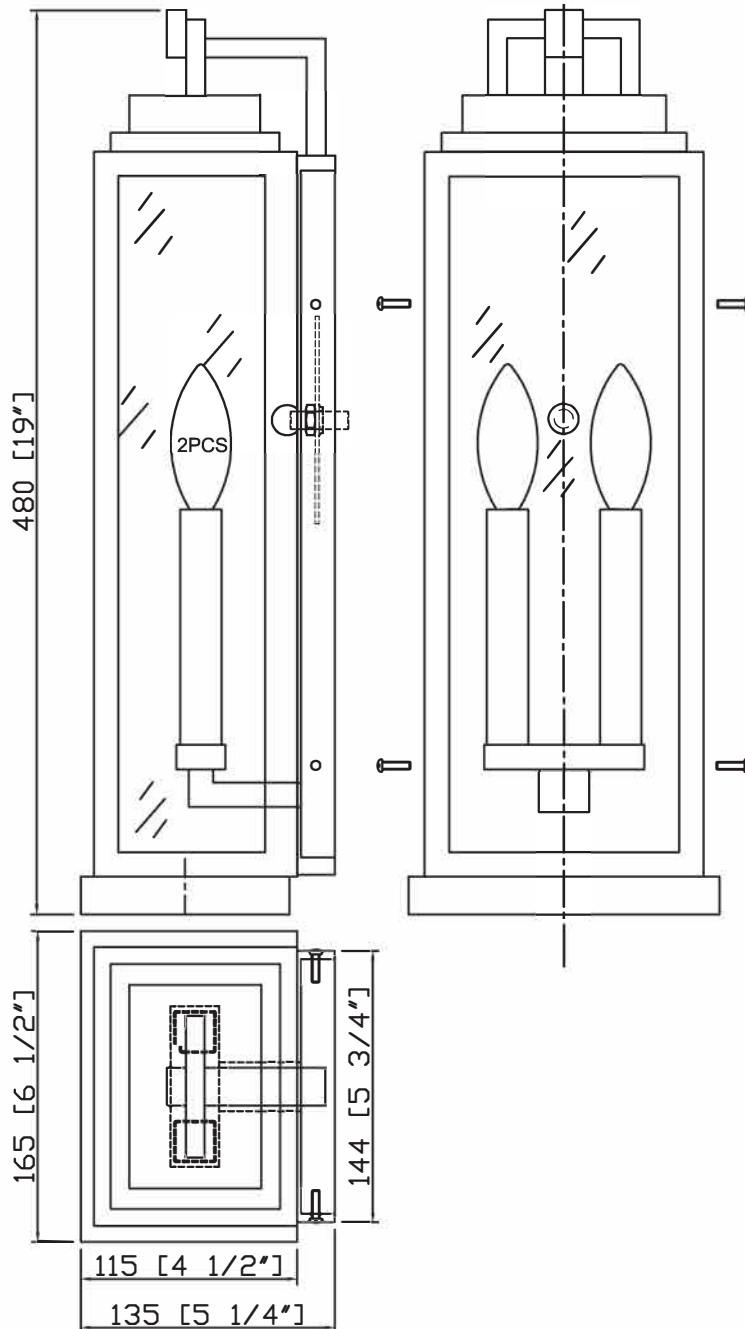


All electrical components must be installed by a licensed electrician in accordance with the National Electric Code and the appropriate local electrical codes.



You will need 2 – Cand. Bulb
40 Watts Recommended 60 Watts Max
USE LED BULBS FOR EXTENDED USE

THIS FIXTURE IS WET RATED



How to Install

1. Install the mounting bar onto the outlet box using the two outlet box screws.
2. Loosen the backplate with socket from the frame and attach it onto the mounting bar using the ball nut. Place the candle sleeve over the socket.
3. Install the glass panels onto the frame and secure with the clips on the bottom of the frame.
4. Insert the metal cover through the bottom of the fixture and push it until the clips on the cover protrude through the holes on the top of the frame. Press firmly to secure the glass.
5. Install the frame onto the backplate and secure with the screws.
6. Place the candle sleeve over the socket and install the bulb onto the socket

WARNING: This product can expose you to Lead, which is known to the State of California to cause cancer and/or birth defects or reproductive harm. For more information go to www.P65Warnings.ca.gov

CRYSTORAMA

LIGHTING THE WAY FOR SIXTY YEARS



Crystorama.com

ASSEMBLY INSTRUCTION MODEL #ASP-8912-MK

Part Number

Part Numbers

- A. (1)-Mounting hardware
- B. (1)-Backplate with socket
- C. (1)-Ball nut XAR8911MKBANUT
- D. (2)-5"Candle Sleeve White
XAR8912WHCDL5IN
(2)-5"Candle sleeve Gold
XAR8912LGCDL5IN
- E. (1)-Frame
- F. (1)-Front Glass Panel W5.5**H15"
XAR8912GLA5.5IN
- G. (2)-Side Glass Panel W3.75**H15"
XAR8912GLA3.75IN
- H. (1)-Metal Cover.

