

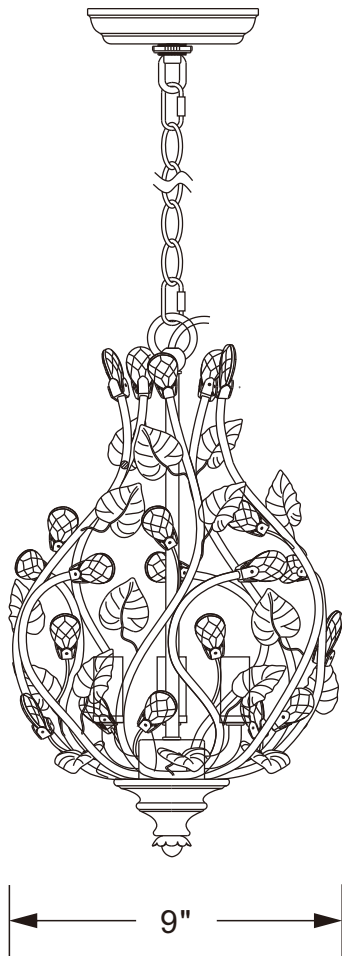
CRYSTORAMA

LIGHTING THE WAY FOR SIXTY YEARS



Crystorama.com

ASSEMBLY INSTRUCTION MODEL # 4845-CT



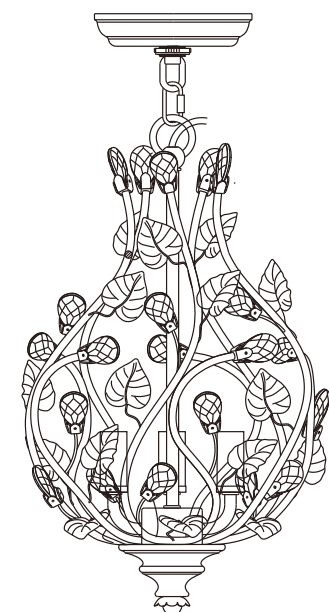
All electrical components must be installed by a licensed electrician in accordance with the National Electric Code and the appropriate local electrical codes.



You will need 3 -Candelabra Base Bulb
40 Watts Recommended 60 Watts Max.
USE LED BULBS FOR EXTENDED USE
THIS FIXTURE IS DAMP RATED

How to Install

- 1.Attach the mounting strap onto the outlet box.
- 2.Decide the preferred hanging height and choose the correct length of chain needed.
- 3.Hook one of chain on to the fixture loop and the end onto the screw collar loop.
- 4.when the wire connection is done,raise the canopy up over the outlet box and secure with the screw collar ring.
- 5.Move the stem with a sticker to install the bulb and then move it back.



How to change the bulb:

Move the stem with a sticker to replace the bulb.

WARNING: This product can expose you to Lead, which is known to the State of California to cause cancer and/or birth defects or reproductive harm. For more information go to www.P65Warnings.ca.gov.

Crystal Key: A= 25PCS

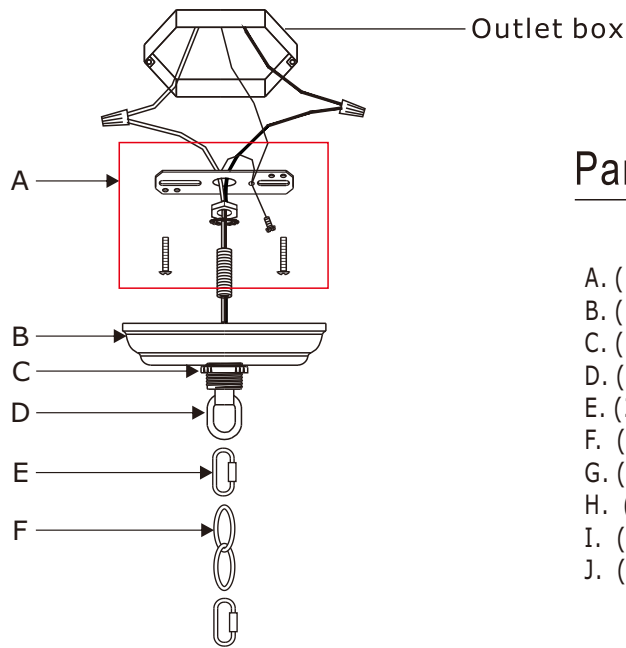
CRYSTORAMA

LIGHTING THE WAY FOR SIXTY YEARS



Crystorama.com

PART NUMBER MODEL # 4845-CT



Part Number

- A. (1) - Mounting Hardware
- B. (1) - Canopy(W5",H1") #XRE4845CTCAN5IN
- C. (1) - Collar Ring
- D. (1) - Collar Loop
- E. (2) - Quick Link
- F. (1) - Hanging Chain(72",3.2mm) #XRE4843CTCHA3.2MM
- G. (3) - Candle sleeve(W0.87",H1.97") #XRE4843CTCDL2IN
- H. (1) - Bottom font
- I. (1) - metal dish
- J. (1) - Finial #XRE4845CTFINAL

