

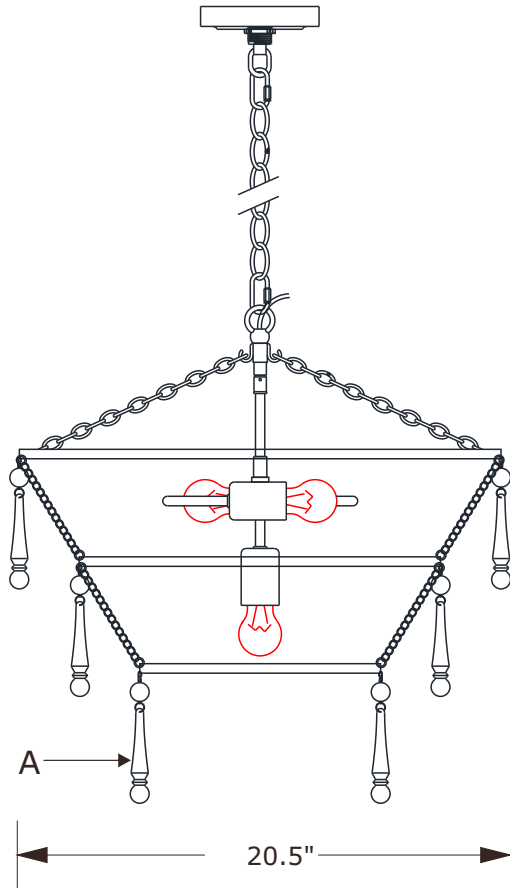
CRYSTORAMA


LIGHTING THE WAY FOR SIXTY YEARS



Crystorama.com

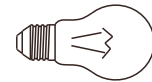
ASSEMBLY INSTRUCTION MODEL # TIA-7103-MT



A =  Ø20+Ø20XL100 130Sets



All electrical components must be installed by a licensed electrician in accordance with the National Electric Code and the appropriate local electrical codes.



You will need 3 -Medium Bulb

40 Watts Recommended 60 Watts Max.

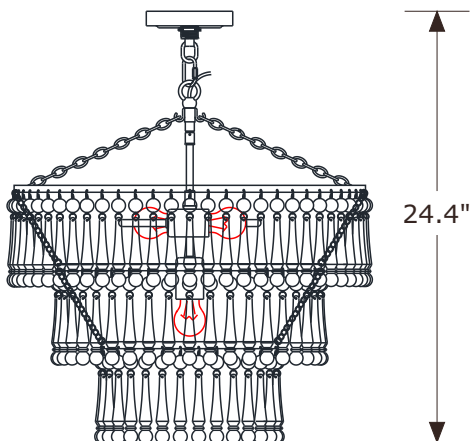
USE LED BULBS FOR EXTENDED USE


THIS FIXTURE IS DAMP RATED

How to Install

1. Attach the center stem onto the wiring house.
2. Attach the top of the center stem onto the swivel.
3. Hook one end of the decorative chain onto the frame and the other end onto the hook kit.
4. Insert recommended bulb (not included).
5. Dress the fixture with wood bead as illustrated.

The minimum hanging height:



 **WARNING:** This product can expose you to Lead, which is known to the State of California to cause cancer and/or birth defects or reproductive harm. For more information go to www.P65Warnings.ca.gov.

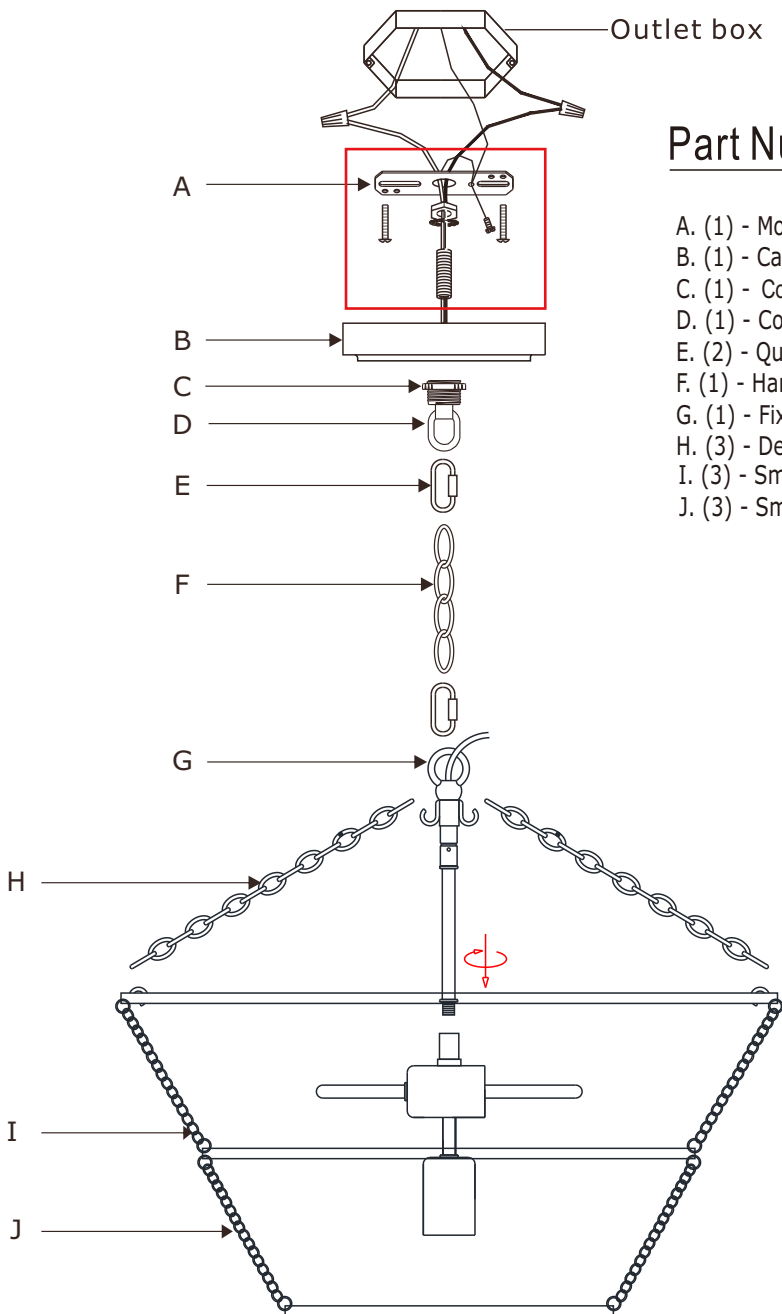
CRYSTORAMA

LIGHTING THE WAY FOR SIXTY YEARS



Crystorama.com

PART NUMBER MODEL # TIA-7103-MT



Part Number

- A. (1) - Mounting Hardware
- B. (1) - Canopy(W4.92",H0.9")#XRE7100MTCAN4.92IN
- C. (1) - Collar Ring
- D. (1) - Collar Loop #XRE7100MTLOOP
- E. (2) - Quick Link
- F. (1) - Hanging Chain(72",4mm) #XRE7100MTCHA4MM
- G. (1) - Fixture Loop
- H. (3) - Decorative Chains(each9.45",3mm) #XRE7103MTDECHA9.45IN
- I. (3) - Small Chain1(each4.61") #XRE7100MTSMCHA4.33IN
- J. (3) - Small Chain2(each4.92") #XRE7103MTSMCHA4.92IN