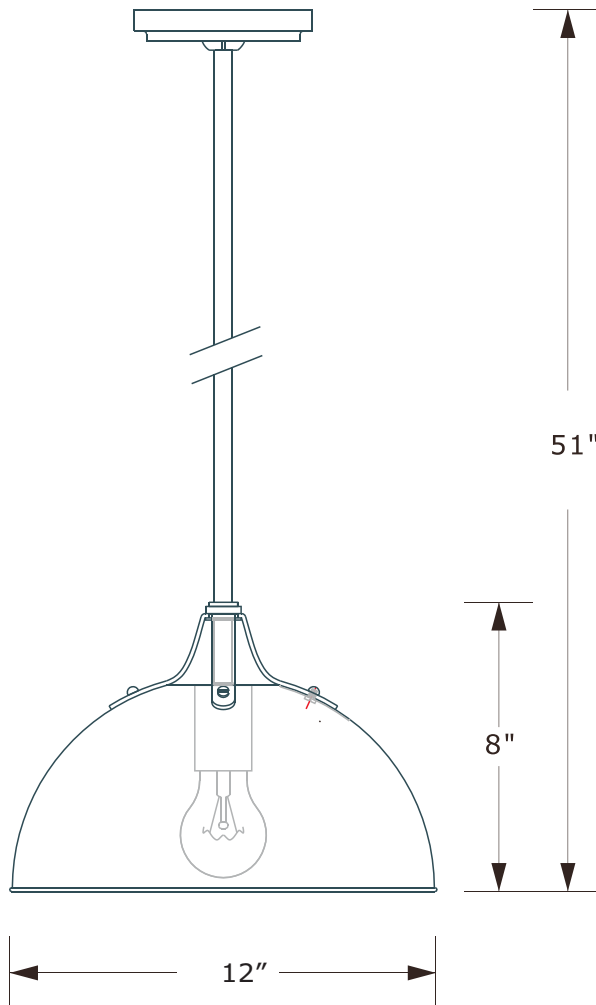




## ASSEMBLY INSTRUCTION MODEL # SOT-18013-MK-GA



All electrical components must be installed by a licensed electrician in accordance with the National Electric Code and the appropriate local electrical codes.



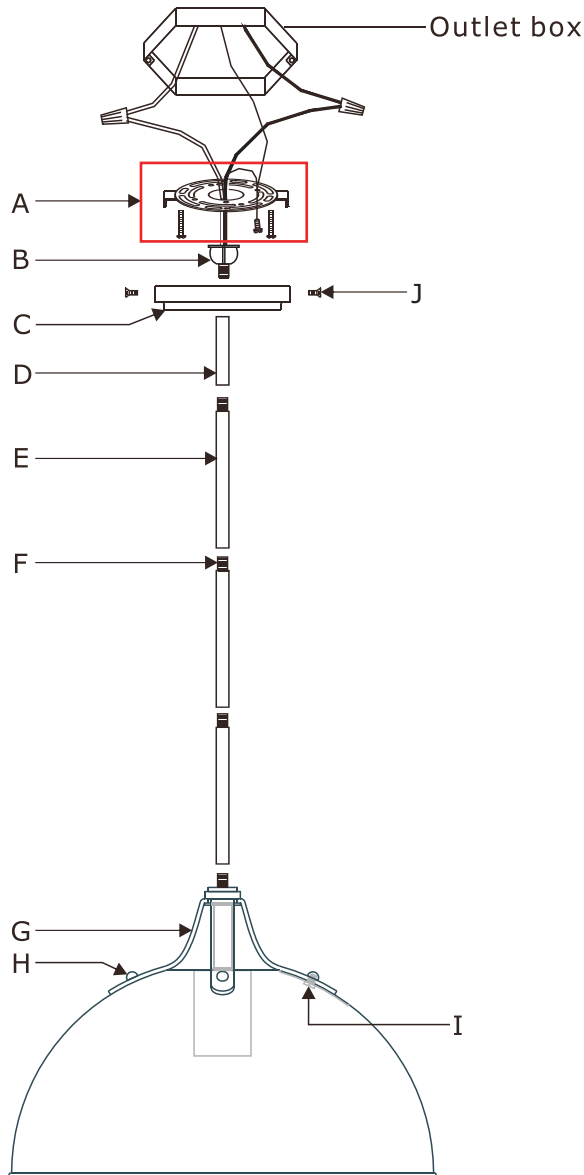
You will need 1 -Candelabra Base Bulb  
40 Watts Recommended 60 Watts Max.  
USE LED BULBS FOR EXTENDED USE  
THIS FIXTURE IS DAMP RATED

### How to Install

1. Decide the preferred hanging height and choose the correct length of rod needed.
2. Feed the wire through the stems and connect the stems together.
3. Screw one end of the stem assembly onto the top of the frame. Slip the canopy over the stem assembly and screw the ball swivel onto it.
4. Install the mounting plate onto the outlet box.
5. Raise the fixture up onto the ceiling and do the wire connection. Secure the canopy with the canopy screw. Make sure the slots on the ball swivel align with the nipple on the canopy before tightening the canopy using a screw.
6. Install the bulb onto the socket.



PART NUMBER MODEL # SOT-18013-MK-GA



## Part Number

- A. (1) - Mounting Hardware
- B. (1) - Ball Swivel
- C. (1) - Canopy(W4.9", H0.9") #XRE18013MKGACAN4.9IN
- D. (1) - Hanging Stem(6", 12.70mm) #XRE18013MKGASTEM6IN
- E. (3) - Hanging Stem(12", 12.70mm) #XRE18013MKGASTEM12IN
- F. (4) - Threaded Nipple
- G. (1) - Scroll Arm Kit
- H. (4) - Finial #XRE18013MKGAFIN
- I. (4) - Screw
- J. (2) - Canopy Screw