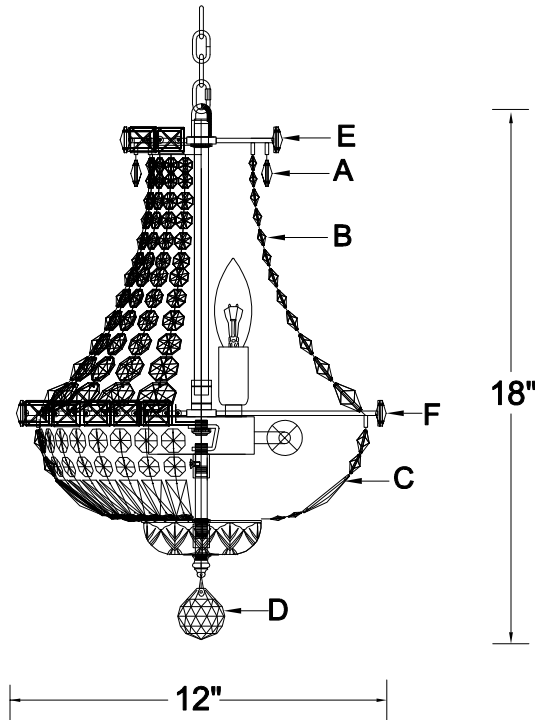


CRYSTORAMA



LIGHTING THE WAY FOR SIXTY YEARS

ASSEMBLY INSTRUCTION MODEL# ROS-A1006-CH-CL-MWP



All electrical components must be installed by a licensed electrician in accordance with the National Electric Code and the appropriate local electrical codes.



You will need 5-Candelabra Base Bulb

40 Watts Recommended 60 Watts Max

USE LED BULBS FOR EXTENDED USE

The fixture is dry rated

How to Install

1. Attach the top rod kit onto the coupler on the top of wiring box.
2. Attach the bottom rod kit onto the coupler on the bottom of wiring box.
3. Do not install the glass dish before the crystal strands "C" are dressed.
4. After safely attaching fixture into outlet box, install bulbs (not included) and proceed to connecting the power.
5. Dress the crystal sets on the frame. Please hang the crystal strand "B" before crystal "A".
6. Place the glass dish and small metal dish over the threaded pipe, secure it with ball finial.
7. Hang the bottom crystal ball "D" on the finial.

DETAILED ILLUSTRATION



Crystal Sets

- A. 15Sets. (1)22mm Square
- B. 28Sets. (1)10mm+(3)12mm+(2)14mm+(1)16mm+(1)18mm
(1)20mm+(1)22mm+(1)24mm
- C. 36Sets (1)20mm+(1)18mm+(1)50mm Baguette
+(1)12mm+(1)10mm
- D. 1Piece AS8-30mm
- E. 15Sets. (1)22mm Square
- F. 36Sets. (1)22mm Square

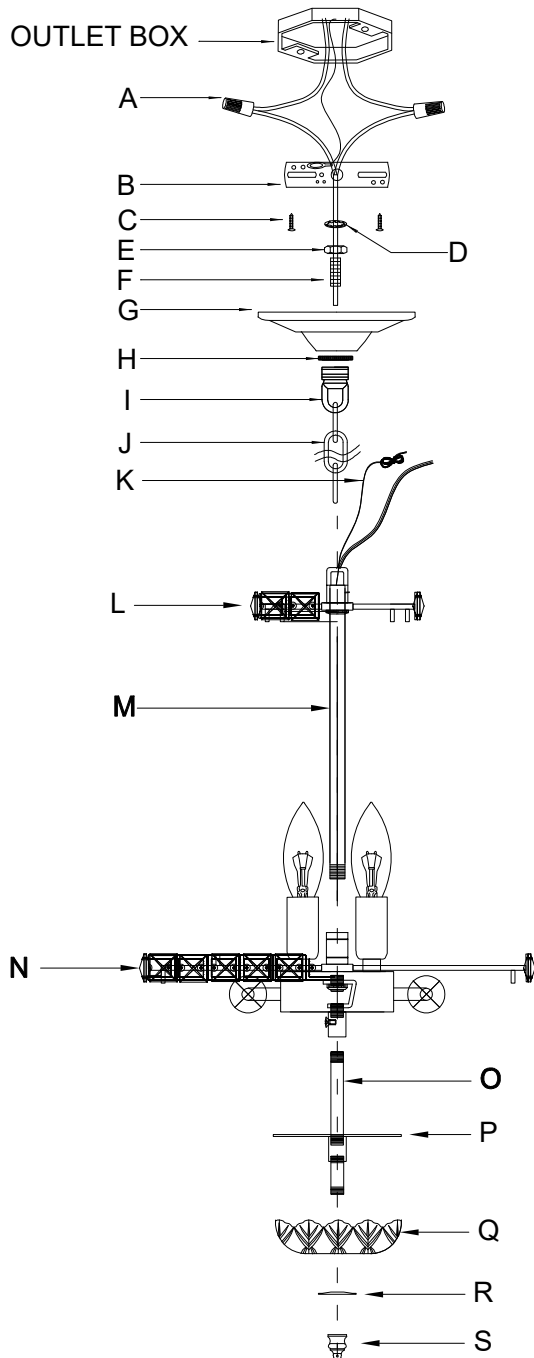
WARNING: This product can expose you to Lead, which is known to the State of California to cause cancer and/or birth defects or reproductive harm. For more information go to www.P65Warnings.ca.gov

CRYSTORAMA



LIGHTING THE WAY FOR SIXTY YEARS

PART NUMBER # ROS-A1006-CH-CL-MWP



Part Number

Part Numbers

- A. (2)-Wire Connector
- B. (1)-Mounting Bar
- C. (2)-Outlet Box Screws
- D. (1)-Lock Washer
- E. (1)-Hex Nut
- F. (1)-Nipple
- G. (1)-Canopy; w5" x h1.25" (XFB1006CHCAN5IN)
- H. (1)-Collar Ring
- I. (1)-Collar Loop
- J. (1)-Chain; 72", 4mm (XFB1006CHCHA5MM)
- K. (1)-Ground Wire
- L. (1)-Top Band Ring
- M. (1)-Top Stem; 14", 12MM thickness (XFB1006CHTOPSTEM14IN)
- N. (1)-Band Ring
- O. (1)-Bottom Stem; 2.75", 10MM thickness (XFB1006CHBOSTEM2.75IN)
- P. (1)-Metal Plate
- Q. (1)-Glass Dish; Ø4", 11mm hole (XFB1006DIBOB4IN)
- R. (1)-Small Metal Dish
- S. (1)-Finial (XFB1006CHFIN)

PART BAG I : Includes Parts A, C

PART BAG II : Includes Parts B, D, E, F, H, I