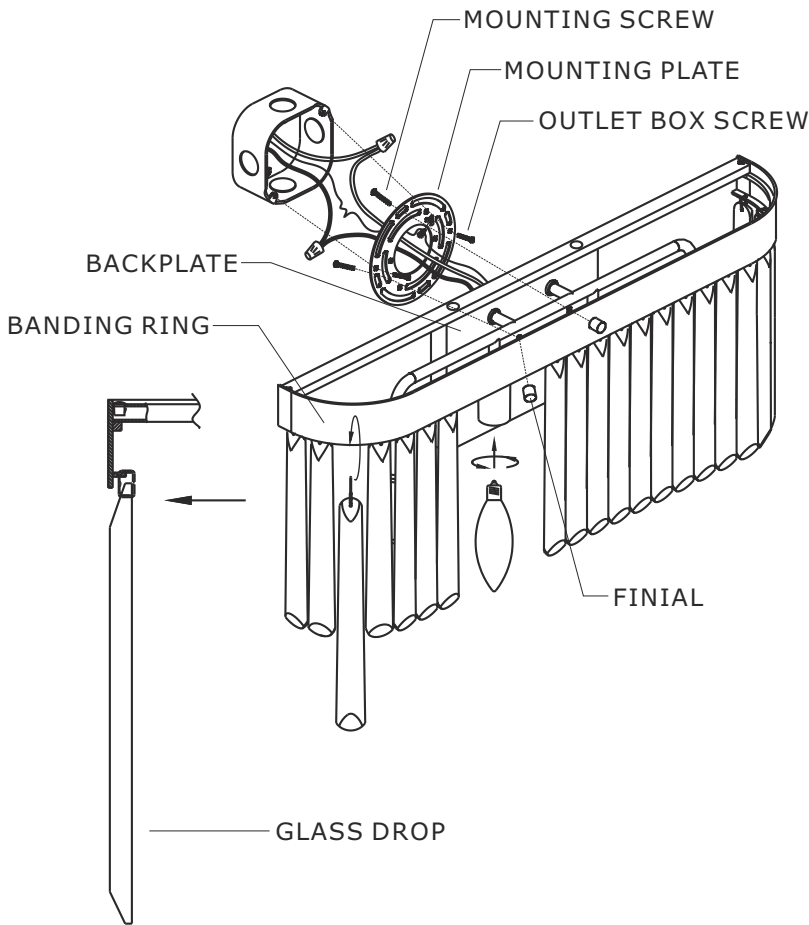


CRYSTORAMA

LIGHTING THE WAY FOR SIXTY YEARS



ASSEMBLY INSTRUCTION MODEL#EMO-5403-BF



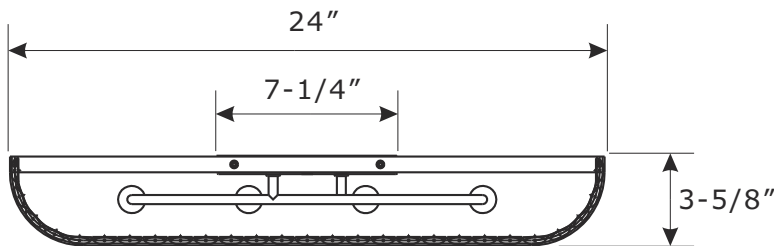
All electrical components must be installed by a licensed electrician in accordance with the National Electric Code and the appropriate local electrical codes.



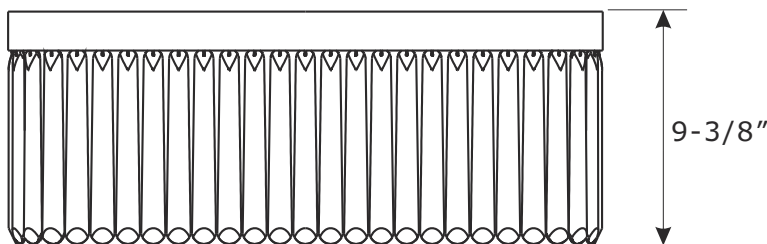
You will need 4- Candelabra Base Bulb
40 Watts Recommended 60 Watts Max.
USE LED BULBS FOR EXTENDED USE
This fixture is Damp rated

How to install

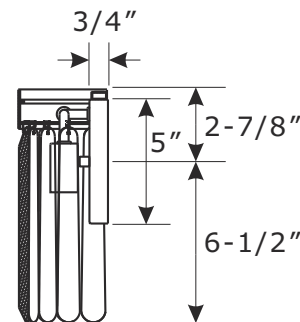
1. Thread the mounting screws into the matching holes in the mounting plate. Secure the mounting plate to outlet box with the outlet box screws.
2. Install backplate onto the mounting plate, and secure with the finials.
3. Install the bulb(not included) into the socket.
4. Hang glass drop to the banding ring.




TOP VIEW




FRONT VIEW



SIDE VIEW

E =  (W1"xL7-7/8")x27sets

 WARNING: This product can expose you to Lead which is known to the state of California to cause cancer and/or birth defects or reproductive harm. For more information go to www.P65Warnings.ca.gov



ASSEMBLY INSTRUCTION MODEL #EMO-5403-BF

Part Number

Part Numbers

- A. (1)-Mounting hardware
- B. (1)-Backplate L7-1/4"xW5"xH3/4" #XRF5403BFBKP7.25IN
- C. (1)-Banding ring #XRF5403BFRING
- D. (2)-Finial
- E. (27)-Glass drop
- F. (4)-Socket

