

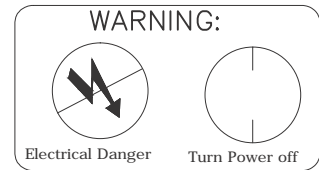
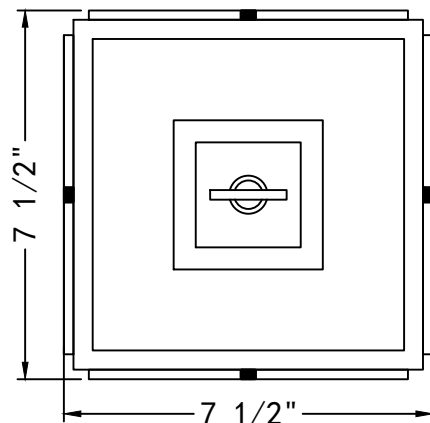
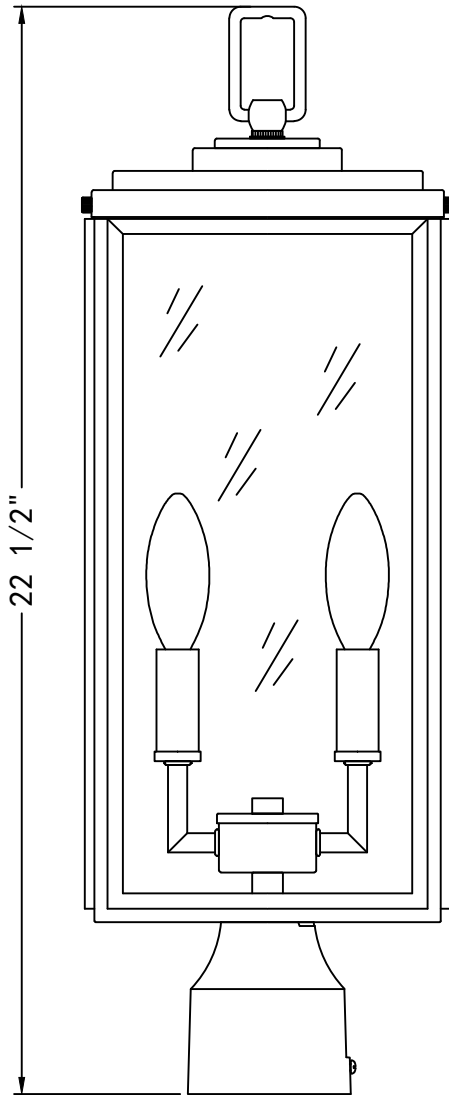
CRYSTORAMA

LIGHTING THE WAY FOR SIXTY YEARS

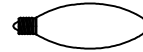


Crystorama.com

ASSEMBLY INSTRUCTION MODEL #BYR-80109-MK




All electrical components must be installed by a licensed electrician in accordance with the National Electric Code and the appropriate local electrical codes.



You will need 3- Candleabra Base Bulb
40 Watts Recommended 60 Watts Max.
USE LED BULBS FOR EXTENDED USE
THE FIXTURE IS WET RATED

How to install

1. Insert the glass panel into the channel on the bottom of cage and secure it with the clip. Note: Please don't bend the clip to secure the glass until all the glass panels are placed inside the cage.
2. Install the bulb (not included) into the socket.
3. Install the cage onto the top cap and secure with the cap nut.
4. Place the fixture over the post and secure with screws.

 **WARNING:** This product can expose you to Lead which is known to the state of California to cause cancer and/or birth defects or reproductive harm. For more information go to www.P65Warnings.ca.gov

CRYSTORAMA

LIGHTING THE WAY FOR SIXTY YEARS



Crystorama.com

ASSEMBLY INSTRUCTION MODEL# BYR-80109-MK

Part Number

Part Numbers

- A. (1)-Mounting hardware
- B. (1)-Loop; XAR80109MKLOOP
- C. (4)-Cap Nut
- D. (3)-Bulb (Not included)
- E. (3)-candlesleeve 7/8"X2 1/8" XAR80103MKCDL2.18IN
- F. (1)-Post fitter
- G. - (3)Screw
- H. (4)-Class panel 6 3/4"X14 1/4"X1/8"XAR80103GLA6.75IN
- I. (1)-Top cap

