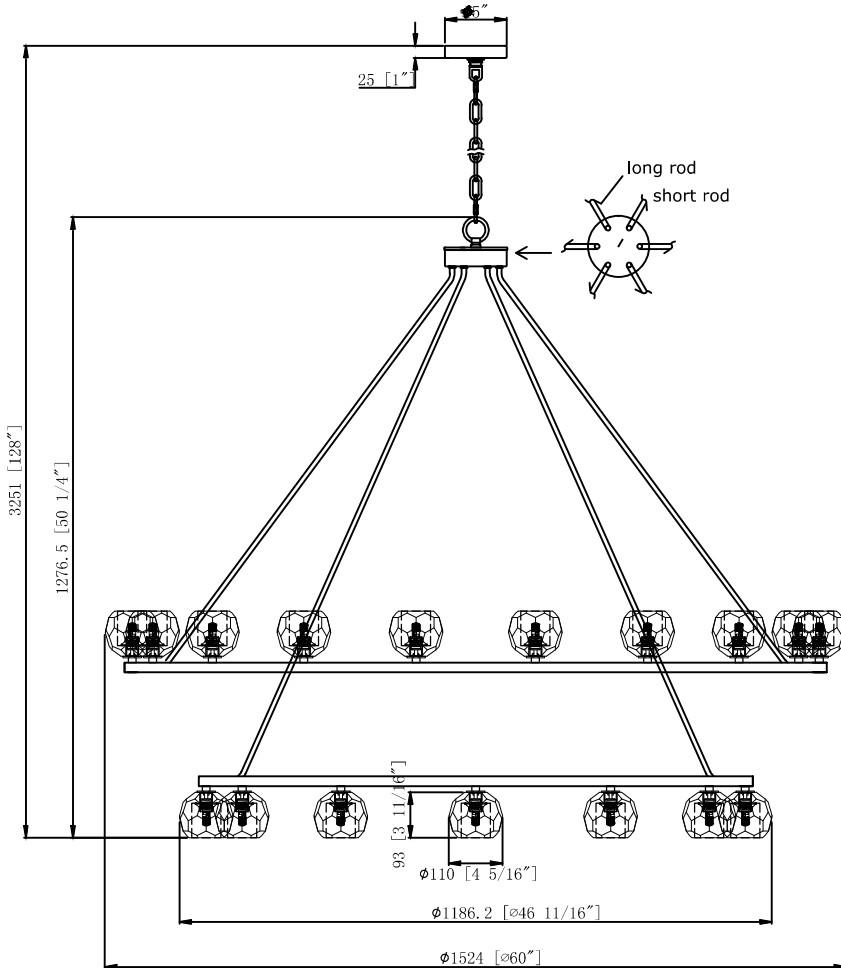


# CRYSTORAMA

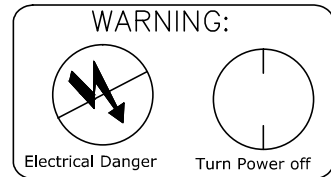
LIGHTING THE WAY FOR SIXTY YEARS



ASSEMBLY INSTRUCTION MODEL #ARA-10269-MK



The glass can be installed facing either up or down. Please decide the preferred direction before installing the rod onto the frame.



All electrical components must be installed by a licensed electrician in accordance with the National Electric Code and the appropriate local electrical codes.



Includes (30) Dimmable G9 LED Bulbs  
3.5 Watts Max  
3000K, 400 Lumens, CRI 80

USE LED BULBS FOR EXTENDED USE  
THIS FIXTURE IS DRY RATED

## How to install :

Please place the fixture frame on a soft cloth covered table before the installation.

1. Insert one end of a long rod into the coupler on the inside of the bottom frame ring and secure it with set screw using the Allen wrench. Tighten the screw until it is flush with the rod. Do not over tighten the screw. Repeat for the other rods.
2. Insert the other end of a long rod into the hole on the bottom of wire box and secure it with washer and hex nut using the wrench. Repeat for the other rods.
3. Repeat step #1 and step #2 for the short rods, attaching to the top frame and wire box.
4. Pass the wire through the hole on the metal plate cover and secure the loop.
5. Decide the preferred hanging height and choose correct length of chain needed.

## Installation of the safety cable

1. Pass the long threaded pipe on the hickey through the center of the outlet box. Attach it to the ceiling joist and secure it with the hex nuts.
2. Feed the wires and safety cable up through the chain and the hole of the screw collar loop. Have the wires and safety cable exit through the side of the hickey.
3. Feed the safety cable through the cable lock and coil it around the hickey twice. Then feed the cable through the lock again and tighten it with the lock screw.
4. Continue to run the safety cable through the top of the outlet box and secure it to the ceiling joist.
5. Do the wire connections and secure the canopy over the outlet box with the collar ring.
6. Slide the rubber washer over the socket, and place the crystal shade and check ring over the socket and secure it with the socket ring using the wrench.
7. Install the G9 led bulb into the socket.

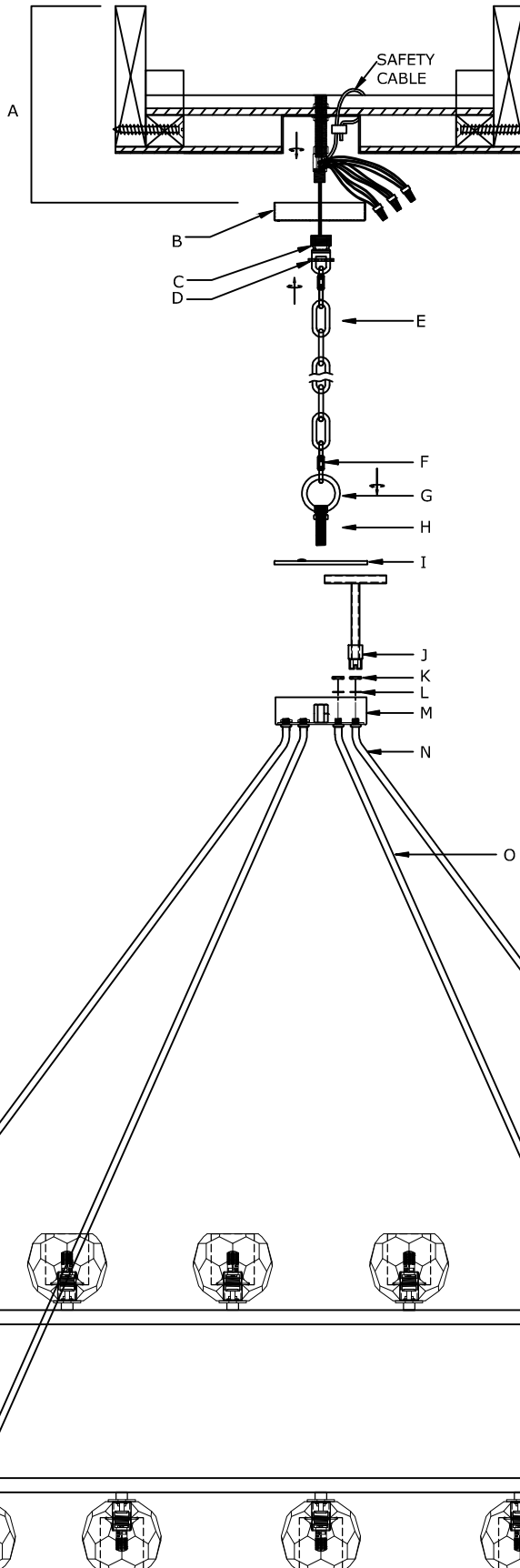
**WARNING:** This product can expose you to Lead which is known to the state of California to cause cancer and/or birth defects or reproductive harm. For more information go to [www.P65Warnings.ca.gov](http://www.P65Warnings.ca.gov)

# CRYSTORAMA

LIGHTING THE WAY FOR SIXTY YEARS



ASSEMBLY INSTRUCTION MODEL #ARA-10269-MK



## Part Number

### Part Numbers

- A. Mounting Hardware
  - (1) Long Threaded pipe
  - (4) HexNut
  - (3) WireNut
  - (1) HickeyNut
- B. (1) Canopy, W5"\*H1"; XME10269MKCAN5IN
- C. (1) Screw collar loop
- D. (1) Collar Ring
- E. (1) Chain L72"xØ6MM; XME10269MKCHA6MM
- F. Quick Link
- G. (1) Fixture loop ; XME10269MKLOOP
- H. (1) Threaded nipple
- I. (1) Metal plate cover
- J. (1) Wrench
- K. (6) Nut
- L. (6) Washer
- M. (1) Wire Box
- N. (3) Short Side Rod L41.5"xØ9.5MM; XME10269MKSROD41.5IN
- O. (3) Long Side Rod L46.5"xØ9.5MM; XME10269MKSROD46.5IN
- P. (1) Top Metal Frame
- Q. (1) Bottom Metal Frame
- R. (30) Socket
- S. (30) Rubber Washer
- T. (30) Crystal Shade W4  $\frac{5}{16}$ " XH3  $\frac{11}{16}$ "; XME10264SGLA4.3IN
- U. (30) Check Ring
- V. (30) Socket Ring
- W. (30) LED Bulb
- X. (1) Wrench
- Y. (1) Allen Wrench