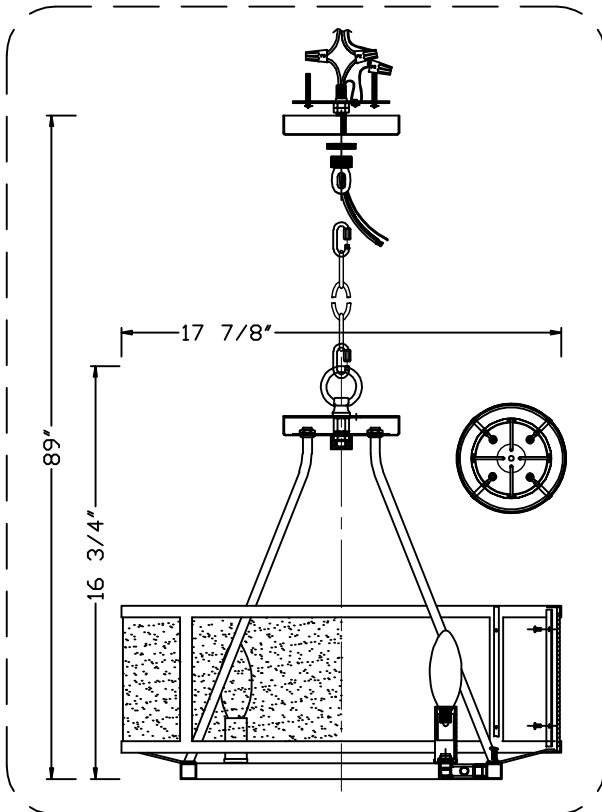


CRYSTORAMA

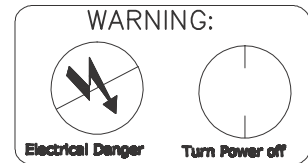
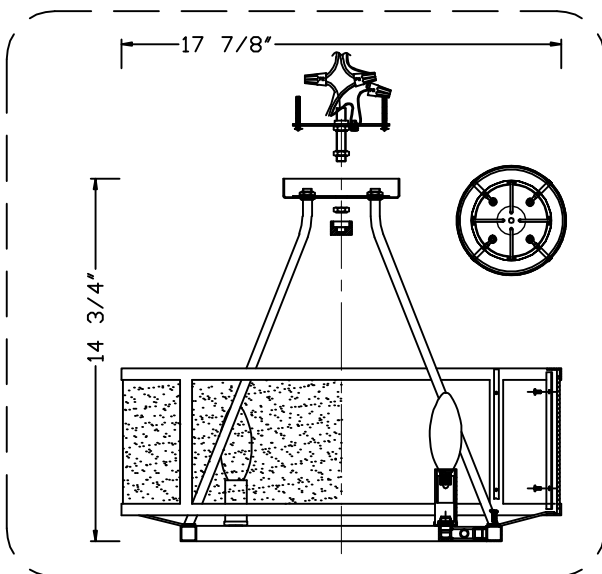
LIGHTING THE WAY FOR SIXTY YEARS

ASSEMBLY INSTRUCTION MODEL# BRY-8004-BF

For Hanging



For Ceiling



All electrical components must be installed by a licensed electrician in accordance with the National Electric Code and the appropriate local electrical codes.



You will need 4- Cand. Bulb
40 Watts Recommended 60 Watts Max.
USE LED BULBS FOR EXTENDED USE
THE FIXTURE IS DAMP RATED

How to install For Hanging

1. Place the frame on a soft cloth covered platform and lay two pieces of glass on the two adjacent cut outs of the frame. Hold the glass while aligning the holes on the metal strap with the holes on the frame. Two persons handling is recommended for this step.
2. Install the end of the rod (without the tab) onto the canopy and secure with a nut. Repeat for all rods. Do not tighten the nut until the end of step #3.
3. Spread the rods out equally and align the holes at the tab of rod with holes in the banding ring. Secure the rods with flat head screws. Now the nuts inside the canopy can be tightened to secure the rods in place.
4. Place the plate over the top of the canopy and secure with the loop.
5. Install the mounting bar to the outlet box using two outlet box screws.
6. Decide the desired hanging height and cut the chain to the proper length.
7. Install the canopy onto the mounting bar and secure with the screw collar loop ring.

How to install For Ceiling

1. Step #-3 are same above.
2. Remove the coupling by loosening the finial and hex nut.
3. Install the mounting bar onto the outlet box using two outlet box screws.
4. Install the canopy onto the mounting bar and secure with the hex nut and finial

WARNING: This product can expose you to Lead which is known to the state of California to cause cancer and/or birth defects or reproductive harm. For more information go to www.P85Warnings.ca.gov

CRYSTORAMA

LIGHTING THE WAY FOR SIXTY YEARS

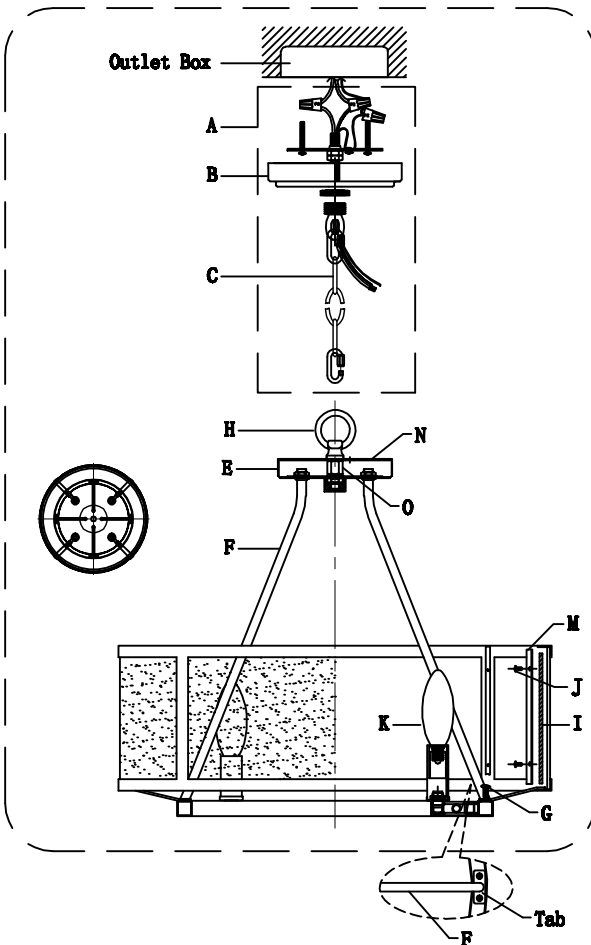
ASSEMBLY INSTRUCTION MODEL# BRY-8004-BF

Part Number

Part Numbers

- A. (1)-Mounting Hardware For Hanging
- B. (1)-Canopy For Hanging W5-1/2"XH1"(XSU8004BFCAN5.5IN)
- C. (1)-Chain;3.8MM(XSU8004BFCHA3.8MM)
- D. (1)-Mounting Hardware For Ceiling
- E. (1)-Canopy;W4-3/4"XH3/4" (XSU8004BFCAN4.7INC)
- F. (4)-Rods (XSU8004BFSIDEROD)
- G. (8)-Flat head Screws
- H. (1)-Loop(XSU8004BFLOOP)
- I. (4)-Glass;W12-1/4"XH5-1/2" (XSU8004GLA12.25IN)
- J. (8)-Machine Screws
- K. (4)- Bulb(Not Included)
- L. (1)- Finial(XSU8004BFFIN)
- M. (4)- Metal strap
- N. (1)- Plate
- O. (1)- Coupling

For Hanging



For Ceiling

