

CRYSTORAMA

LIGHTING THE WAY FOR SIXTY YEARS

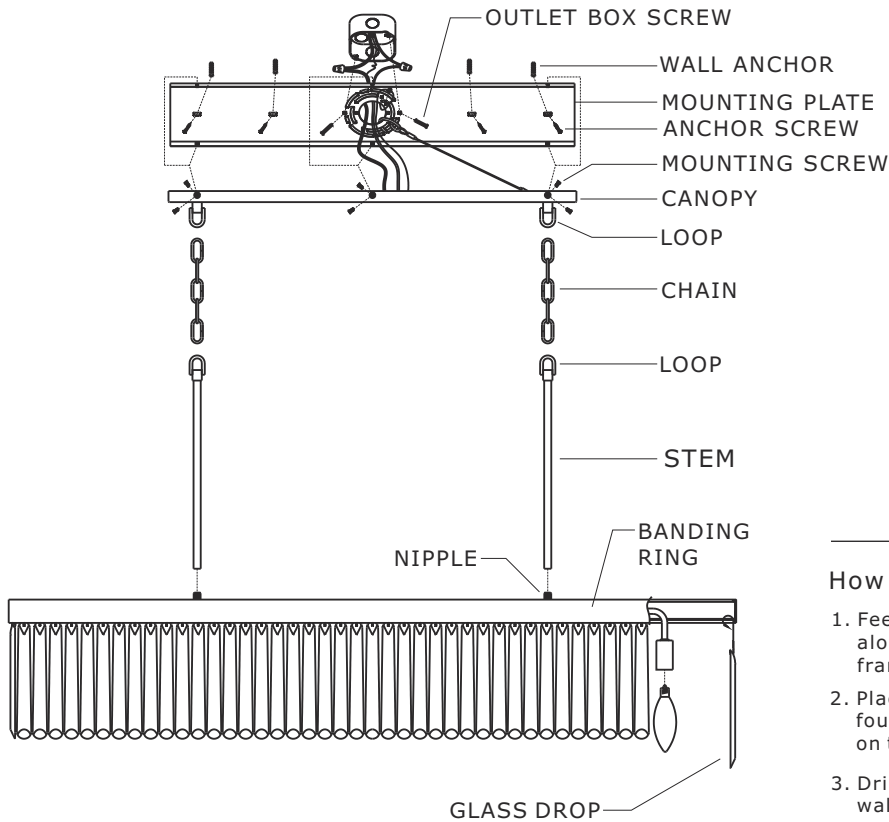
ASSEMBLY INSTRUCTION MODEL#EMO-5407-BF



All electrical components must be installed by a licensed electrician in accordance with the National Electric Code and the appropriate local electrical codes.



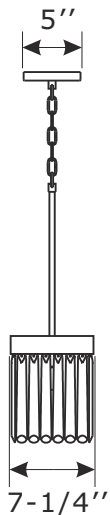
You will need 6- Candelabra Base Bulb
40 Watts Recommended 60 Watts Max.
USE LED BULBS FOR EXTENDED USE
This fixture is Damp rated



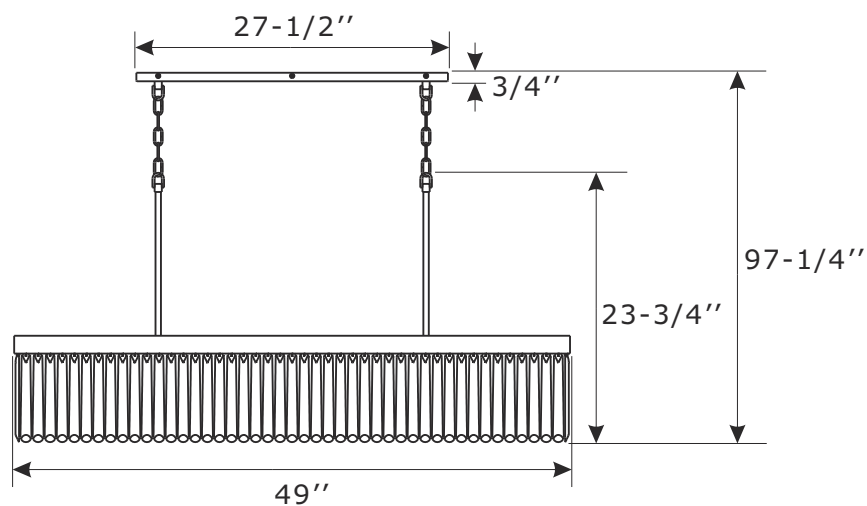
How to install

1. Feed the wires through the stem. Slip the down rod along wire and thread it onto the nipple on top of frame.
2. Place the mounting plate over the outlet box. Mark four points on the ceiling at the center of the keyhole on the mounting plate.
3. Drill four holes at the marked points and insert the wall anchors.
4. Place the mounting plate over the outlet box and secure it with two outlet box screws. Insert the anchor screws into the wall anchors (Installed in step #3) and tighten.
5. Determine the preferred hanging height and adjust to the chain required.
6. Install canopy onto the mounting plate, and secure with the mounting screws.
7. Hang glass drop to the banding ring.
8. Install the bulbs(not included) into the socket.

SIDE VIEW



FRONT VIEW



(W1"xL7-7/8")x102sets

WARNING: This product can expose you to Lead which is known to the state of California to cause cancer and/or birth defects or reproductive harm. For more information go to www.P65Warnings.ca.gov

CRYSTORAMA

LIGHTING THE WAY FOR SIXTY YEARS

ASSEMBLY INSTRUCTION MODEL#EMO-5407-BF

Part Number

Part Numbers

- A. (1)-Mounting hardware
- B. (1)-Mounting plate
- C. (6)-Mounting screw
- D. (1)-Canopy W5''xL27-1/2''xH3/4'' #XRF5407BFCAN5IN
- E. (1)-Chain -L72'', 3.8mm thick #XRF5407BFCHA3.8MM
- F. (2)-Stem W1/2''xL12-3/4'' #XRF5407BFROD12.75IN
- G. (1)-Banding ring #XRF5407BFRING
- H. (6)-Socket
- I. (102)-Glass drop W1''xL7-7/8''

