

CRYST RAMA

LIGHTING THE WAY FOR SIXTY YEARS

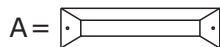
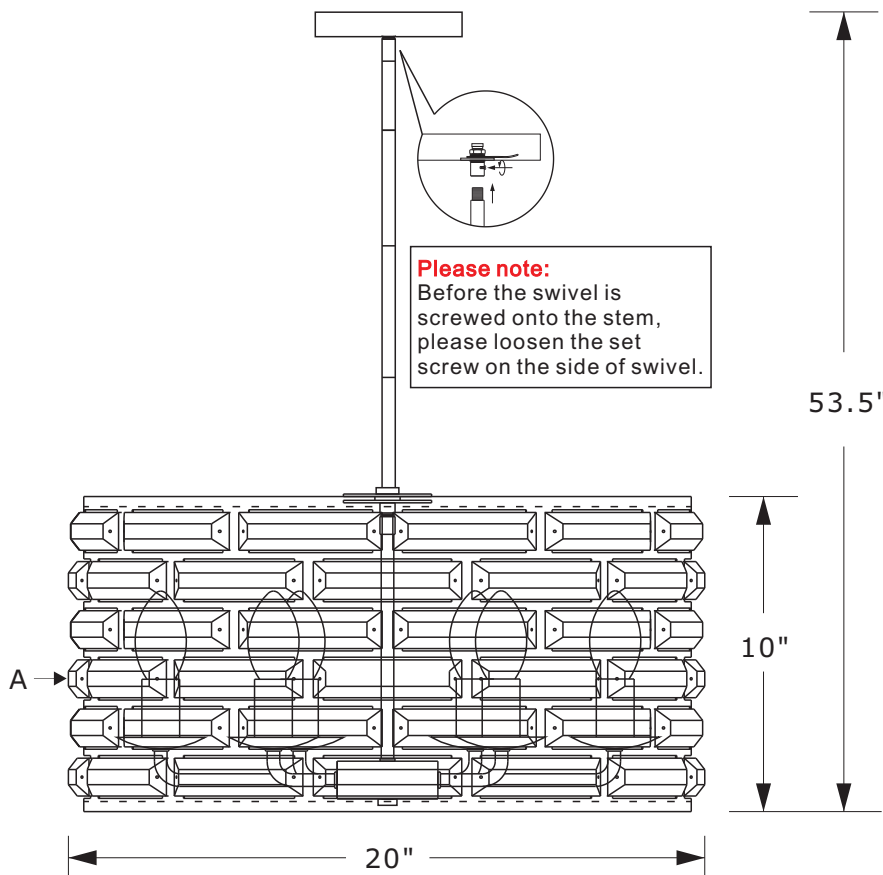
ASSEMBLY INSTRUCTION MODEL #MER-4866-GA



All electrical components must be installed by a licensed electrician in accordance with the National Electric Code and the appropriate local electrical codes.



You will need 6 -Candelabra Base Bulb
40 Watts Recommended 60 Watts Max.
USE LED BULBS FOR EXTENDED USE




How to Install

1. Do a complete inventory of all parts and components before you start installation.
2. Determine the preferred hanging height and adjust to the required stems.
3. Feed the wires through the selected stems, prior to assembling them together.
4. Connect the stem assembly to the fixture frame.
5. After screwing the swivel into the canopy, take the top of the stem assembly and attach it to the swivel.
6. Place the candle sleeve onto the socket, and insert recommended bulb (not included).

Crystal Sets

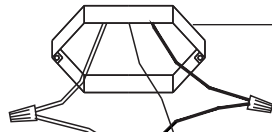
A. 72 Pieces. (+1 SPARE)
120x30mm

 **WARNING:** This product can expose you to Lead, which is known to the State of California to cause cancer and/or birth defects or reproductive harm. For more information go to www.P65Warnings.ca.gov.

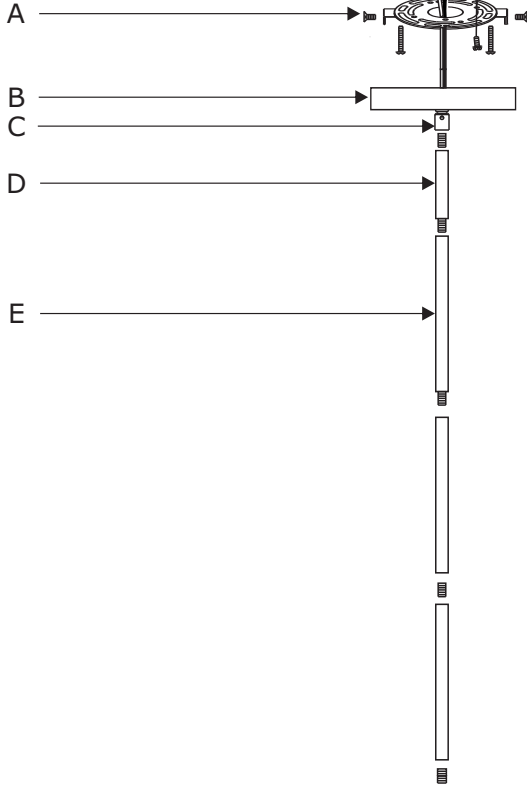
CRYSTORAMA

LIGHTING THE WAY FOR SIXTY YEARS

PART NUMBER MODEL #MER-4866-GA



Outlet box **Part Number**



- A. (1) - Mounting Hardware
- B. (1) - Canopy(W5",H1") #XRE4865GACAN5IN
- C. (1) - Swivel 1
- D. (1) - Hanging Stem(6",15.9mm) #XRE4866GAROD6IN
- E. (3) - Hanging Stem(12",15.9mm) #XRE4866GAROD12IN
- F. (1) - Swivel 2
- G. (1) - Center Stem(7.48",9.7mm)
- H. (6) - Candle Sleeve(W0.87",H1.97") #XRE4863GACDL1.97IN

