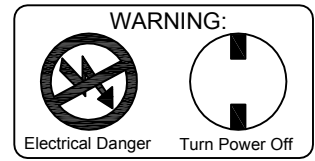
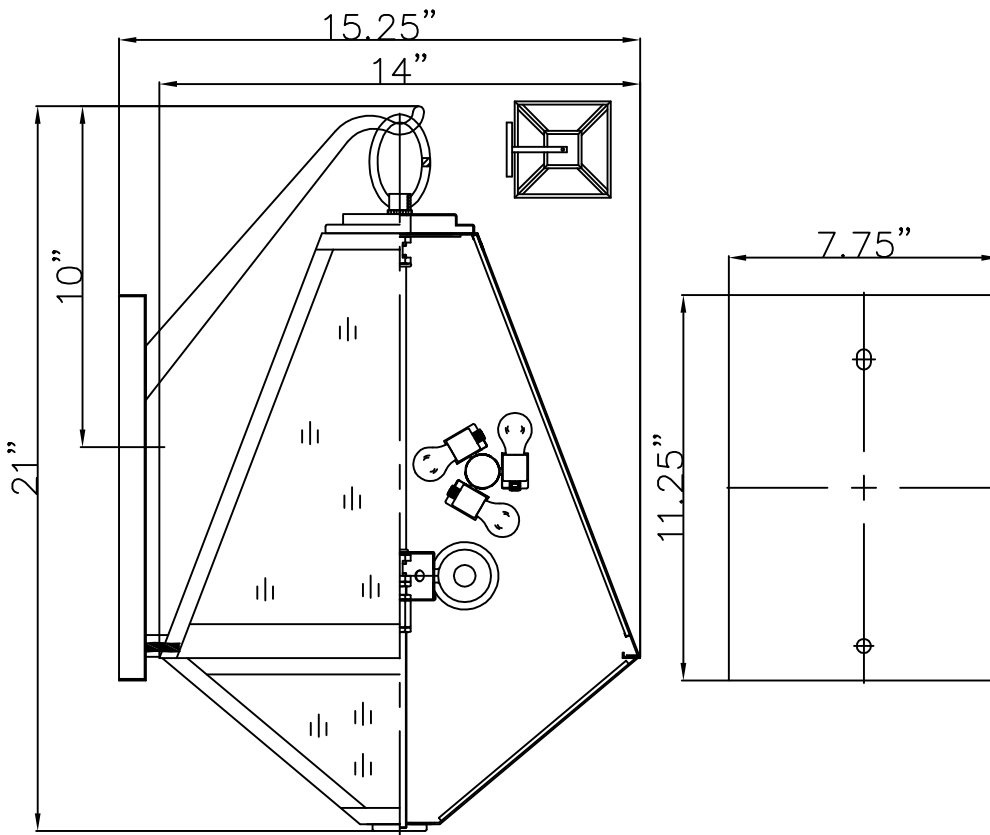


CRYSTORAMA

LIGHTING THE WAY FOR SIXTY YEARS

ASSEMBLY INSTRUCTION MODEL #GLA-9702-OP-BC



All electrical components must be installed by a licensed electrician in accordance with the National Electric Code and the appropriate local electrical codes.



You will need 3 - Med.Bulb
40 Watts Recommended
60 Watts Max

USE LED BULBS FOR EXTENDED USE
California T24 JA8-2016 Qualified: Satco (S9612); 10.5 watt LED Medium Base recommended. Bulb not included

How to mount the mounting plate onto the outlet box

1. Put the mounting plate over the outlet box and mark four points on the wall surface at the center of holes on the mounting plate.
2. Drill the holes at the four marked points and insert the wall anchors inside the wall.
3. Place the mounting plate over the outlet box and secure it with outlet box screws. Insert the wall anchor screws inside the wall anchors inside the wall and tighten it by screw driver.

How to Install

1. To install glass panels, separate the Bottom Cage and the Top Cage, by removing the Decorative Nut.
2. Bend glass Clip and slide Glass #1 into the Top Cage and Glass # 2 into the Bottom Cage.
3. Bend glass Clip to secure Glass # 1 and Glass # 2
4. Install the bulb(not included) to the socket.
5. Connect the Bottom Cage and the Top Cage, by screwing in Decorative Nut to secure cage.
6. The backplate of the fixture can now be mounted to the wall .

Replacement Glass installation:

1. Follow instructions # 1 through # 3 above to install new glass. Complete by connecting the Bottom Cage and the Top Cage by screwing in Decorative Nut to secure cage.

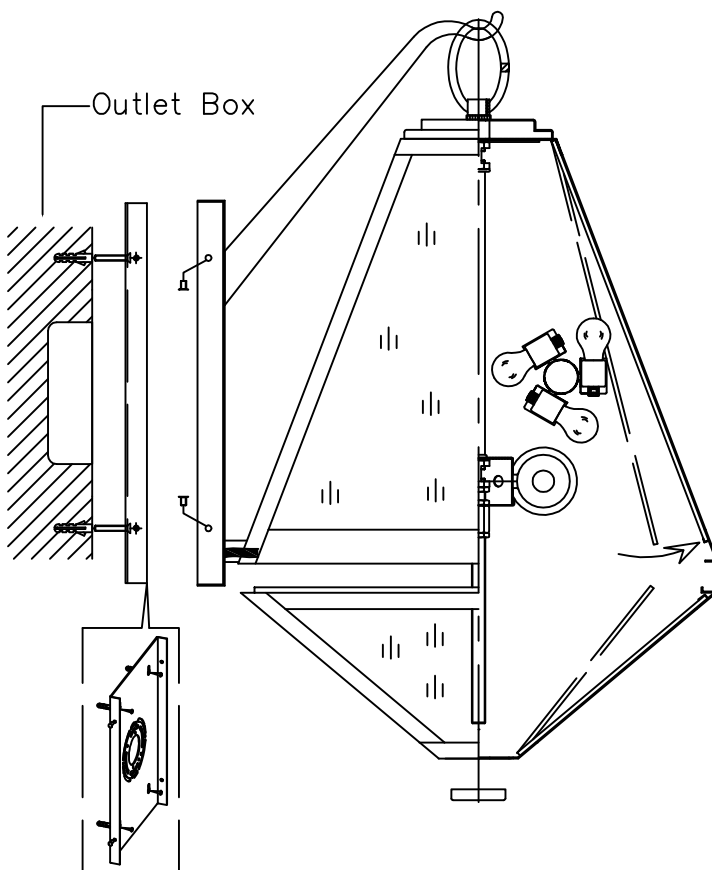
Bulb replacement:

1. Separate the Bottom Cage and the Top Cage, by removing Decorative Nut.
2. Install the bulb into the socket
3. Complete by connecting the Bottom Cage and the Top Cage by screwing in Decorative Nut to secure cage.

After securing fixture to the wall it is recommended that the gap between the wall and the backplate be sealed on the top and both sides, with a good quality waterproof caulk or silicone sealant (NOT INCLUDED)



WARNING: This product can expose you to Lead, which is known to the State of California to cause cancer and/or birth defects or reproductive harm. For more information go to www.P65Warnings.ca.gov



CRYSTORAMA

LIGHTING THE WAY FOR SIXTY YEARS

PART NUMBER MODEL #GLA-9702-OP-BC

Part Number

Part Numbers

A. (1)—Mounting hardware

Includes

(4) outlet box screws

(4) wall anchors

(4) wall anchor screws

(3) wire nuts

(1) mounting plate

B. (1)—Backplate; W7.75"XH11.25"; XSU9702BCBKP7.75IN

C. (1)—LOOP

D. (1)—Arm

E. (1)—Center Rod

F. (1)—Top Cage

G. (3)—Socket

H. (3)—Candle sleeves; $\phi 1.5$ "X2"; XSU9702BCCDL2IN

I. (4)—Glass 1; (4"+13")X12.5"

J. (8)—Clip

K. (4)—Glass 2; (2.25"+13")X7"

L. (1)Bottom Cage

M. (1)Bottom threaded pipe

N. (1)Decorative nut; XSU9701BCDECNUT

