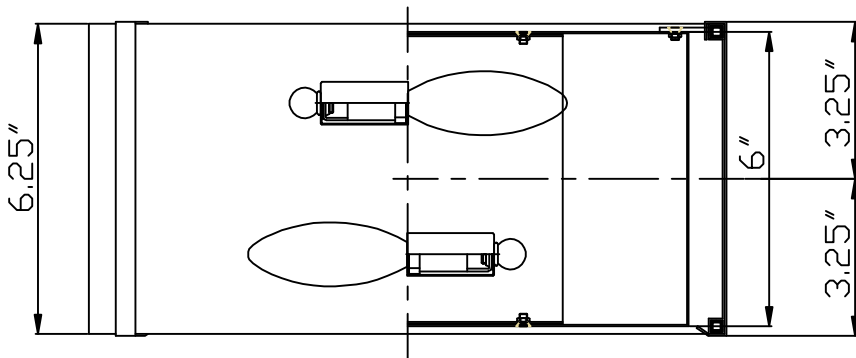
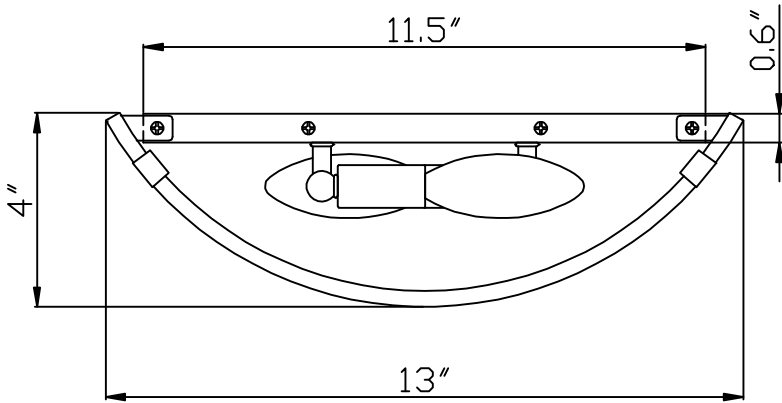


CRYSTORAMA

LIGHTING THE WAY FOR SIXTY YEARS

ASSEMBLY INSTRUCTION MODEL #FUL-902-BK



All electrical components must be installed by a licensed electrician in accordance with the National Electric Code and the appropriate local electrical codes.



You will need 2 - Cand.Bulb

40 Watts Max

USE LED BULBS FOR EXTENDED USE

This fixture is damp rated

How to Install

1. Attach the backplate onto the outlet box using the 4 screws.
2. Install the bulb into the socket.
3. To adjust the metal band, make sure it leans against the stop piece on the side of shade.



WARNING: This product can expose you to Lead, which is known to the State of California to cause cancer and/or birth defects or reproductive harm. For more information go to www.P65Warnings.ca.gov

CRYSTORAMA

LIGHTING THE WAY FOR SIXTY YEARS

PART NUMBER MODEL #FUL-902-BK

Part Number

Part Numbers

- A. (1)-Mounting hardware
- B. (1)-Backplate; W11.5"XH6"XD0.6"; #XSU902BKBKP11.5IN
- C. (2)-Screws
- D. (2)-Socket
- E. (1)Fabric Shade; W13"XH6.25"XD4" #XSU902BKSHA13IN

