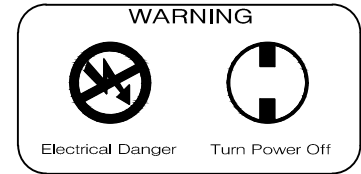
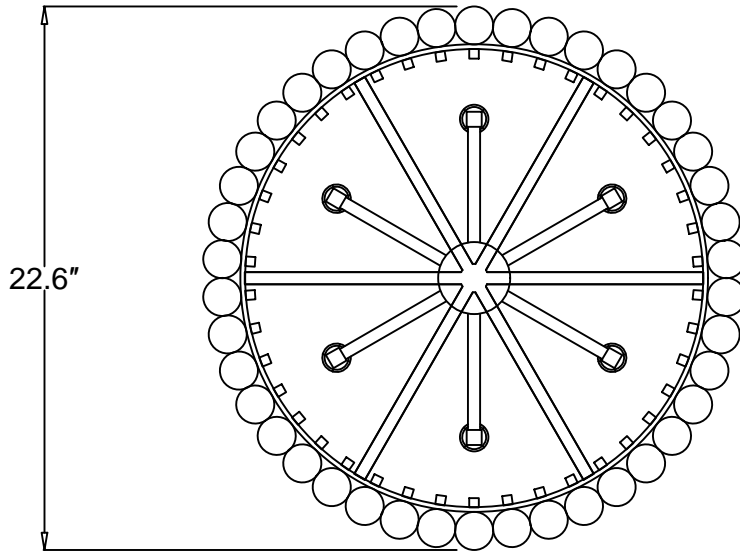


CRYSTORAMA

LIGHTING THE WAY FOR SIXTY YEARS

ASSEMBLY INSTRUCTION MODEL #ELL-B3006-PN



All electrical components must be installed by a licensed electrician in accordance with the National Electric Code and the appropriate local electrical codes.



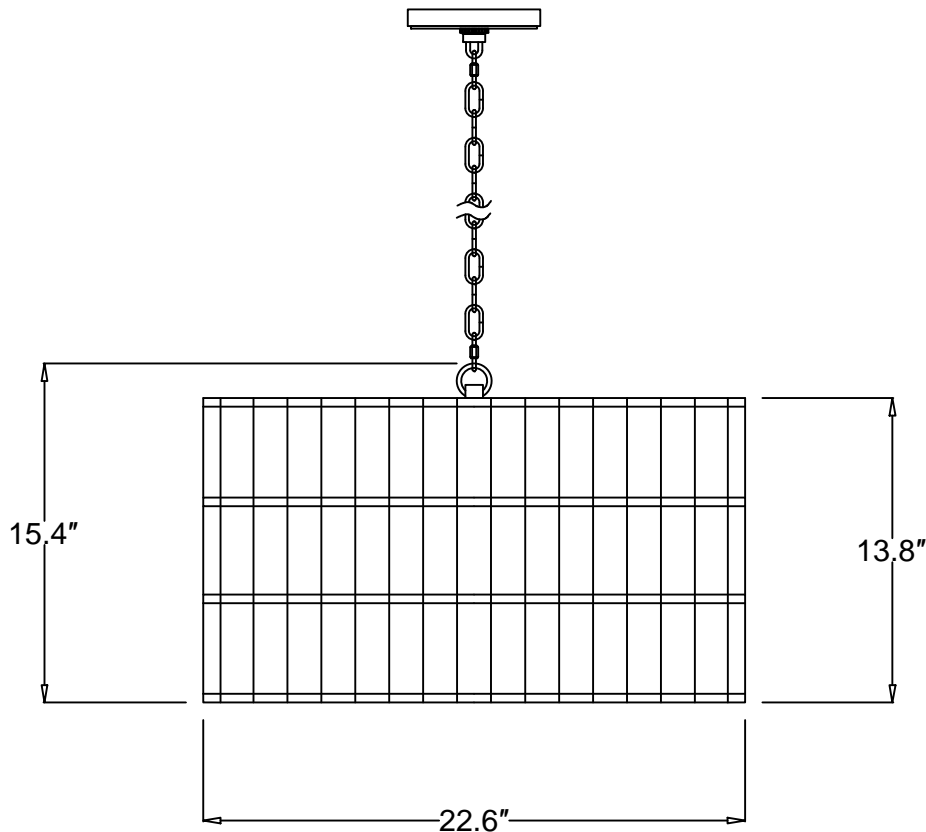
You will need 6-Candelabra Bulb
60 watts Max Bulb not included
USE LED BULBS FOR EXTENDED USE
This fixture is DRY rated

How to Install

1. Put the metal cap over the top of glass rod and then attach it onto the frame by nuts.
2. Decide the preferred hanging height and choose the chain needed.
3. Fix the mounting plate to the ceiling and connect the canopy to the mounting plate.

Installation of safety cable

1. Pass the long threaded pipe on the hickey through the center of outlet box. Attach it to the ceiling joist and secure it with nuts.
2. Feed wires and safety cable up through chain and the hole of screw collar loop. Have the wires and safety cable exit through the side of hickey.
3. Feed safety cable through the cable lock and coil it around the hickey twice. Then feed the cable through the lock again and tighten it with lock screw.
4. Continue to run safety cable through the top of outlet box and secure it to the ceiling joist.



WARNING: This product can expose you to Lead, which is known to the State of California to cause cancer and/or birth defects or reproductive harm. For more information go to www.P65Warnings.ca.gov

CRYSTORAMA

LIGHTING THE WAY FOR SIXTY YEARS

PART NUMBER MODEL #ELL-B3006-PN

Part Number

Part Numbers

- A. Mounting Hardware
 - (3) Wire Nut
 - (1) Hickey
 - (2) 1/4" IP NIPPLE
 - (4) Nut
 - (4) Flat Washer
 - (4) Spring Washer
- B. (1) Screw Collar Loop
- C. (1) Canopy; $\varnothing 6" \times 0.9" \text{h}$; XMO3004PNCAN6IN
- D. (1) Collar Ring
- E. (2) Quick Link
- F. (1) Chain; $72" \text{L} \times \varnothing 5.0 \text{mmT}$; XMO3004PNCHA5MM
- G. (1) Loop
- H. (1) Metal frame
- I. (84) Nuts; XMO3002PNBANUT
- J. (84) Metal cap
- K. (42) Glass rod; $\varnothing 1.5" \times 13.8" \text{h}$
- L. (6) Candle Sleeve; $\varnothing 1" \times 2.5" \text{h}$; XMO3002PNCDL2.5IN

