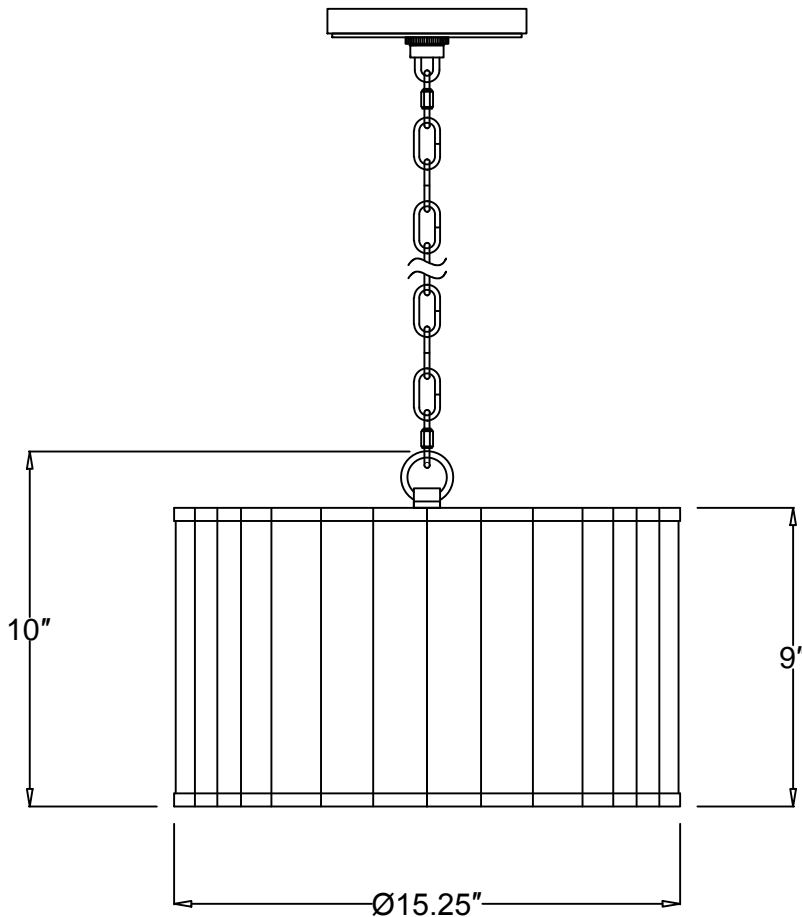


CRYSTORAMA

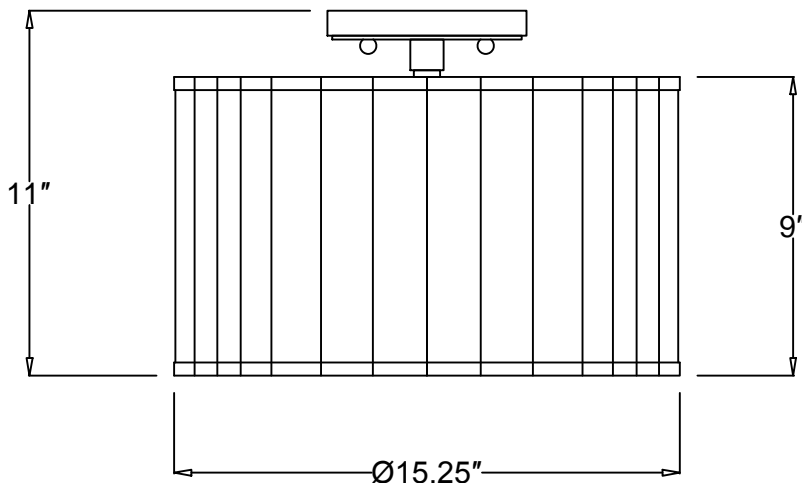
LIGHTING THE WAY FOR SIXTY YEARS

ASSEMBLY INSTRUCTION MODEL #ELL-B3004-PN

For Hanging:



For Ceiling:



WARNING



Electrical Danger



Turn Power Off

All electrical components must be installed by a licensed electrician in accordance with the National Electric Code and the appropriate local electrical codes.




You will need 4-Candelabra Bulb
60 watts Max Bulb not included
USE LED BULBS FOR EXTENDED USE
This fixture is DRY rated

How to Install

1. Put the metal cap over the top of glass rod and then attach it onto the frame by nuts.
2. Decide the preferred hanging height and choose the chain needed.
3. Fix the mounting plate to the ceiling and connect the canopy to the mounting plate.

For ceiling mount

1. Take the fixture loop off and attach the canopy with two mounting holes onto the frame.
2. Install the frame onto the ceiling.

 **WARNING:** This product can expose you to Lead, which is known to the State of California to cause cancer and/or birth defects or reproductive harm. For more information go to www.P65Warnings.ca.gov

CRYSTORAMA

LIGHTING THE WAY FOR SIXTY YEARS

PART NUMBER MODEL #ELL-B3004-PN

Part Number

Part Numbers

- A. Mounting Hardware
 - (1) Mounting Plate
 - (3) Wire Nut
 - (2) Anchors
 - (2) Anchor Screws
- B. (1) Screw Collar Loop
- C. (1) Canopy; $\varnothing 6" \times 0.9" \text{h}$; XMO3004PNCAN6IN
- D. (1) Collar Ring
- E. (2) Quick Link
- F. (1) Chain; $72" \text{Lx} \varnothing 5.0 \text{mmT}$; XMO3004PNCHA5MM
- G. (1) Loop
- H. (1) Metal frame
- I. (54) Nuts; XMO3002PNBANUT
- J. (54) Metal cap
- K. (27) Glass rod; $\varnothing 1.5" \times 13.8" \text{h}$
- L. (4) Candle Sleeve; $\varnothing 1" \times 2.5" \text{h}$; XMO3002PNCDL2.5IN

