

CRYSTORAMA

1958

95 Cantiague Rock Road, Westbury, NY 11590 • toll free: 1.800.888.4470 fax: 516.931.1254 • info@crystorama.com • www.crystorama.com

MODEL#: 5623 ASSEMBLY AND DRESSING INSTRUCTIONS

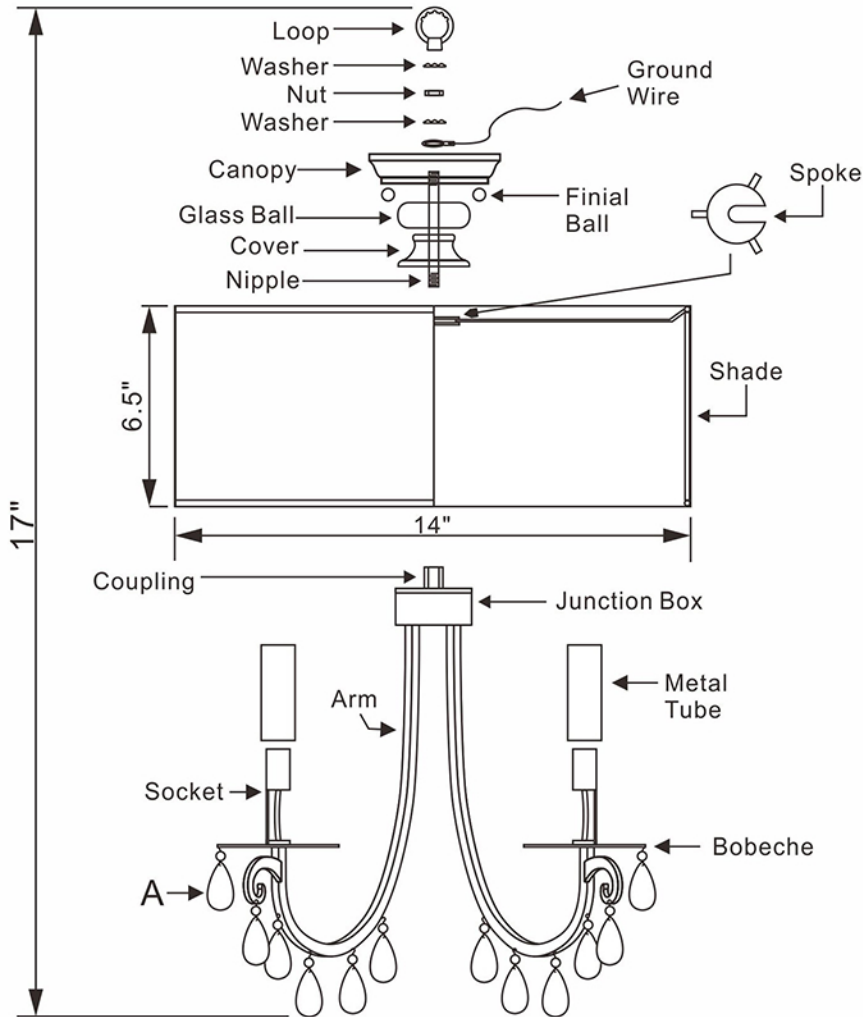


WARNING: This product can expose you to Lead, which is known to the State of California to cause cancer and/or birth defects or reproductive harm. For more information go to www.P65Warnings.ca.gov

All electrical components must be installed by a licensed electrician in accordance with the National Electric Code and the appropriate local electrical codes.



You will need 3 Candelabra bulbs 60 Watts recommended, Use LED bulbs for Extended use. Bulb not included.



HOW TO INSTALL:

1. INSTALL THE MOUNTING BAR TO THE OUTLET BOX OF THE CEILING .

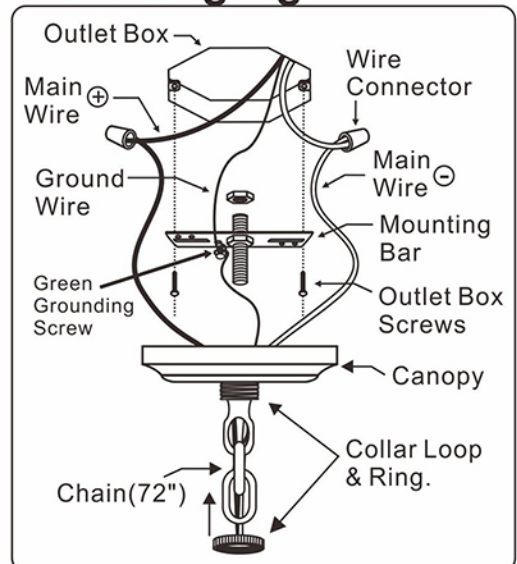
2. INSTALL THE CANOPY TO THE MOUNTING BAR WITH COLLAR LOOP AND RING (FOR HANGING.)

INSTALL THE CANOPY TO THE MOUNTING BAR WITH MOUNTING SCREW AND FINIAL BALL (FOR CEILING.)

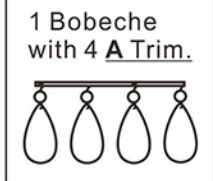
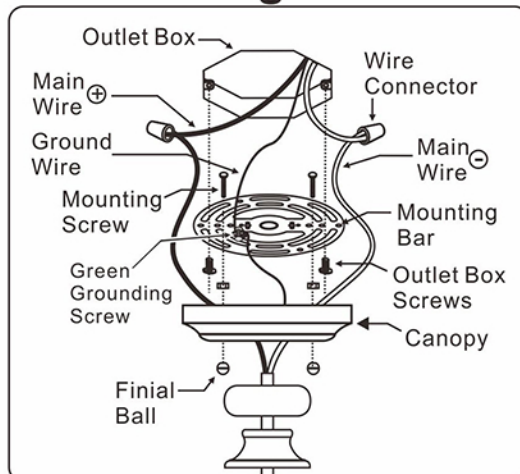
3. ASSEMBLE THE SHADE TO THE JUNCTION BOX.

4. DRESS THE CRYSTAL TRIM.

For Hanging



For Ceiling



CRYSTAL DRESSING INSTRUCTIONS:

A = (10mm+50mm) x 27pcs *(Spare = x 1pc)