

# CRYST RAMA

1958

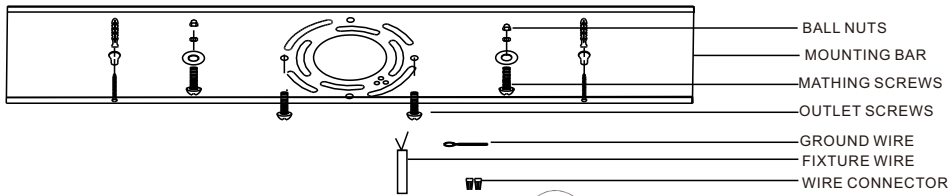
95 Cantiague Rock Road, Westbury NY 11590  
 ph:516.931.9090 fax:516.931.1254  
 info@crystorama.com . www.crystorama.com

## MODEL#:526-SA ASSEMBLY AND DRESSING INSTRUCTIONS

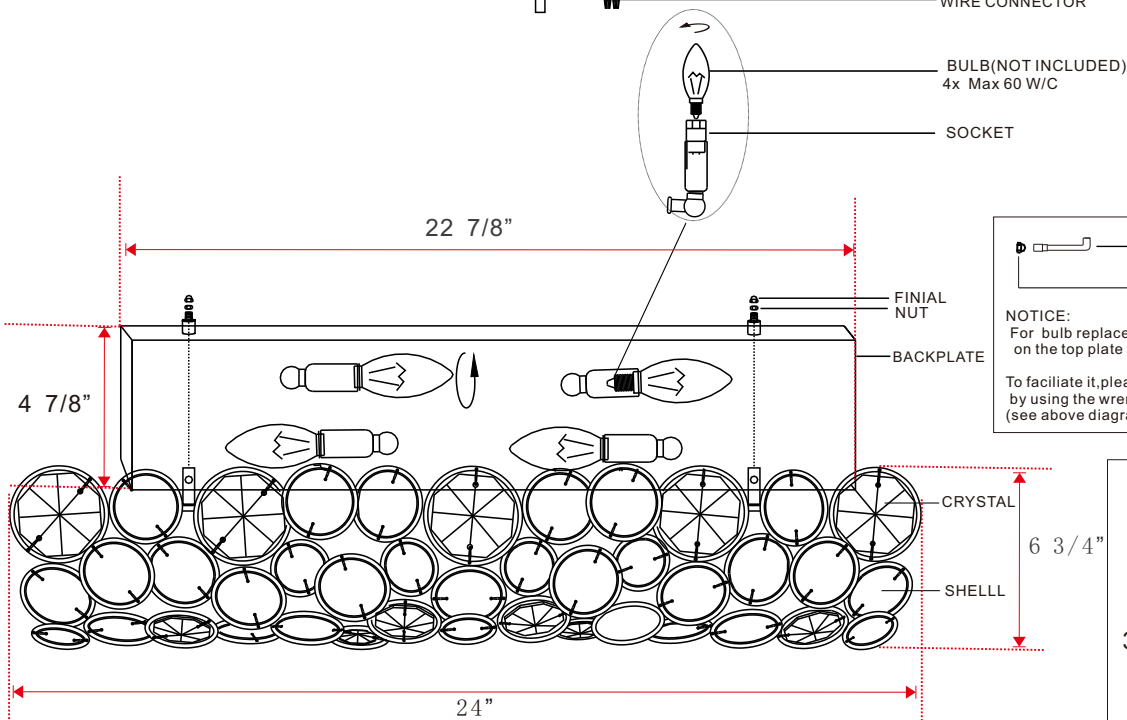
**WARNING:**

Electrical Danger      Turn Power off

All electrical components must be installed by a licensed electrician in accordance with the National Electric Code and the appropriate local electrical codes.

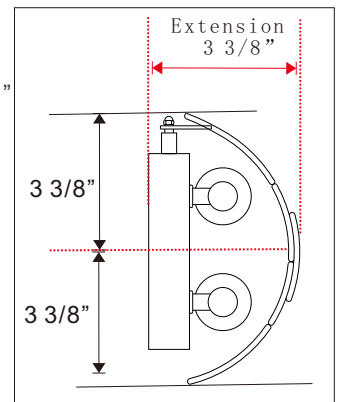


You will need 4- Cand, Bulb  
 40 Watts Recommended  
 60 Watts Max  
 Bulb not included.



WRENCH  
 (ENCLOSED IN THE HARDWARE BAG)  
 FINIAL

**NOTICE:**  
 For bulb replacement, please unscrew the finial and nut on the top plate to take off the frame cover.  
 To facilitate it, please remove the the finial and nut by using the wrench supplied.  
 (see above diagram for reference.)



Please Note :  
 We have included 2pcs extra shell and 1pc extra crystal for each Palla Collection fixture.  
 If needed, please reference the given illustration on how to replace the shell.

