

# CRYSTORAMA

95 Cantiague Rock Road , Westbury, NY 11590 • toll free: 1.800.888.4470 fax: 516.931 .1254 • info@crystorama.com • www.crystorama.com

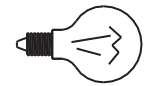
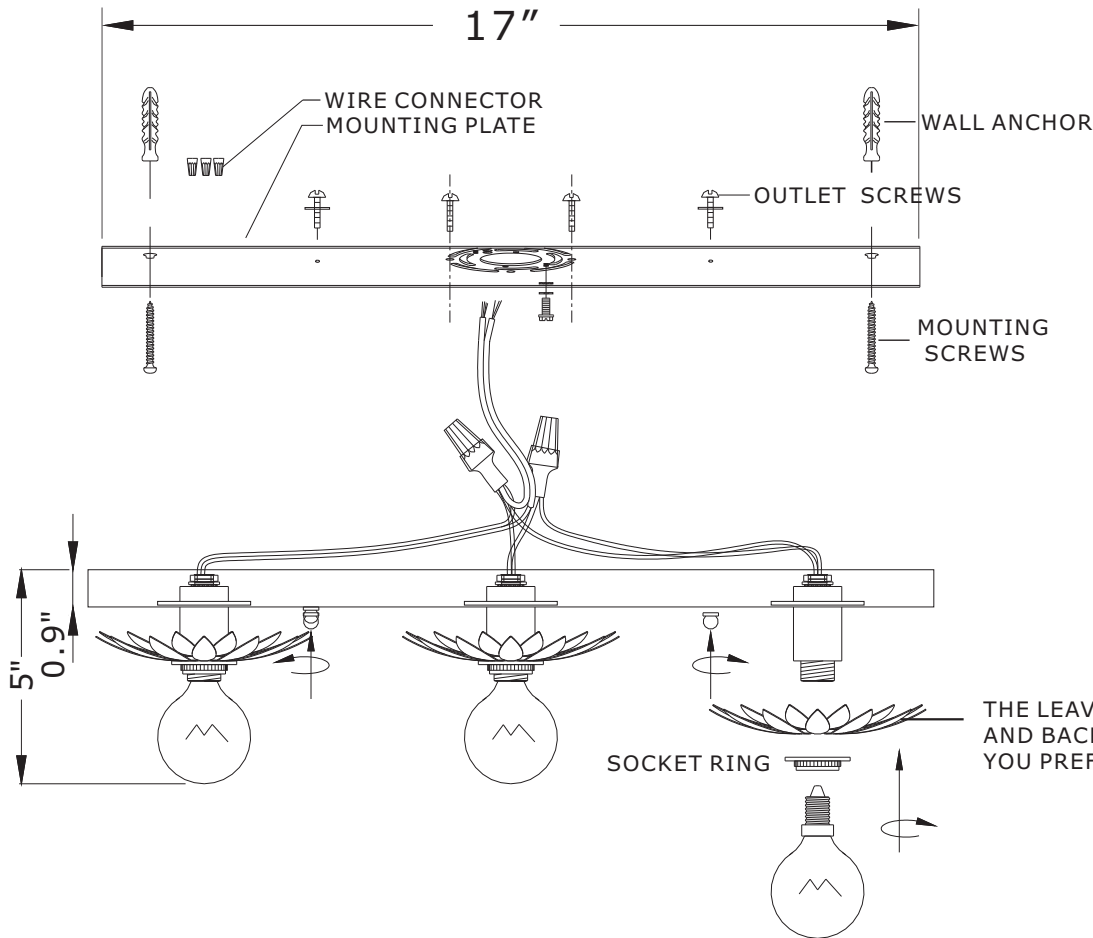
## MODEL#: 503-GA-SA ASSEMBLY AND DRESSING INSTRUCTIONS



WARNING  
Electrical Danger Turn Power off

**⚠ WARNING:** This product can expose you to Lead, which is known to the State of California to cause cancer and/or birth defects or reproductive harm. For more information go to [www.P65Warnings.ca.gov](http://www.P65Warnings.ca.gov)

All electrical components must be installed by a licensed electrician in accordance with the National Electric Code and the appropriate local electrical codes



REQUIRED G16-1/2"

You will need 3 Candelabra bulbs.40 Watts recommended 60 Watts max. Bulb not included.  
**USE LED FOR EXTENDED USE**

THE LEAVES CAN BE ADJUSTED FORWARD AND BACKWARDS TO ACHIEVE THE DEPTH YOU PREFER.

UNIT CAN BE MOUNTED HORIZONTALLY OR VERTICALLY