

CRYSTORAMA

LIGHTING THE WAY FOR SIXTY YEARS

ASSEMBLY INSTRUCTION MODEL #8687-MK-GA

WARNING

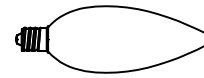


Electrical Danger



Turn Power Off

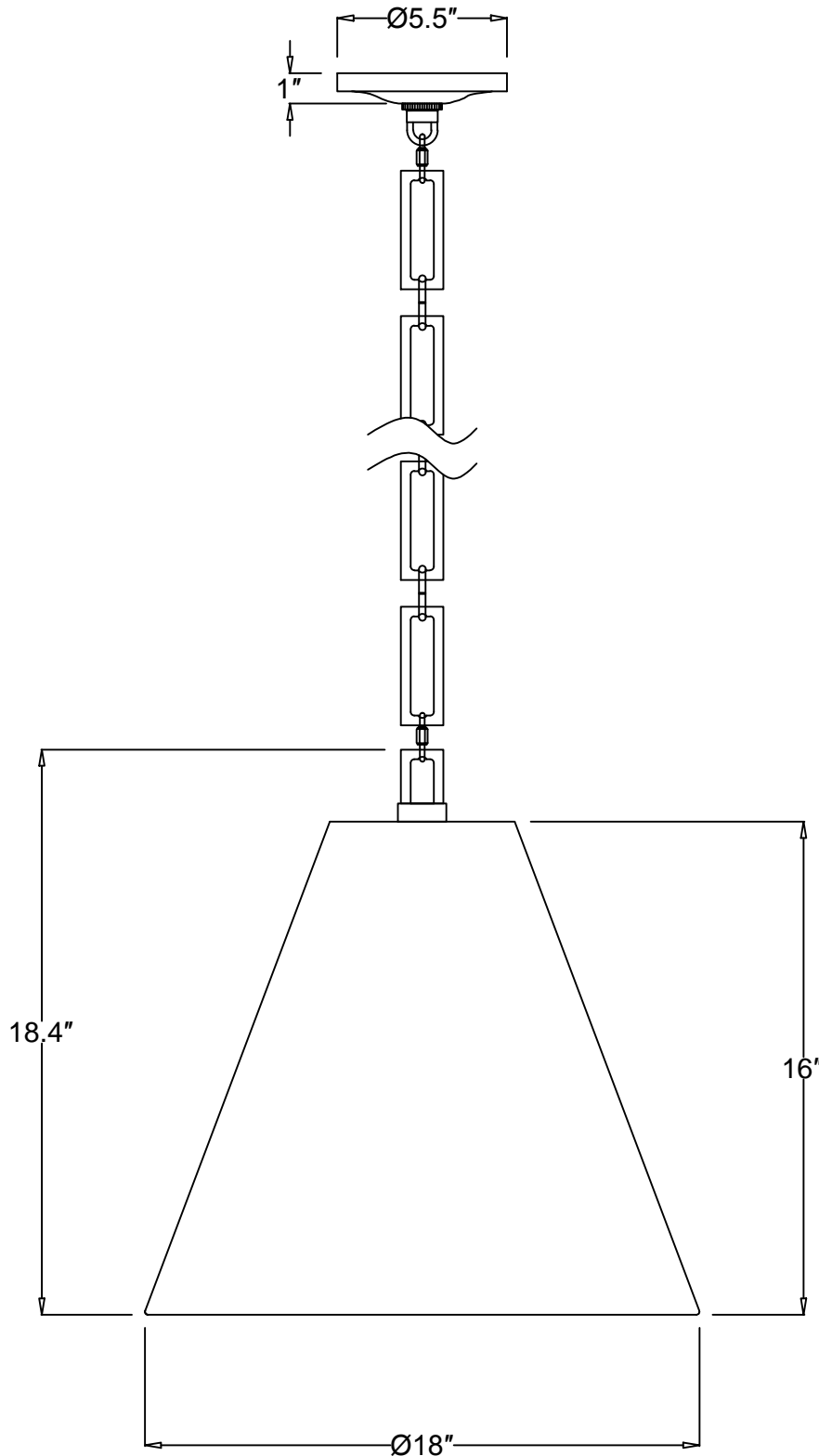
All electrical components must be installed by a licensed electrician in accordance with the National Electric Code and the appropriate local electrical codes.




You will need 3-Candelabra Bulb
60 watts Max Bulb not included
USE LED BULBS FOR EXTENDED USE
This fixture is DRY rated

How to Install

1. Determine the preferred hanging height and choose the chain needed.
2. Fix the mounting plate to the ceiling and connect the canopy to the mounting plate.
3. Install the recommended bulbs (not included) into each socket.



 **WARNING:** This product can expose you to Lead, which is known to the State of California to cause cancer and/or birth defects or reproductive harm. For more information go to www.P65Warnings.ca.gov

CRYSTORAMA

LIGHTING THE WAY FOR SIXTY YEARS

PART NUMBER MODEL #8687-MK-GA

Part Number

Part Numbers

- A. Mounting Hardware
 - (1) Mounting Plate
 - (3) Wire Nut
 - (2) Screws
- B. (1) Screw Collar Loop
- C. (1) Canopy; $\varnothing 5.5 \times 1 \text{''}$; XMO8680MKCAN5.5IN
- D. (1) Collar Ring
- E. (2) Quick Link
- F. (1) Chain; XMO8680MKCHA
- G. (1) Loop
- H. (1) Metal Shade; $\varnothing 18 \times 16 \text{''}$; XMO8687MKSHA18IN
- I. (3) Socket; $\varnothing 1 \times 2.5 \text{''}$ h

