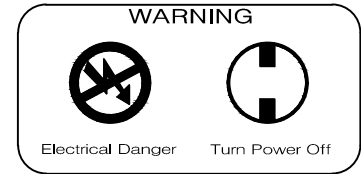
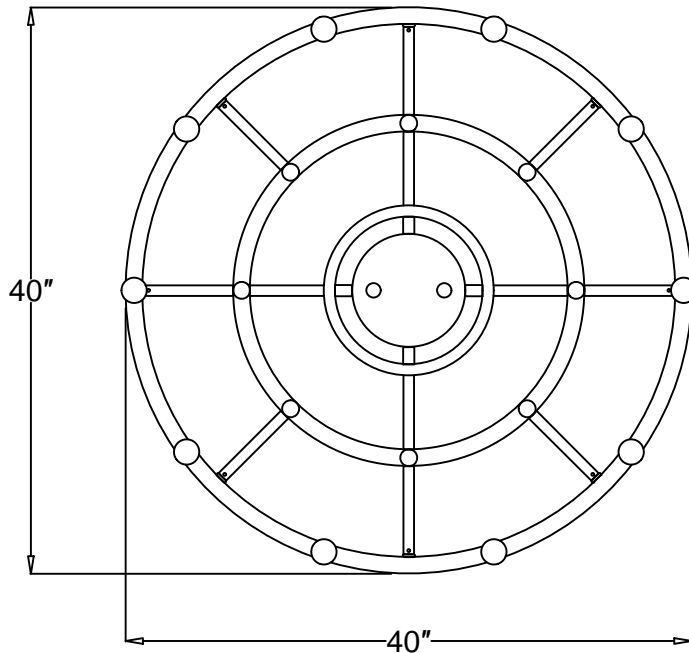


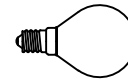
CRYSTORAMA

LIGHTING THE WAY FOR SIXTY YEARS

ASSEMBLY INSTRUCTION MODEL #ARS-B4020-PN



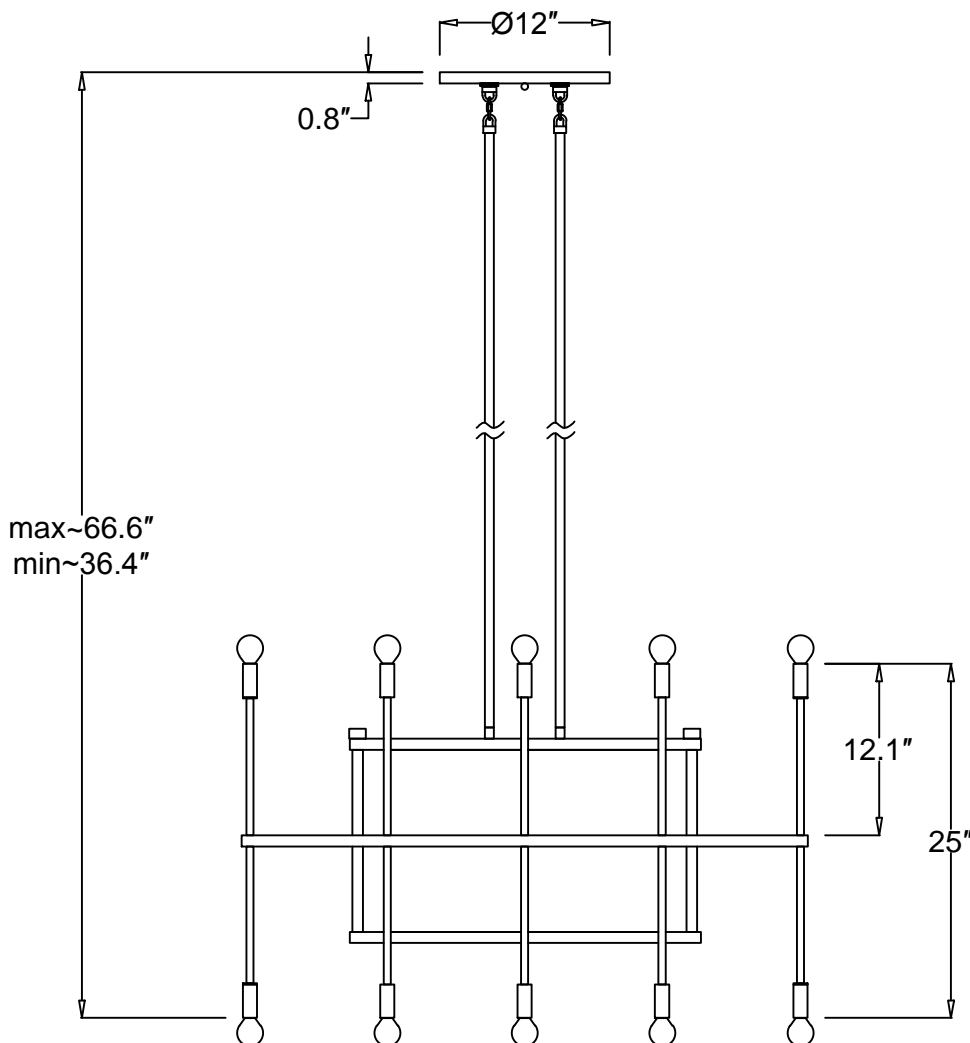
All electrical components must be installed by a licensed electrician in accordance with the National Electric Code and the appropriate local electrical codes.



You will need 20-Candelabra Bulb
40W Max Bulb not included
USE LED BULBS FOR EXTENDED USE
This fixture is DRY rated

How to Install

1. Determine preferred hanging height and select the hang rods needed.
2. Pass the wire through the hang rods and connect them together.
3. Attach one end of rod assembly onto the fixture frame and the other end onto the loop.
4. Hook the fixture frame onto the loop underneath the canopy by quick link.
5. Fix the mounting plate to the ceiling and connect the canopy to the mounting plate.
6. Install the recommended bulbs (not included) into each candle sleeve.



WARNING: This product can expose you to Lead, which is known to the State of California to cause cancer and/or birth defects or reproductive harm. For more information go to www.P65Warnings.ca.gov

CRYSTORAMA

LIGHTING THE WAY FOR SIXTY YEARS

PART NUMBER MODEL #ARS-B4020-PN

Part Number

Part Numbers

- A. Mounting Hardware
 - (1) Mounting Plate
 - (2) Wire Nut
 - (2) Anchors
 - (2) Anchor Screws
 - (2) Mounting Screws
- B. (2) Screw Collar Loop
- C. (1) Canopy; $\varnothing 12 \times 0.8 \text{h}$; XMO4020PNCAN12IN
- D. (2) Collar Ring
- E. (2) Ball nut; XMO4020PNBANUT
- F. (2) Quick Link
- G. (2) Loop
- H. (2) Rod; $\varnothing 0.63 \times 6 \text{h}$; XMO4012PNROD6IN
- I. (6) Rod; $\varnothing 0.63 \times 12 \text{h}$; XMO4012PNROD12IN
- J. (20) Candle Sleeve; $\varnothing 1 \times 2.5 \text{h}$; XMO4012PNCDL2.5IN
- K. (20) Arm; $\varnothing 0.5 \times 9.63 \text{h}$
- L. (1) Metal ring
- M. (2) Bottom ring

