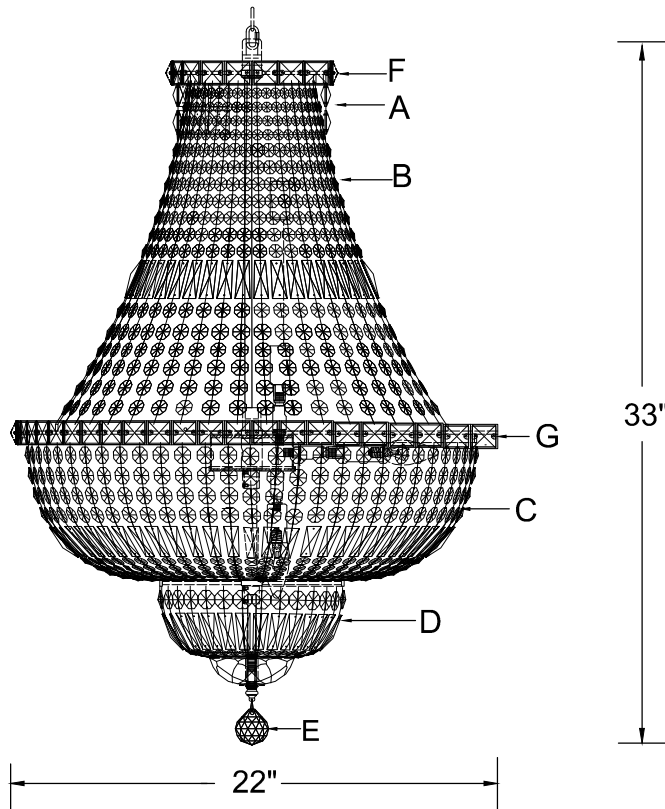


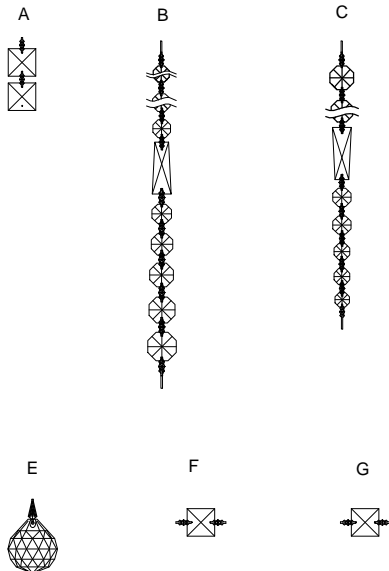
CRYSTORAMA

LIGHTING THE WAY FOR SIXTY YEARS

ASSEMBLY INSTRUCTION MODEL #ROS-A1009-CH-CL-MWP



DETAILED ILLUSTRATION



WARNING:
All electrical components must be installed by a licensed electrician in accordance with the National Electric Code and the appropriate local electrical codes.



You will need 9-Candelabra Base Bulb
40 Watts Recommended 60 Watts Max
USE LED BULBS FOR EXTENDED USE

How to Install

1. Do a complete inventory of all parts and components before you start installing.
2. Attach the top rod kit onto the coupler on the wiring box.
3. Attach the bottom rod kit onto the coupler on the bottom of wiring box.
4. Attach the bottom threaded pipe onto the coupler on the bottom metal ring. Do not install the glass dish before the crystal strands "D" are dressed.
5. After safely attaching fixture into outlet box, install bulbs (not included) and proceed to connecting the power.
6. Dress the crystal sets on the frame. Please hang the crystal strand "B" before crystal "A".
7. Place the glass dish and small metal dish over the threaded pipe, secure it with ball finial.
8. Hang the bottom crystal ball "E" on the finial.

Crystal Sets

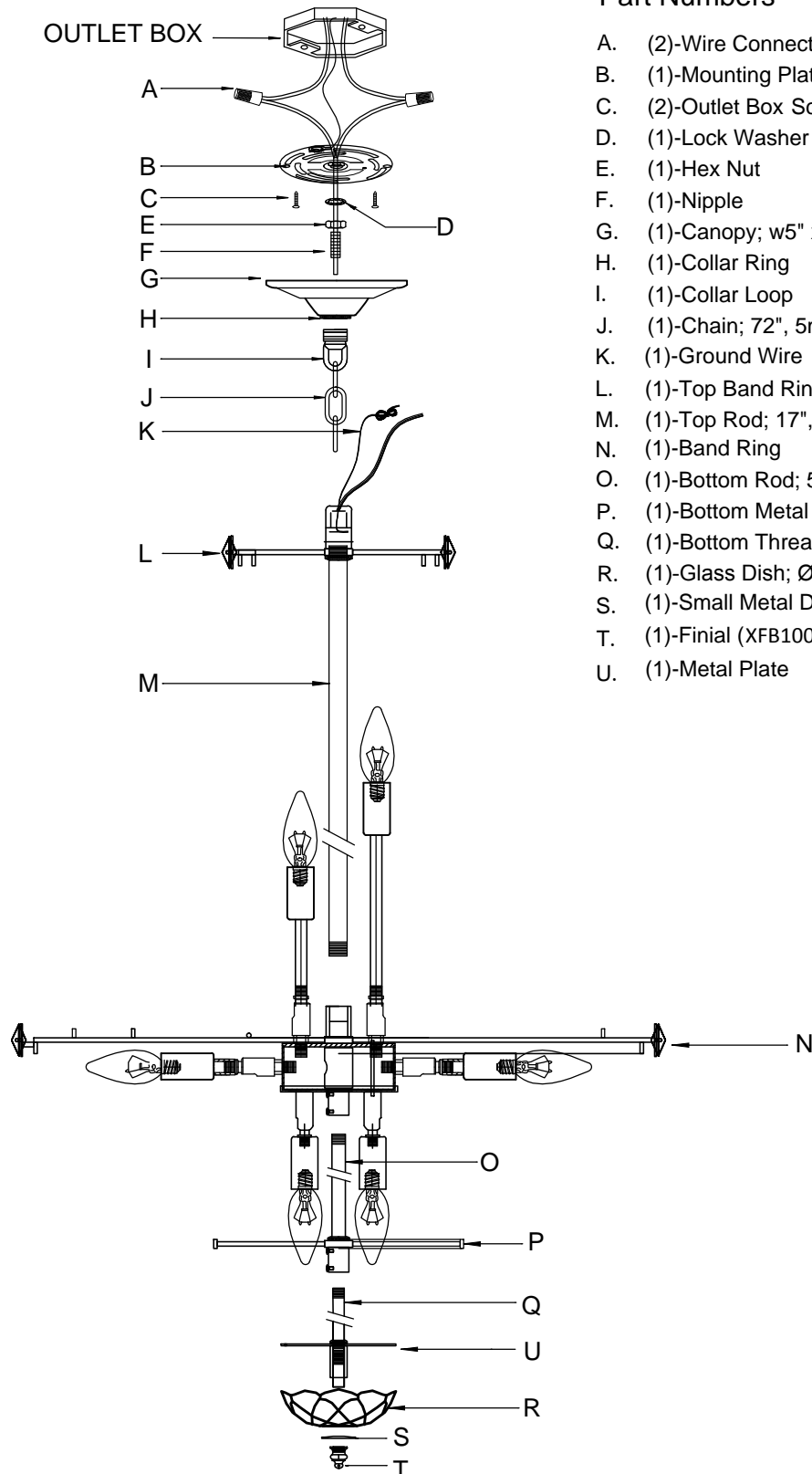
- A. 21Sets. (2)22mm Square
- B. 42Sets. (2)10mm+(3)12mm+(4)14mm+(3)16mm+(1)50mm Baguette+(2)18mm+(2)20mm+(1)22mm+(1)24mm+(1)26mm
- C. 75Sets (2)20mm+(1)18mm+(1)50mm Baguette+(2)16mm+(2)14mm+(2)12mm
- D. 33Sets. (1)22mm+(1)50mm Baguette+(1)14mm+(1)10mm
- E. 1Piece AS8-40mm
- F. 21Sets. (1)22mm Square
- G. 66Sets. (1)22mm Square

WARNING: This product can expose you to Lead, which is known to the State of California to cause cancer and/or birth defects or reproductive harm. For more information go to www.P65Warnings.ca.gov

CRYSTORAMA

LIGHTING THE WAY FOR SIXTY YEARS

PART NUMBER MODEL #ROS-A1009-CH-CL-MWP



Part Number

Part Numbers

- A. (2)-Wire Connector
- B. (1)-Mounting Plate
- C. (2)-Outlet Box Screws
- D. (1)-Lock Washer
- E. (1)-Hex Nut
- F. (1)-Nipple
- G. (1)-Canopy; w5" x h1" (XFB1009CHCAN5IN)
- H. (1)-Collar Ring
- I. (1)-Collar Loop
- J. (1)-Chain; 72", 5mm (XFB1009CHCHA5MM)
- K. (1)-Ground Wire
- L. (1)-Top Band Ring
- M. (1)-Top Rod; 17", 16MM thickness
- N. (1)-Band Ring
- O. (1)-Bottom Rod; 5.5", 10MM thickness
- P. (1)-Bottom Metal Ring
- Q. (1)-Bottom Threaded Pipe; 3.3", 10MM thickness
- R. (1)-Glass Dish; Ø4" 11mm hole (XFB1004CHDIBOB4IN)
- S. (1)-Small Metal Dish
- T. (1)-Finial (XFB1009CHFIN)
- U. (1)-Metal Plate