

CRYSTORAMA

LIGHTING THE WAY FOR SIXTY YEARS

ASSEMBLY INSTRUCTION MODEL #FOS-A8050-CH

WARNING:

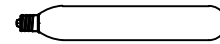


Electrical Danger



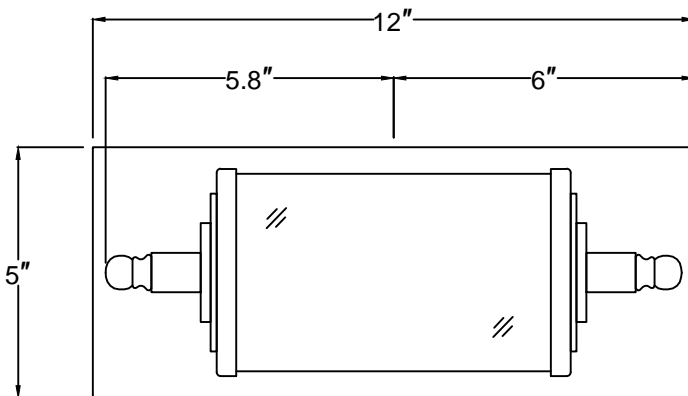
Turn Power Off

All electrical components must be installed by a licensed electrician in accordance with the National Electric Code and the appropriate local electrical codes.



You will need 1-3W 300lumens
2700k T10-LED dimmable Bulb included
USE LED BULBS FOR EXTENDED USE

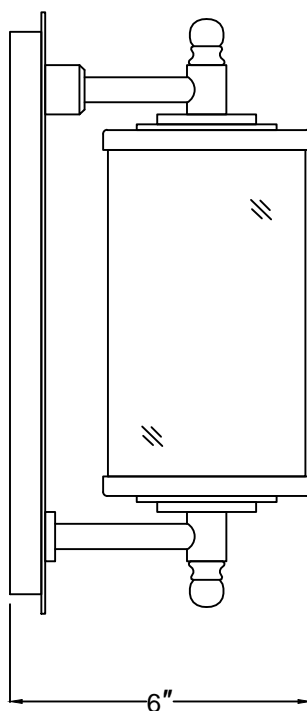
Horizontally




How to Install

1. Locate the fixture arm that has the cylinder nut.
2. With the enclosed wrench, remove the set screw within the cylinder nut.
3. On the same arm, unscrew the top finial and slowly remove the arm, lid and glass shade.
4. Install the recommended bulb and follow steps 1-3 in reverse, to assemble the shade and arm.
5. This fixture can now be connected and mounted horizontally or vertically.

Vertically



 WARNING: This product can expose you to Lead, which is known to the State of California to cause cancer and/or birth defects or reproductive harm. For more information go to www.P65Warnings.ca.gov

CRYSTORAMA

LIGHTING THE WAY FOR SIXTY YEARS

PART NUMBER MODEL #FOS-A8050-CH

Part Number

Part Numbers
A. Mounting Hardware
(1) Mounting Plate
(4) Outlet Box Screws
(4) Anchors
B. (1) Backplate; 4.2"x11.2"x0.63"h;
XMO8050CHBKP11.2IN
C. (1) Set screw
D. (1) Socket
E. (1) Glass shade; ϕ 3.9"x7"h;
XMO8050GLA7IN
F. (2) Lid;
XMO8050CHMECOVER
G. (2) Arm
H. (2) Finial; XMO8050CHBANUT
I. (1) Cylinder Nut

