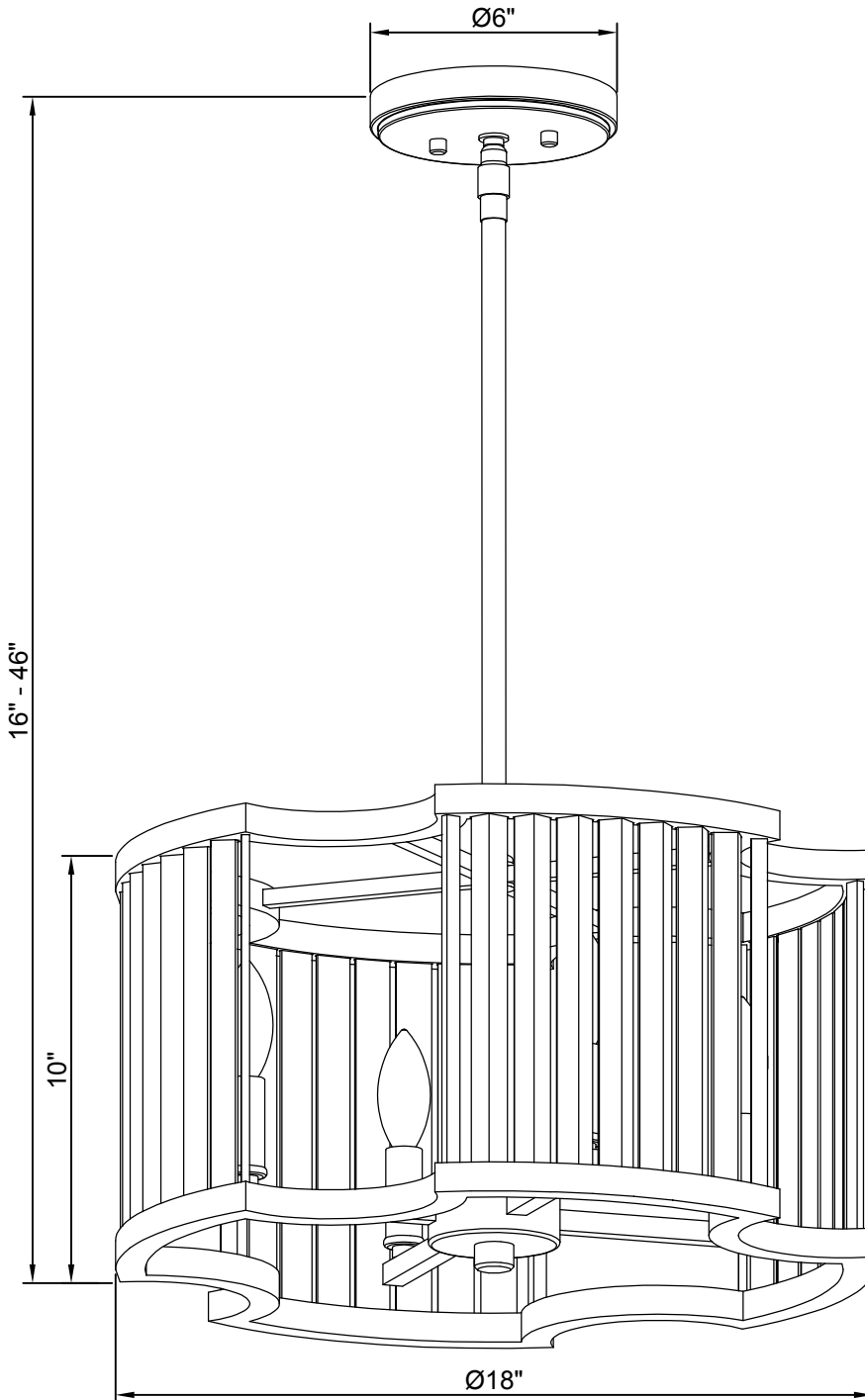


CRYSTORAMA

LIGHTING THE WAY FOR SIXTY YEARS

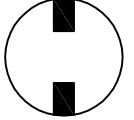
ASSEMBLY INSTRUCTION MODEL #DAR-1010-DT



WARNING:

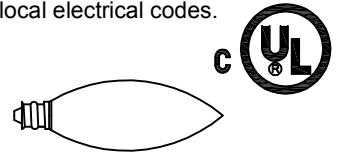


Electrical Danger



Turn Power Off

All electrical components must be installed by a licensed electrician in accordance with the National Electric Code and the appropriate local electrical codes.



You will need 4 - Candelabra Bulb
40 Watts Recommended 60 Watts Max.
USE LED BULBS FOR EXTENDED USE

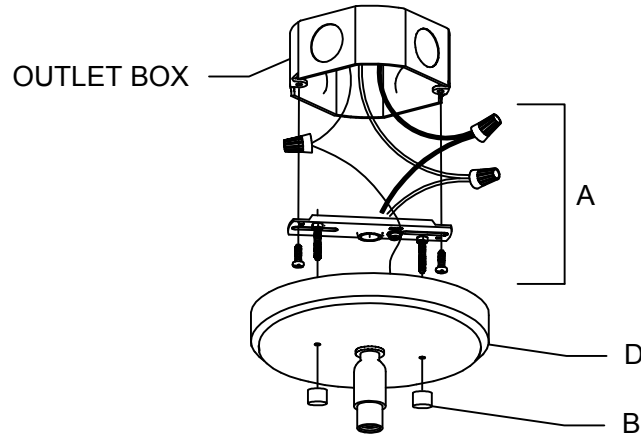
How to Install

1. Determine correct length of stem needed for hanging height. Screw the stem on the body and canopy.
2. Attach mounting plate to the outlet box using box screws.
3. Connect the fixture wires to the supply wires.
4. Mount the fixture to the outlet box with ball nuts.
5. Carefully insert the crystal bar into the frame.
6. Install the bulb (Not included) in accordance with the fixture's specifications. (DO NOT EXCEED THE MAXIMUM WATTAGE RATING!)

CRYSTORAMA

LIGHTING THE WAY FOR SIXTY YEARS

PART NUMBER MODEL #DAR-1010-DT



Part Number

Part Numbers

- A. Mounting Hardware
 - (3) - Wire connector
 - (1) - Mounting Plate
 - (2) - Box Screws
 - (1) - Grounding Screw
- B. (2) - Ball Nuts; XVE1010DTBANUT
- C. (28) - Crystal bar; W22xL250mm; XVE1010DTGLA
- D. (1) - Canopy; XVE1010DTCAN6IN
- E. Stem
 - (2) - 12" Stem; XVE1010DTROD12IN
 - (1) - 6" Stem; XVE1010DTROD6IN
 - (1) - 3" Stem; XVE1010DTROD3IN
- F. (1) - Cap

