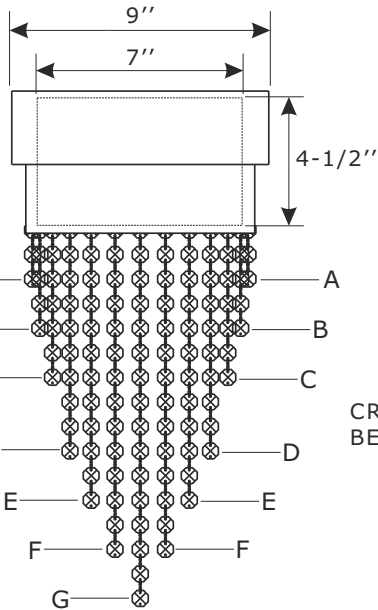
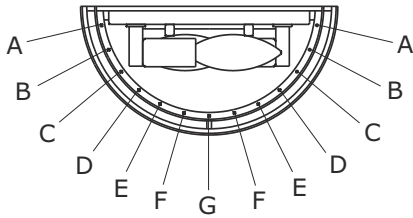


# CRYSTORAMA

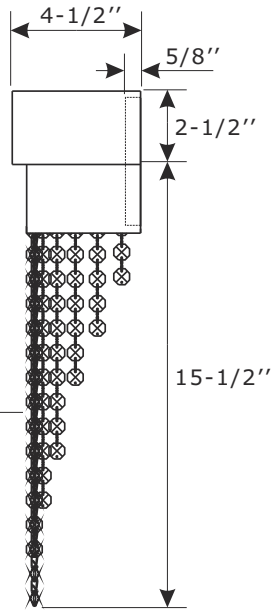
LIGHTING THE WAY FOR SIXTY YEARS

ASSEMBLY INSTRUCTION MODEL #CLA-A3202-PN-CL-MWP

TOP VIEW



FRONT VIEW



SIDE VIEW

**WARNING:**



Electrical Danger Turn Power off

All electrical components must be installed by a licensed electrician in accordance with the National Electric Code and the appropriate local electrical codes.



You will need 2- Candelabra Base Bulb  
40 Watts Recommended 60 Watts Max.  
USE LED BULBS FOR EXTENDED USE

**How to install**

1. Install the mounting plate to the outlet box using two outlet box screws.
2. Install the backplate onto the mounting plate, and secure with the finials.
3. Dress the crystals as illustrated. Start with letter "A"
4. Install the bulb(not included) into socket.

**Crystal Sets:**

A = (14mmx3pcs)x2sets

B = (14mmx5pcs)x2sets

C = (14mmx7pcs)x2sets

D = (14mmx10pcs)x2sets

E = (14mmx12pcs)x2sets

F = (14mmx14pcs)x2sets

G = (14mmx16pcs)x1set

WARNING: This product can expose you to Lead which is known to the state of California to cause cancer and/or birth defects or reproductive harm. For more information go to [www.P65Warnings.ca.gov](http://www.P65Warnings.ca.gov)

# CRYSTORAMA

LIGHTING THE WAY FOR SIXTY YEARS

PART NUMBER MODEL#CLA-A3202-PN-CL-MWP

## Part Number

### Part Numbers

- A. (1)-Mounting hardware
- B. (1)-Backplate L7"xW4-1/2"xD5/8" #XRF3202PNBKP7IN
- C. (2)-Finial #XRF3202PNFIN
- D. (2)-Socket
- E. (1)-Band frame

