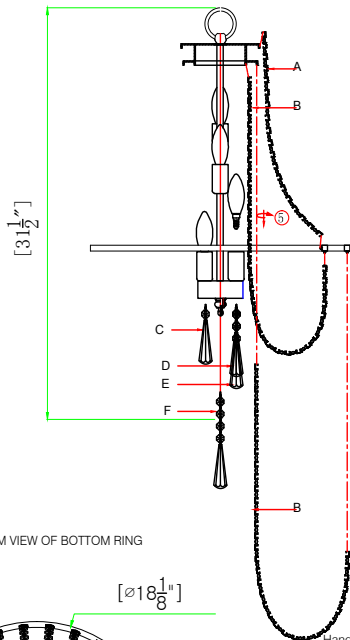
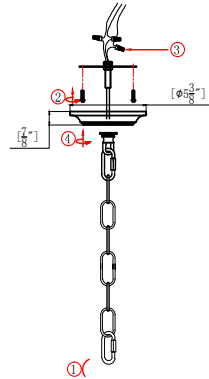


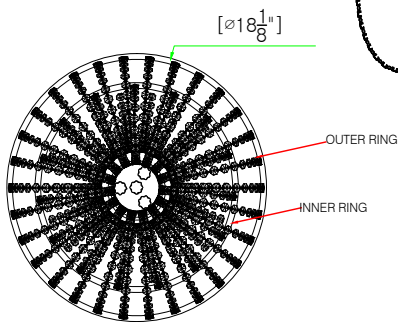
CRYSTORAMA

LIGHTING THE WAY FOR SIXTY YEARS

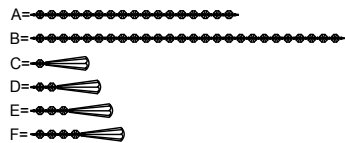
ASSEMBLY INSTRUCTION MODEL #ARC-1907-SA-CL-MWP



BOTTOM VIEW OF BOTTOM RING



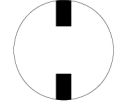
Hang crystal strand "B" alternating on inner ring and outer ring



WARNING:



Electrical Danger Turn Power Off



All electrical components must be installed by a licensed electrician in accordance with the National Electric Code and the appropriate local electrical codes.



You will need 4 Candelabra Base Bulb
40 Watts Recommended 60 Watts Max.
USE LED BULBS FOR EXTENDED USE

How to Install

1. Do a complete inventory of all parts and components before you start installing.
2. Assemble one end of chain to fixture loop by opening quick link. Fasten mounting hardware to junction box with machine screws. After wires are connected, turn screw collar loop onto nipple, then place canopy up against ceiling and lock by screw collar loop ring.
3. After safely attaching fixture into junction box, install bulbs and proceed to connecting the power.
4. When you begin to dress the fixture, start with package labeled (A).
5. IMPORTANT: Apply crystal sets in alphabetical order.

Crystal Sets

- A. 18sets 18*14mm
- B. 45sets 34*14mm
- C. 1set 1*14mm+1*76mm drop
- D. 1set 2*14mm+1*76mm drop
- E. 1set 3*14mm+1*76mm drop
- F. 1set 4*14mm+1*76mm drop

WARNING: This product can expose you to Lead, which is known to the State of California to cause cancer and/or birth defects or reproductive harm. For more information go to www.P65Warnings.ca.gov

CRYSTORAMA

LIGHTING THE WAY FOR SIXTY YEARS

PART NUMBER MODEL #ARC-1907-SA-CL-MWP

Part Number

Part Numbers

- A. (1)-Mounting Hardware
- B. (1)-Canopy; $\phi 5 \times H 1$ " (XBN1905SACAN5IN)
- C. (1)-Screw Collar Loop Ring
- D. (1)-Screw Collar Loop
- E. (1)-Chain; $\phi 1/5 \times L 72$ " (XBN1907SACHA5MM)
- F. (1)-Fixture Loop; $\phi 2$ " (XBN1907SALOO)
- G. (1)-Upper Ring; $\phi 5 1/2$ "
- H. (1)-Lower Ring; $\phi 5 2/5$ "
- I. (1)-Center Stem; L16" (XBN1907SASTEM16IN)
- J. (1)-Bottom Ring; $\phi 18$ "
- K. (1)-Bottom Finial; H1 1/5" (XBN1907SAFIN)

