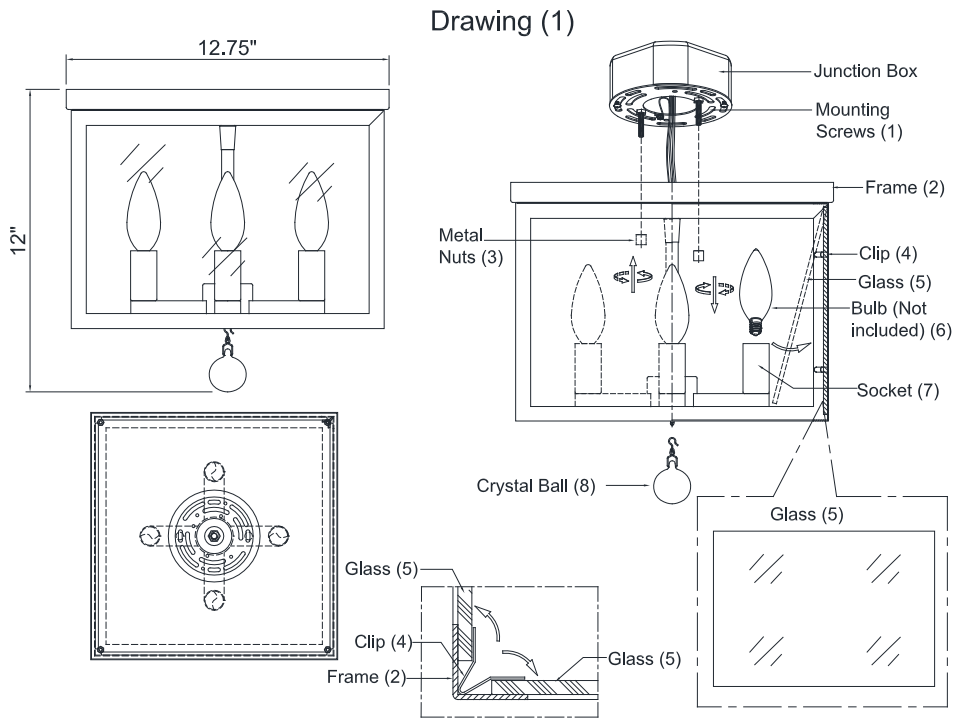


# CRYSTORAMA

LIGHTING THE WAY FOR SIXTY YEARS

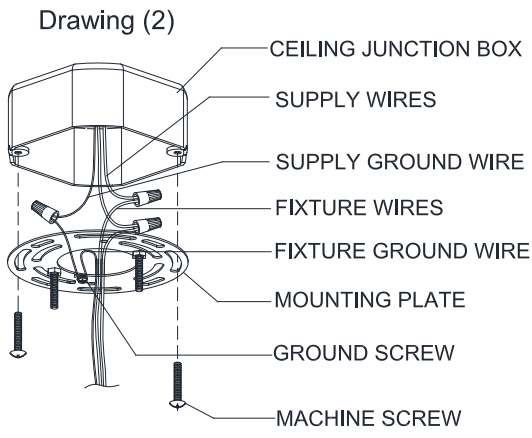
## ASSEMBLY INSTRUCTION MODEL #WES-9900-BK-GA



All electrical components must be installed by a licensed electrician in accordance with the National Electric Code and the appropriate local electrical codes.



**You will need 4-Candelabra  
40 Watts Recommended 60 Watts Max  
USE LED BULBS FOR EXTENDED USE**



**How to Install:**

- Slide Glass (5) into the Frame (2) and bend glass Clip (4).
- Install the Bulb (6) to the Socket (7).
- The canopy of the fixture can now be mounted to the ceiling by following instruction **Drawing 2**.
- Attach the Frame (2) onto the ceiling, using Mounting Screws (1) and securing with the Metal Nuts (3) until tight.
- Hook the Crystal Ball (8) to the bottom of Frame.

**Replacement Glass installation:**

- Follow instructions # 1 above to install new glass.

**Bulb replacement:**

- Install the Bulb (6) into the Socket (7).

**WARNING:** This product can expose you to lead, which is known to the state of California to cause cancer and / or birth defects or reproductive harm. For more information go to [www.P65warnings.ca.gov](http://www.P65warnings.ca.gov)

# CRYSTORAMA

LIGHTING THE WAY FOR SIXTY YEARS

## ASSEMBLY INSTRUCTION MODEL #WES-9900-BK-GA

### Part Number

#### Part Numbers

- A. (1) Mounting Hardware
- B. (1) Frame
- C. (4) Glass; w8.15" x h11.6" (XFW9900GLA11.6IN)
- D. (2) Metal Nut (XFW9900BKGABANUT)
- E. (4) Bulbs (Not included)
- F. (4) Socket (H2 ")
- G. (1) Crystal Ball; w1.45" x h2.64" ( XFW9900CRYBALL)

