


CRYSTORAMA

95 Cantiague Rock Road, Westbury NY 11590 | P:800.888.4470 | F:516.931.1254 | info@crystorama.com | CRYSTORAMA.com

MODEL#: DUM9803GE
ASSEMBLY AND DRESSING INSTRUCTIONS

WARNING



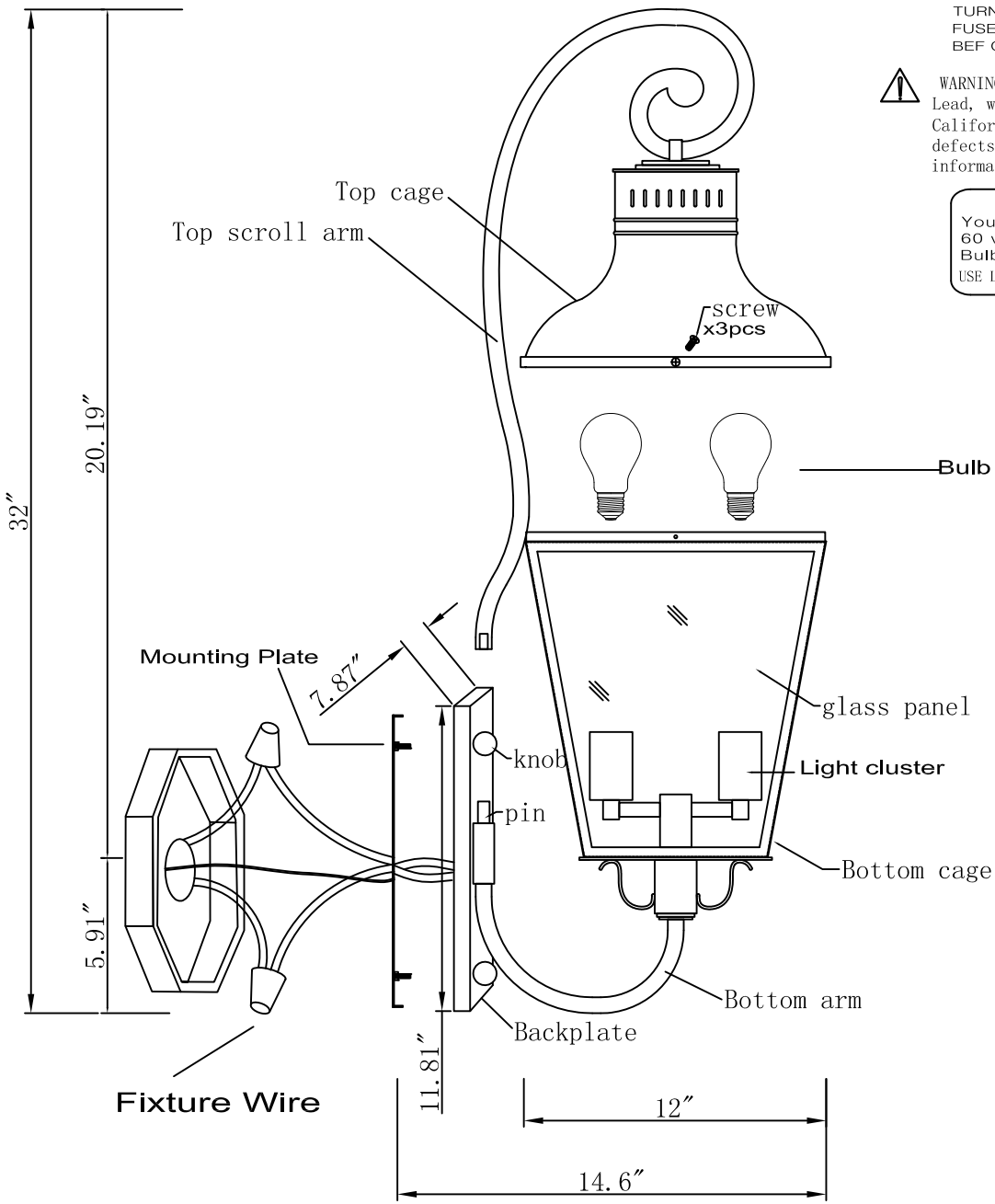
Electrical Danger Turn Power Off

IMPORTANT

TURN OFF THE POWER AT THE MAIN FUSE OR CIRCUIT BREAKER BOX BEFORE STARTING INSTALLATION

WARNING: This product can expose you to Lead, which is known to the State of California to cause cancer and/or birth defects or reproductive harm. For more information go to www.P65Warnings.ca.gov

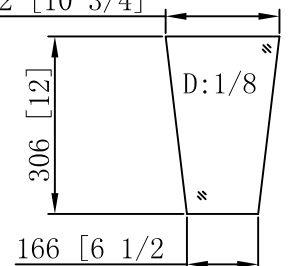
 You will need 3-med.BULBS
 60 watts Max
 Bulbs not included
 USE LED BULBS FOR EXTENDED USE



How to change bulb

- 1.Remove the 3pcs of screws on top cage.
- 2.Pull the top scroll arm out of the pin on the top of bottom arm .

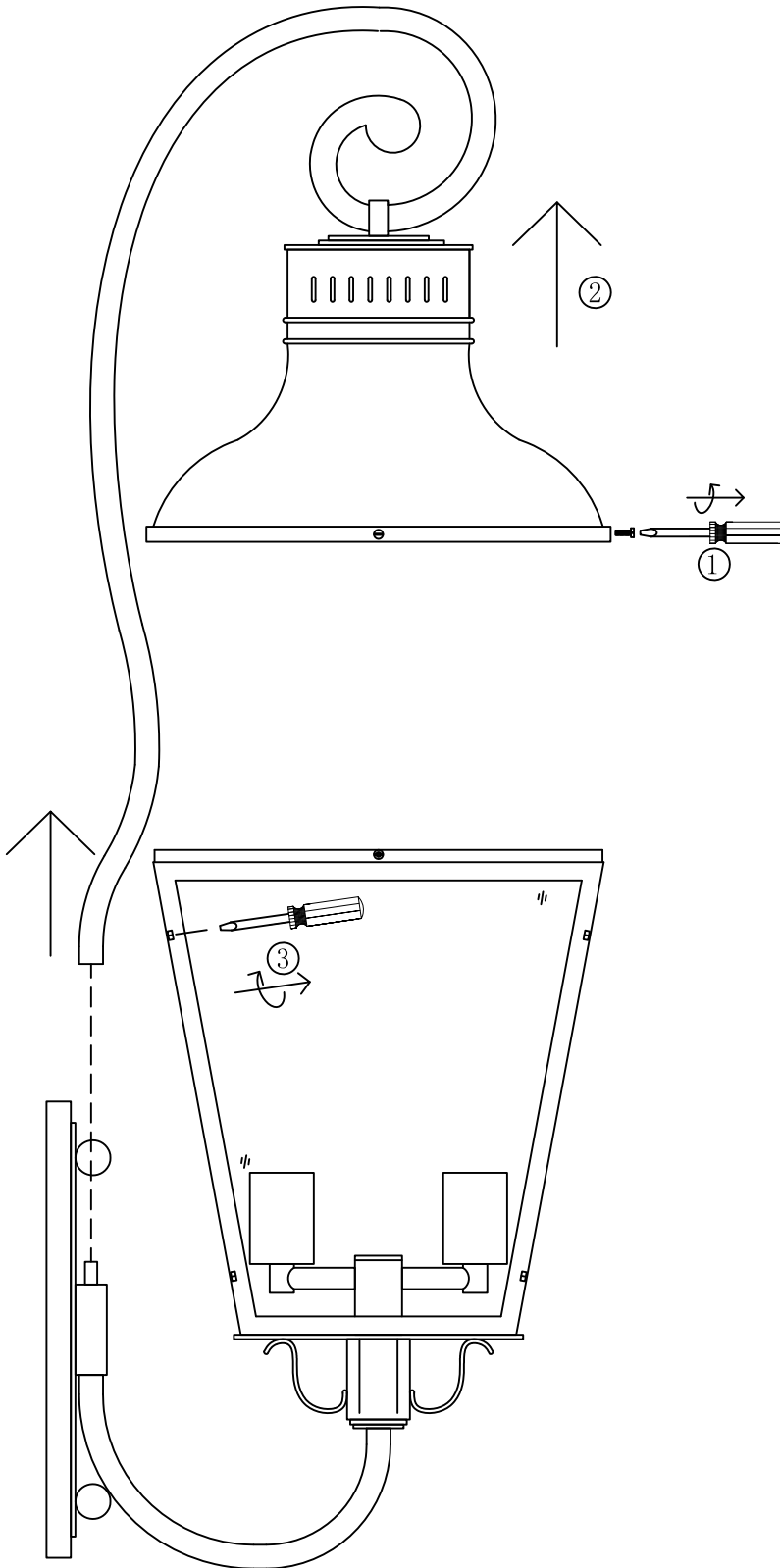
Glass Size:
 272 [10 3/4]



After securing fixture to wall, it is recommended that the gap between the wall and backplate be sealed on top and both sides with a good quality waterproof caulk or silicone sealant (not included)

DUM9803GE Assembly of glass:

the cage should be taken off by removing the bottom four screws for easy replacement of glass panel If any breakage:



Glass Size:

272 [10 3/4]

