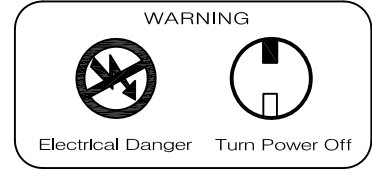


# CRYSTORAMA

95 Cantiague Rock Road, Westbury NY 11590 | P:800.888.4470 | F:516.931.1254 | info@crystorama.com | CRYSTORAMA.com

## MODEL#: DUM9807GE ASSEMBLY AND DRESSING INSTRUCTIONS



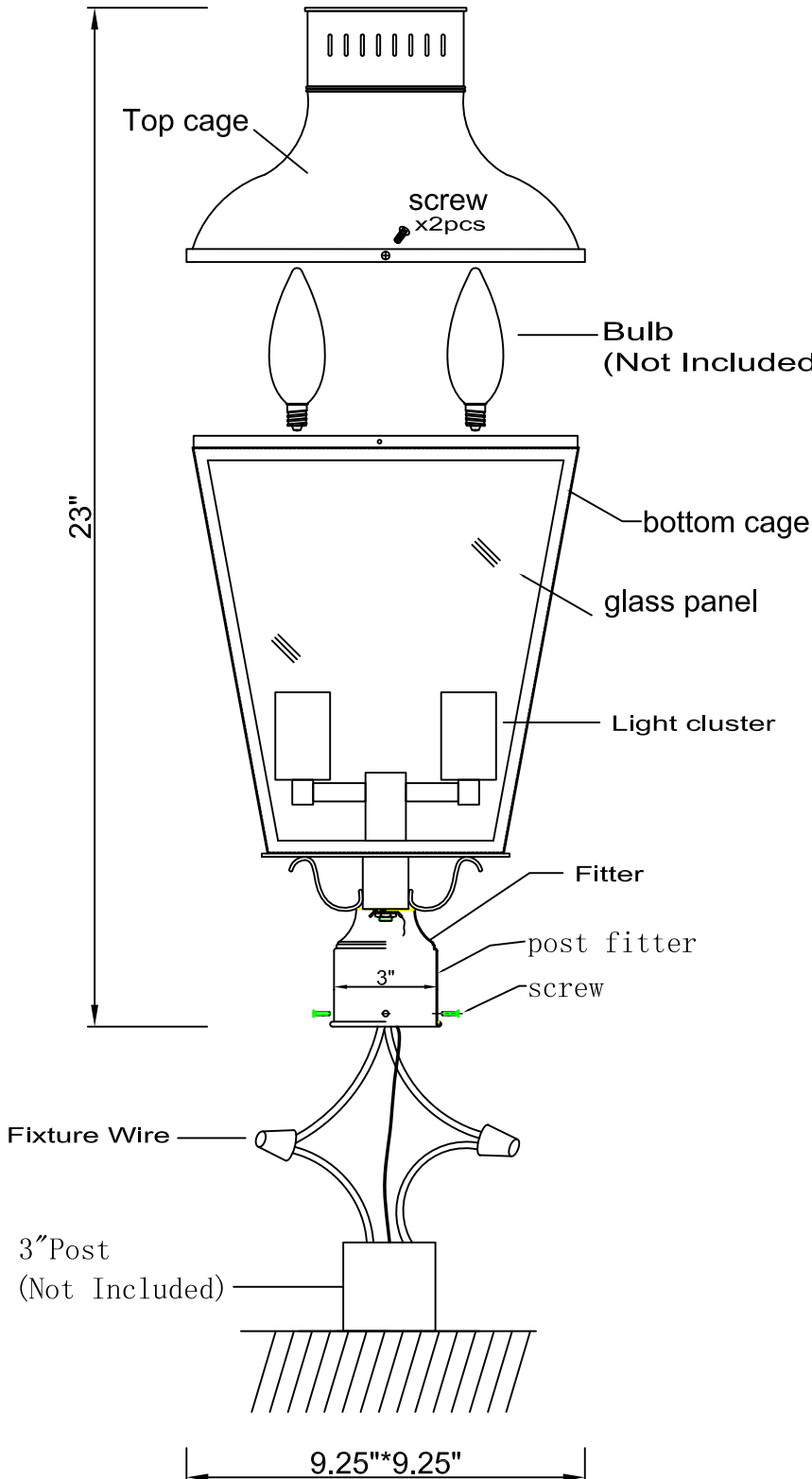
### IMPORTANT

TURN OFF THE POWER AT THE MAIN FUSE OR CIRCUIT BREAKER BOX BEFORE STARTING INSTALLATION



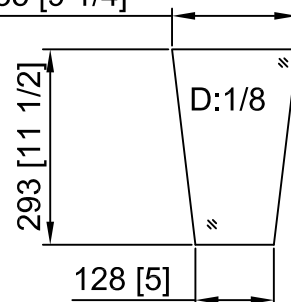
WARNING: This product can expose you to Lead, which is known to the State of California to cause cancer and/or birth defects or reproductive harm. For more information go to [www.P65Warnings.ca.gov](http://www.P65Warnings.ca.gov)

You will need 3-Cand. BULBS  
60 watts Max  
Bulbs not included  
USE LED BULBS FOR EXTENDED USE



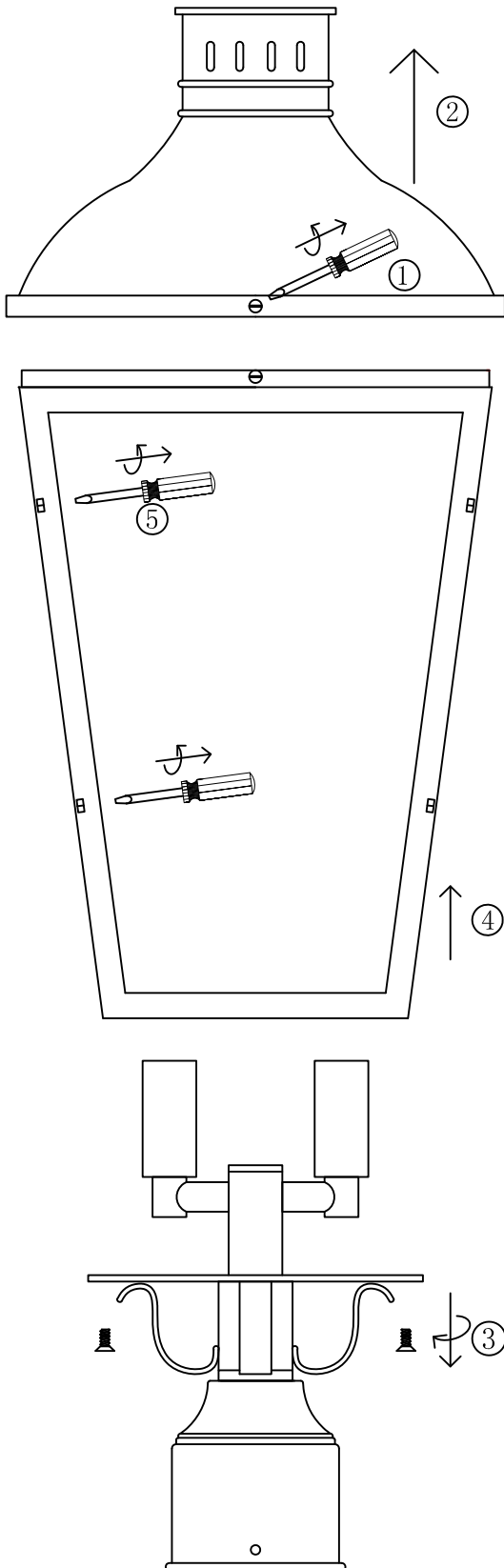
### Glass Size:

235 [9 1/4]



# DUM9807GE Assembly of glass:

the cage should be taken off by removing the bottom four screws for easy replacement of glass panel If any breakage:



## Glass Size:

