

CRYSTORAMA

1958

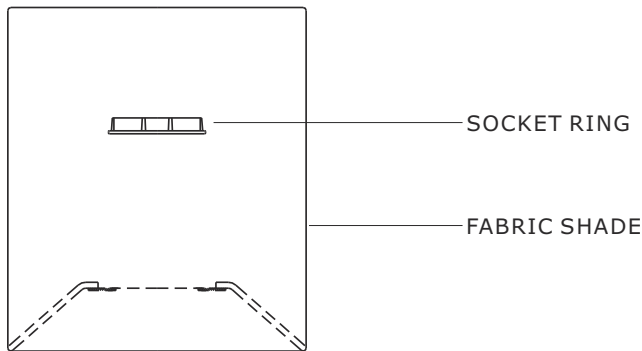
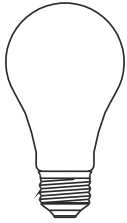
95 Cantiague Rock Road, Westbury, NY 11590 • toll free: 1.800.888.4470 fax: 516.931.1254 • info@crystorama.com • www.crystorama.com

MODEL #: CHA-491-PN ASSEMBLY AND DRESSING INSTRUCTIONS



WARNING: This product can expose you to Lead which is known to the state of California to cause cancer and/or birth defects or reproductive harm. For more information go to www.P65Warnings.ca.gov

All electrical components must be installed by a licensed electrician in accordance with the National Electric Code and the appropriate local electrical codes.



You will need 1 Medium base bulbs 60 Watts recommended, Use LED bulbs for Extended use. Bulb not included

