

CRYSTORAMA

95 Cantiague Rock Road , Westbury, NY 11590 • toll free: 1.800.888.4470 fax: 516.931 .1254 • info@crystorama.com • www.crystorama.com

MODEL#: 511-GA ASSEMBLY AND DRESSING INSTRUCTIONS

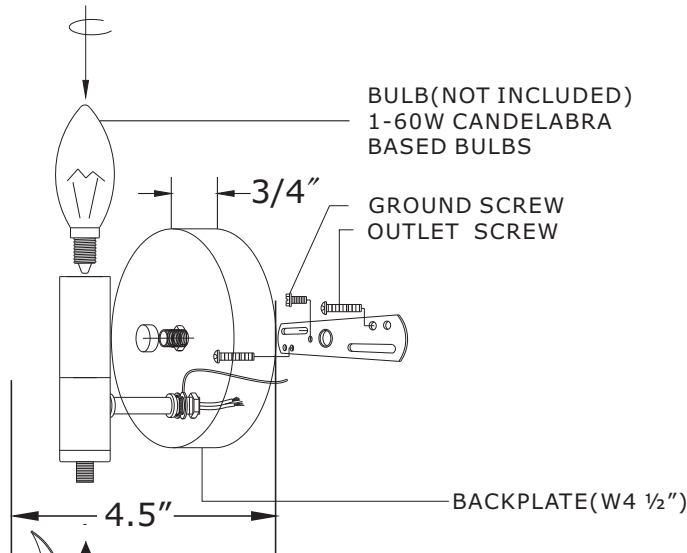


⚠️ WARNING: This product can expose you to Lead, which is known to the State of California to cause cancer and/or birth defects or reproductive harm. For more information go to www.P65Warnings.ca.gov

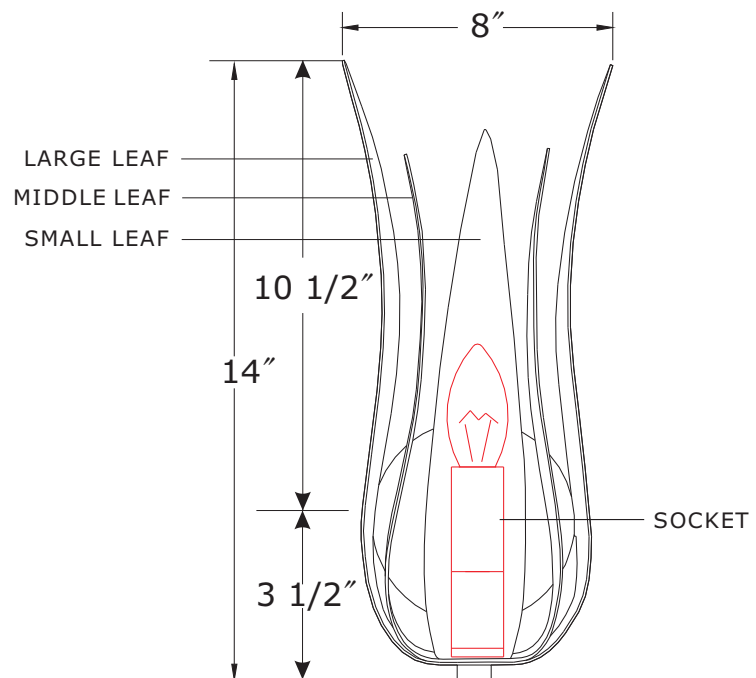
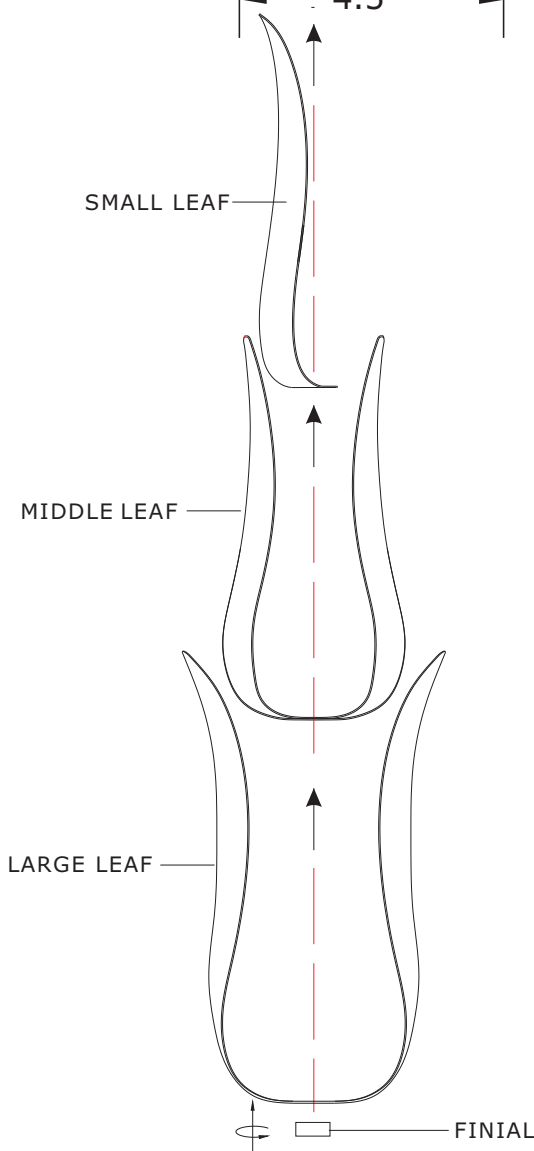
All electrical components must be installed by a licensed electrician in accordance with the National Electric Code and the appropriate local electrical codes



You will need 1 Candelabra bulbs. 40 Watts recommended 60 Watts max. Bulb not included.
USE LED FOR EXTENDED USE



(The leaves can be adjusted by bending them slightly)



ASSEMBLY INSTRUCTIONS:

1. Please remove all three leaves before installing the fixture onto the outlet box.
2. Install the backplate onto the outlet box.
3. Then proceed with putting the 3 leaves back onto the fixture per the sequence as illustrated.
4. First place the small leaf over the socket.
5. Followed by the middle leaf.
6. Lastly the large leaf.
7. Secure by screwing on the finial.