

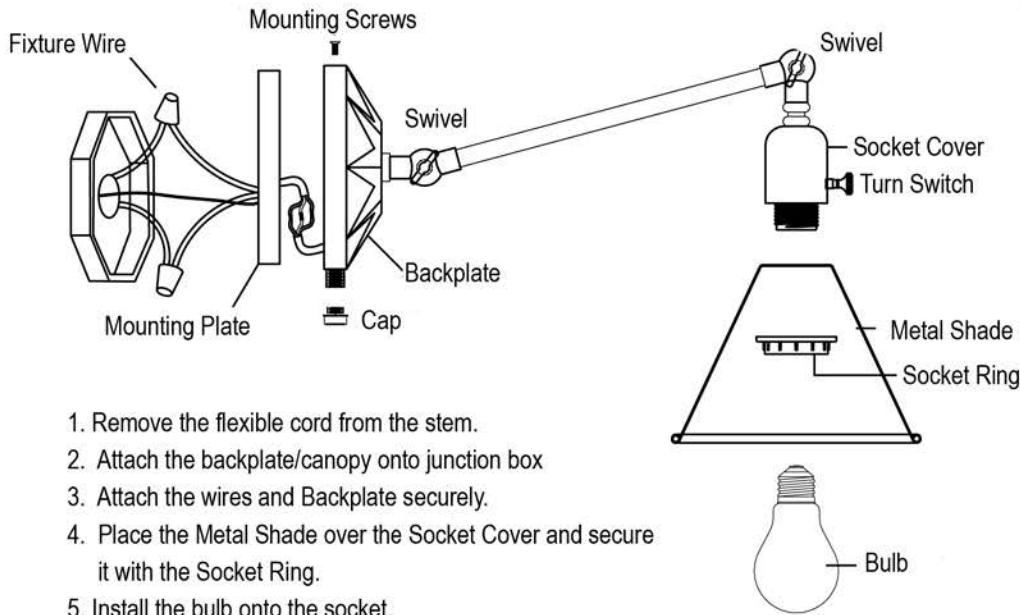
CRYSTORAMA

1958

95 Cantiague Rock Road, Westbury, NY 11590 • toll free: 1.800.888.4470 fax: 516.931.1254 • info@crystorama.com • www.crystorama.com

MODEL #: MOR-8800-AG ASSEMBLY AND DRESSING INSTRUCTIONS

Hard-Wire



1. Remove the flexible cord from the stem.
2. Attach the backplate/canopy onto junction box
3. Attach the wires and Backplate securely.
4. Place the Metal Shade over the Socket Cover and secure it with the Socket Ring.
5. Install the bulb onto the socket.



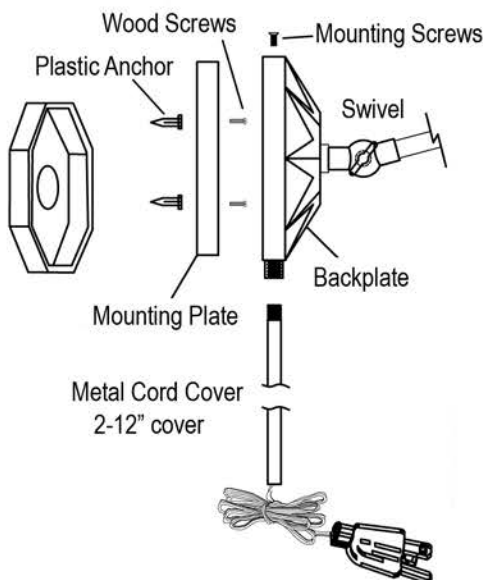
WARNING: This product can expose you to Lead, which is known to the State of California to cause cancer and/or birth defects or reproductive harm. For more information go to www.P65Warnings.ca.gov

All electrical components must be installed by a licensed electrician in accordance with the National Electric Code and the appropriate local electrical codes.



You will need medium base Socket Bulb
60 Watt maximum
Use LED bulb for extended use.

Plug-In



1. Use the plastic anchor and wood screws to mount the fixture onto the wall surface. The outlet box is not necessary for this application.
2. Follow the steps #4 and #5 above.
3. Plug-into the wall outlet.

Dimensions

