

CRYSTORAMA

1958

95 Cantiague Rock Road, Westbury, NY 11590 • toll free: 1.800.888.4470 fax: 516.931.1254 • info@crystorama.com • www.crystorama.com

MODEL#: 3812-AG ASSEMBLY AND DRESSING INSTRUCTIONS

WARNING:



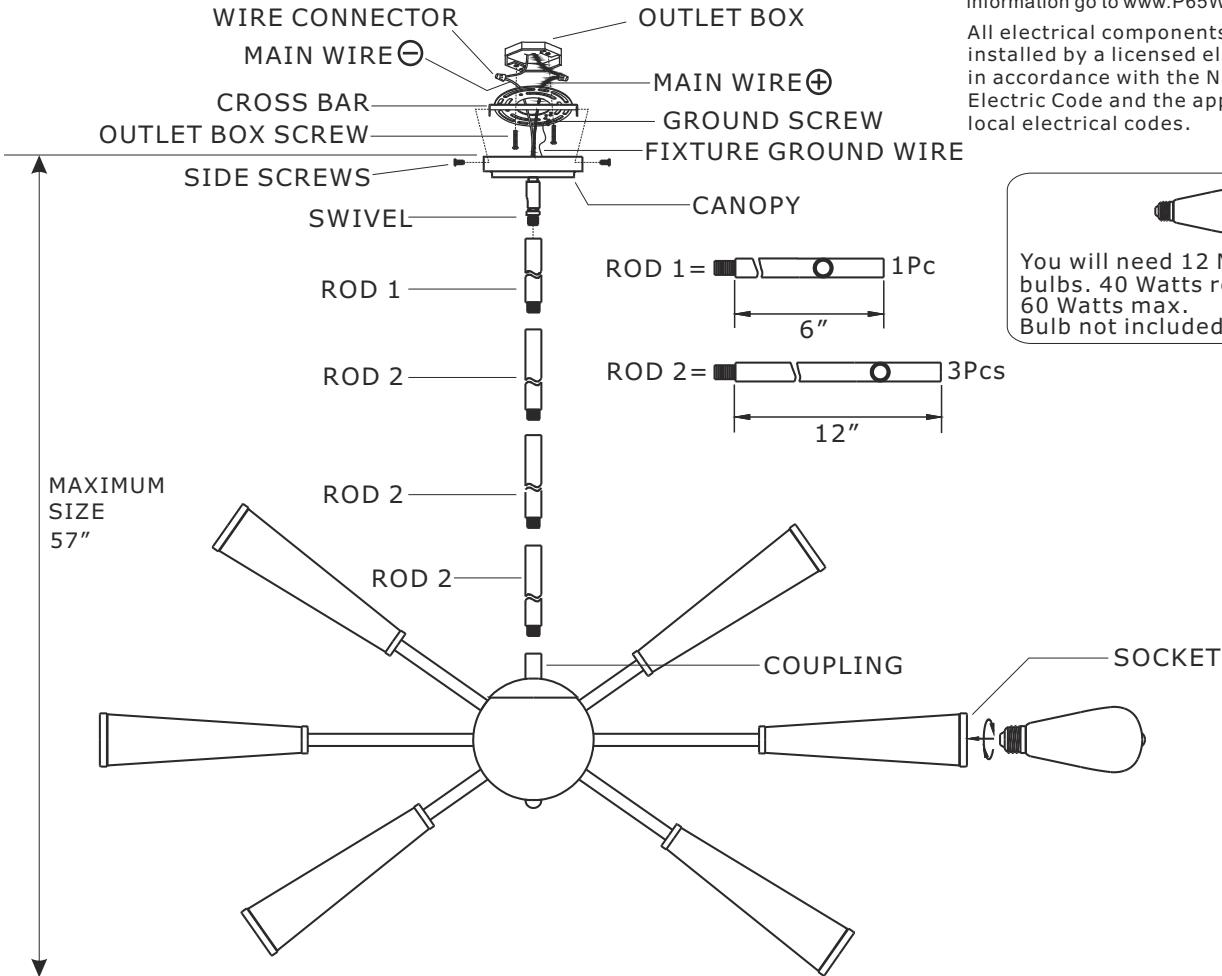
Electrical Danger



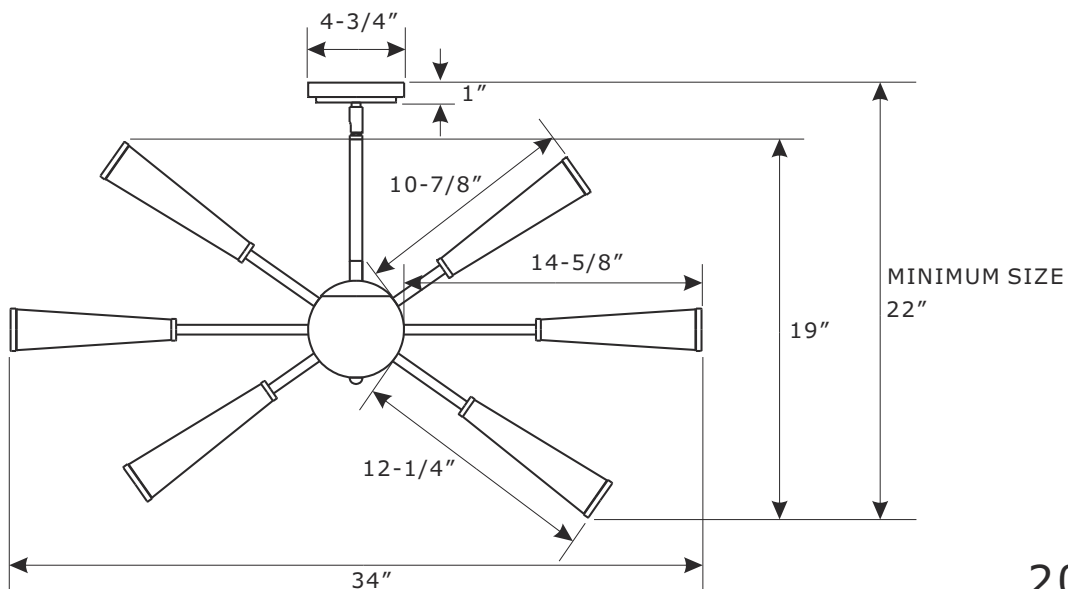
Turn Power off

⚠️ WARNING: This product can expose you to Lead which is known to the state of California to cause cancer and/or birth defects or reproductive harm. For more information go to www.P65Warnings.ca.gov

All electrical components must be installed by a licensed electrician in accordance with the National Electric Code and the appropriate local electrical codes.



You will need 12 Medium ST58 bulbs. 40 Watts recommended 60 Watts max. Bulb not included.



2018-08