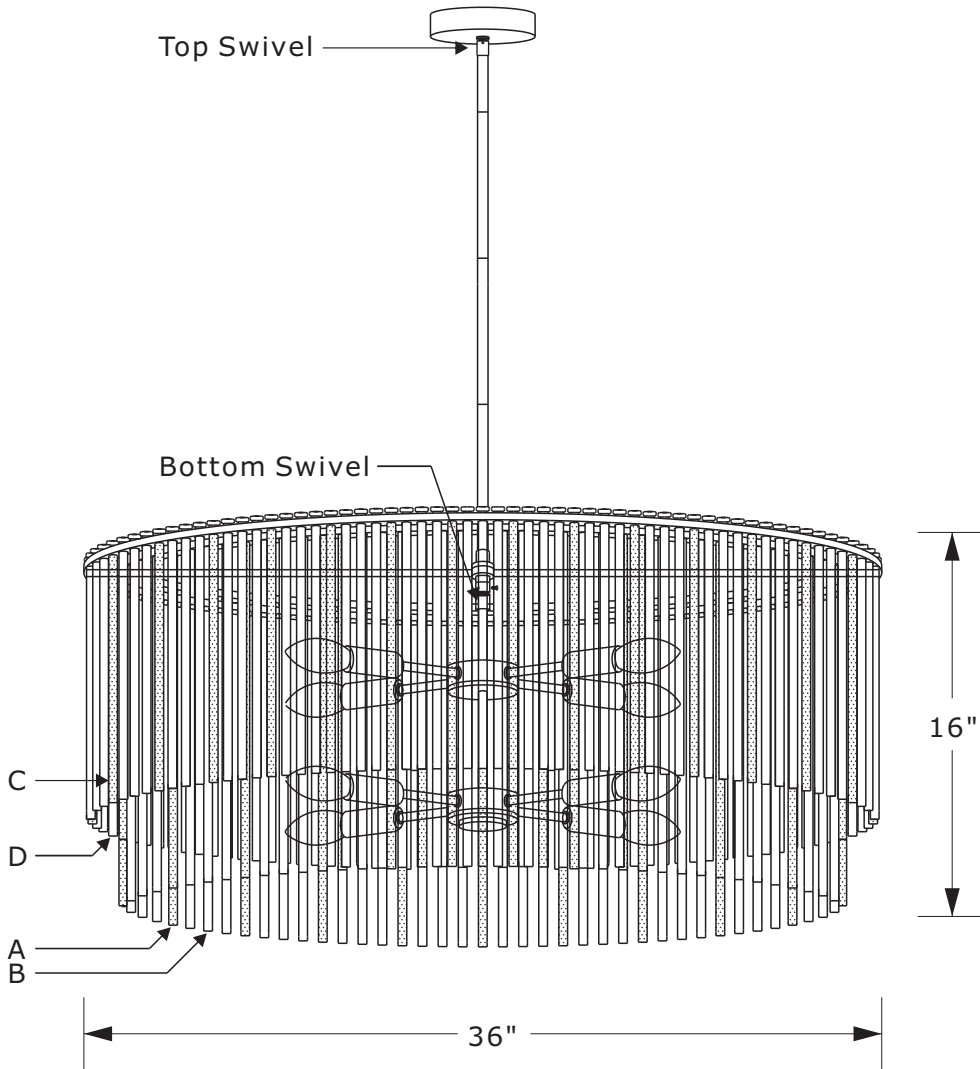


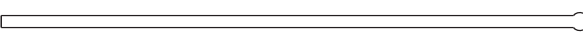
# CRYSTORAMA

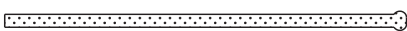
LIGHTING THE WAY FOR SIXTY YEARS

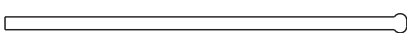
## ASSEMBLY INSTRUCTION MODEL #398-CH



A = 

B = 

C = 

D = 

**NOTE:** Installation sequence of glass rods  
3 clear + 1 frosted rods and then repeat.

**WARNING:**



Electrical Danger Turn Power Off

All electrical components must be installed by a licensed electrician in accordance with the National Electric Code and the appropriate local electrical codes.



You will need 8 -Candelabra Base Bulb  
40 Watts Recommended 60 Watts Max.  
USE LED BULBS FOR EXTENDED USE

### How to Install

1. Do a complete inventory of all parts and components before you start installation.
2. Attach the light clusters center Stem onto the bottom swivel.
3. Attach all four hanging stems together, making sure the 6" stem is installed and located at the top.
4. Feed fixtures wiring through the stem assembly prior to connection.
5. Now take the bottom of the stem assembly (12" stem) and connect it to the metal frame.
6. The top side of the stem assembly (6" stem), will then be attached to the top swivel.
7. Insert recommended bulb (not included).
8. Dress the fixture with glass rods "A" "B" "C" and "D" as illustrated.

### Glass Rod Sets

- A. 20 Pieces. 16" Frosted glass rod
- B. 60 Pieces. 16" Clear glass rod
- C. 20 Pieces. 12" Frosted glass rod
- D. 60 Pieces. 12" Clear glass rod

**WARNING:** This product can expose you to Lead, which is known to the State of California to cause cancer and/or birth defects or reproductive harm. For more information go to [www.P65Warnings.ca.gov](http://www.P65Warnings.ca.gov).

# CRYSTORAMA

LIGHTING THE WAY FOR SIXTY YEARS

PART NUMBER MODEL #398-CH

## Part Number

- A. (1) - Mounting Hardware
- B. (1) - Canopy(L8",W5",H0.75") #XRE398CHCAN8IN
- C. (2) - Flat Screw
- D. (1) - Top Swivel
- E. (4) - Threaded Pipe
- F. (1) - Hanging Stem(6",15.9mm) #XRE394CHROD6IN
- G. (3) - Hanging Stem(12",15.9mm) #XRE394CHROD12IN
- H. (1) - Metal Frame
- I. (1) - Bottom Swivel

