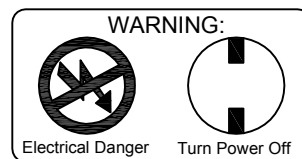
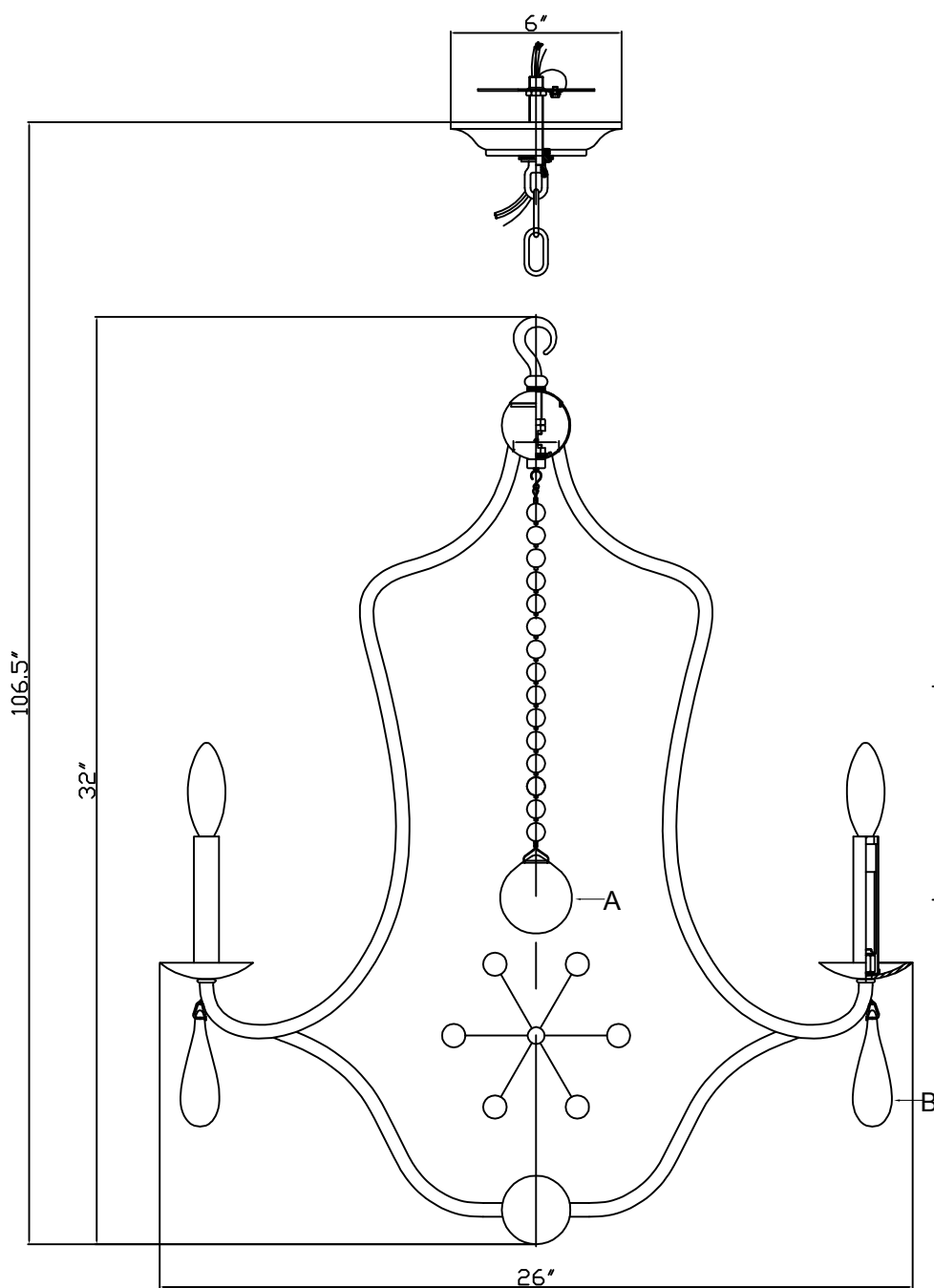


CRYSTORAMA

LIGHTING THE WAY FOR SIXTY YEARS

ASSEMBLY INSTRUCTION MODEL #5976-SL



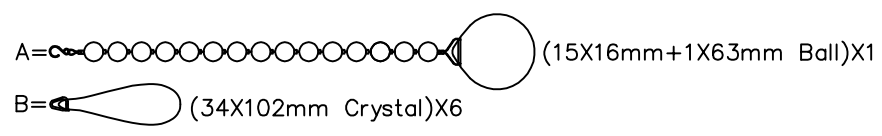
All electrical components must be installed by a licensed electrician in accordance with the National Electric Code and the appropriate local electrical codes.



- You will need 6 - Cand.Bulb
- 40 Watts Recommended
- 60 Watts Max
- USE LED BULBS FOR EXTENDED USE

- How to Install For Hanging**
1. Install the bulbs(not included) to the socket.
 2. Hang the crystal drop to the body.
 3. The canopy of the fixture can be mounted to the ceiling.

- Crystal sets**
- A. 1 piece. (1)63mm+(15)16mm.
 - B. 6 pieces. (1)34X102mm.

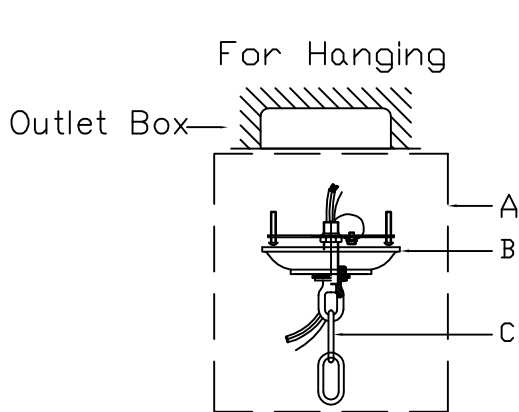


WARNING: This product can expose you to Lead, which is known to the State of California to cause cancer and/or birth defects or reproductive harm. For more information go to www.P65Warnings.ca.gov

CRYSTORAMA

LIGHTING THE WAY FOR SIXTY YEARS

PART NUMBER MODEL #5976-SL



Part Number

Part Numbers

- A. (1)—Mounting Hardware For Hanging
- B. (1)—Canopy For Hanging; W6"XH1"; XSU5973SLCAN6IN
- C. (1)—Chain; 72"; 4.0mm; XSU5973SLCHA4MM
- D. (1)—Hook
- E. (1)—Finial; XSU5973SLFIN
- F. (7)—Crystal Loop
- G. (1)—Fixture Body
- H. (6)—Candle Sleeve; $\phi 0.75$ "X4.75"; XSU5972SLCDL4.75IN
- I. (6)—Socket
- J. (6)—Bobèche; W3.25"H0.5"; XSU5973SLBOB3.25IN

