

# CRYSTORAMA

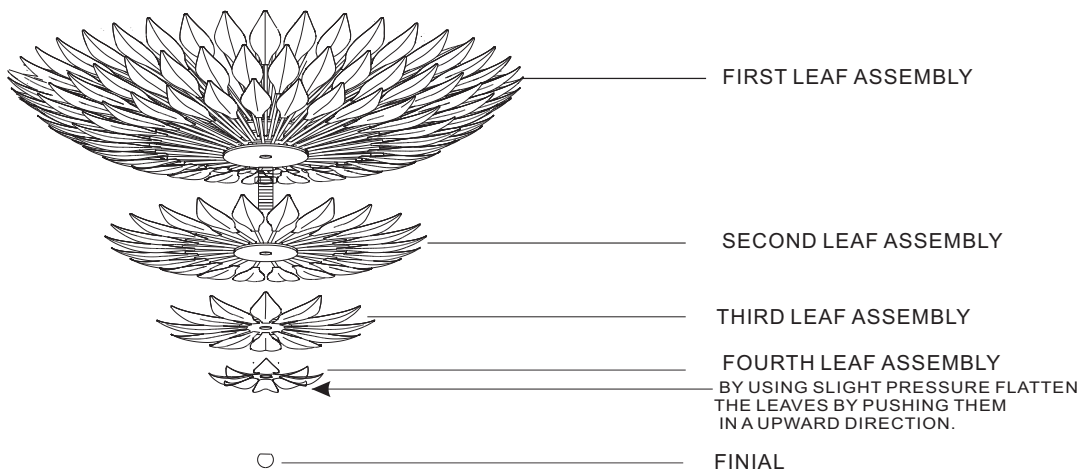
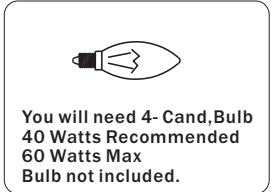
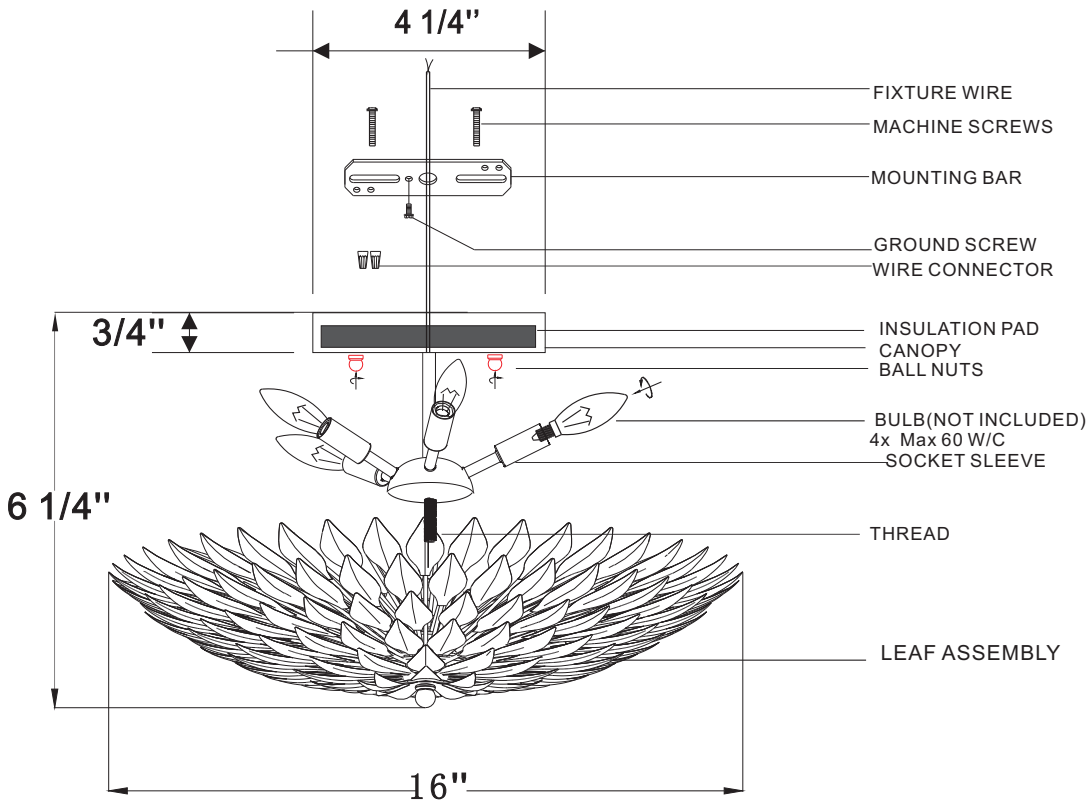
95 Cantiague Rock Road , Westbury, NY 11590 • toll free: 1.800.888.4470 fax: 516.931 .1254 • info@crystorama.com • www.crystorama.com

## MODEL#: 505-GA ASSEMBLY AND DRESSING INSTRUCTIONS



**⚠ WARNING:** This product can expose you to Lead, which is known to the State of California to cause cancer and/or birth defects or reproductive harm. For more information go to [www.P65Warnings.ca.gov](http://www.P65Warnings.ca.gov)

**All electrical components must be installed by a licensed electrician in accordance with the National Electric Code and the appropriate local electrical codes.**



NOTICE: FOR REPLACING THE BULB, PLEASE UNSCREW THE LEAF ASSEMBLY AS SHOWN ABOVE