

CRYST



RAMA

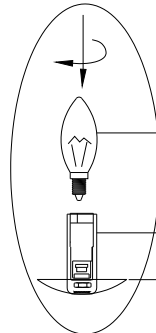
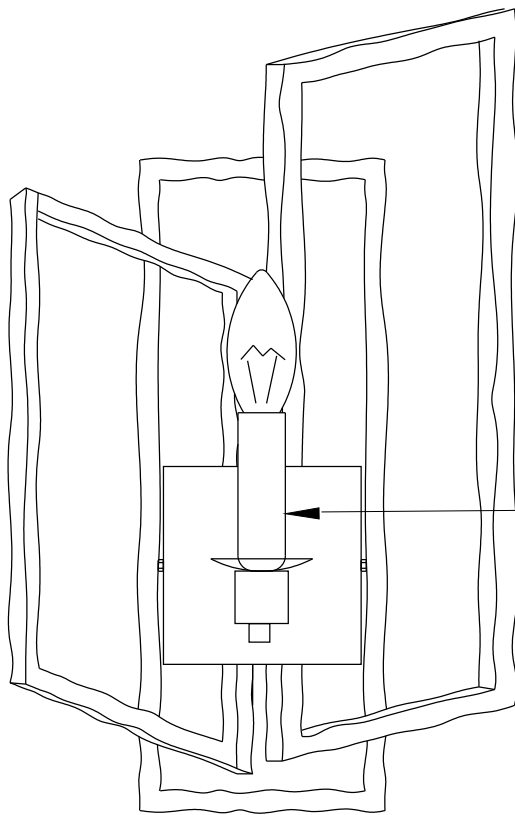
1958

95 Cantiague Rock Road, Westbury NY 11590
ph:516.931.9090 fax:516.931.1254
info@crystorama.com . www.crystorama.com

MODEL#:331-RS ASSEMBLY AND DRESSING INSTRUCTIONS



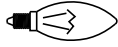
All electrical components must be installed by a licensed electrician in accordance with the National Electric Code and the appropriate local electrical codes.

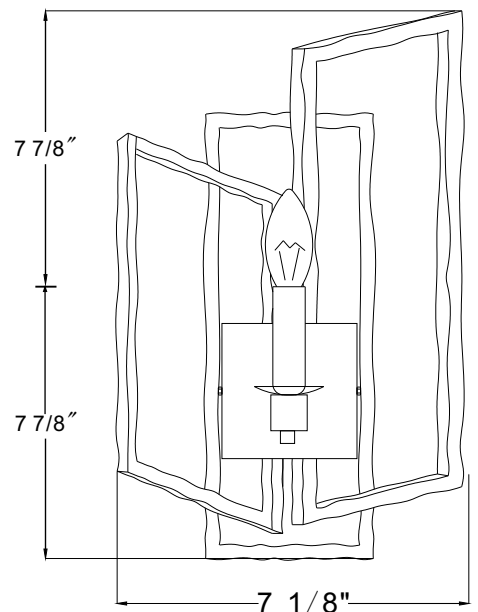
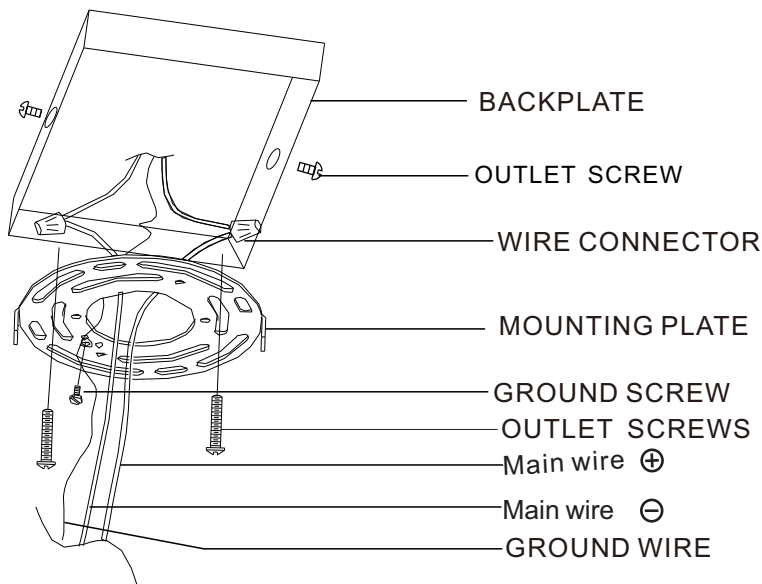


BULB (NOT INCLUDED)
1X MAX 60W/C

SOCKET SLEEVE

BOBECHE


You will need 1 Cand. Bulb
40 Watts Recommended
60 Watts Max
Bulb not included.



2014/11