

# CRYST



# RAMA

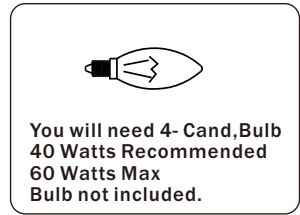
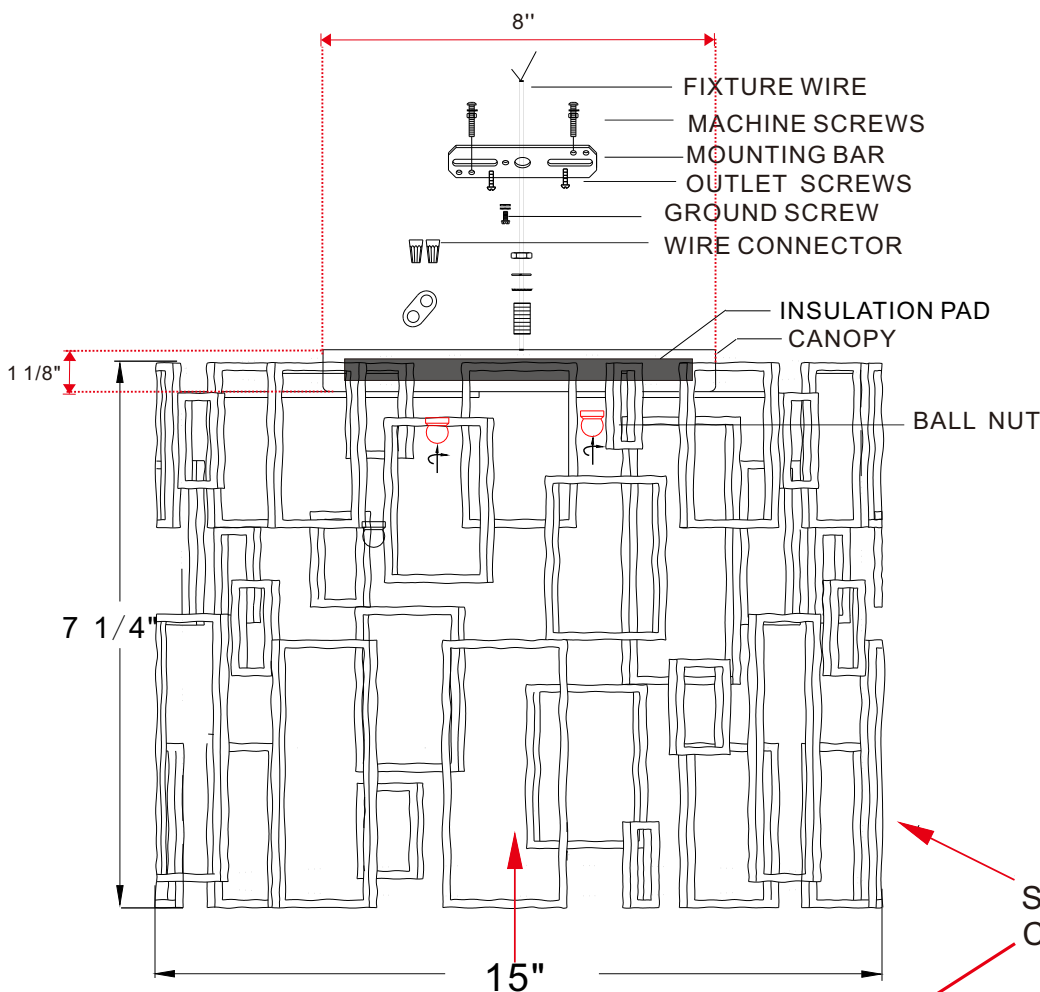
1958

95 Cantiague Rock Road, Westbury NY 11590  
ph: 516.931.9090 fax: 516.931.1254  
info@crystorama.com • www.crystorama.com

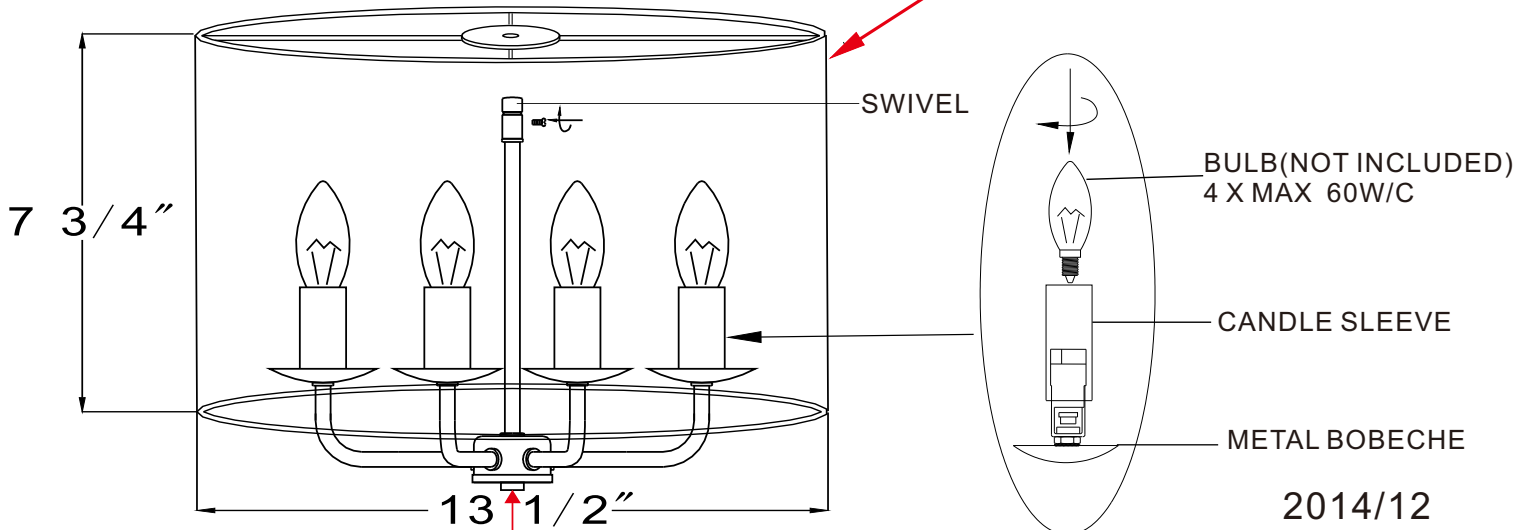
## MODEL#: 324-RS ASSEMBLY AND DRESSING INSTRUCTIONS



All electrical components must be installed by a licensed electrician in accordance with the National Electric Code and the appropriate local electrical codes.



SHADE INSIDE  
CAN BE EASILY CHANGED



2014/12