

# CRYST RAMA



1958

95 Cantiague Rock Road, Westbury NY 11590  
 ph:516.931.9090 fax:516.931.1254  
 info@crystorama.com . www.crystorama.com

## MODEL#:322-RS ASSEMBLY AND DRESSING INSTRUCTIONS

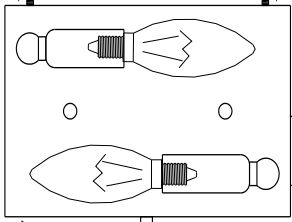
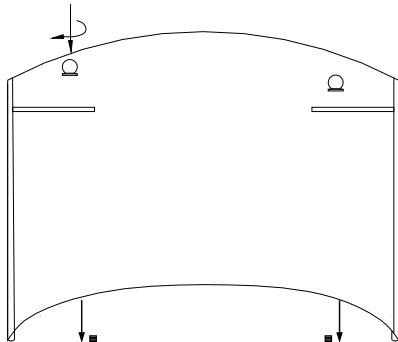
**WARNING:**

Electrical Danger      Turn Power off

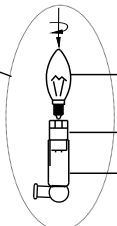
All electrical components must be installed by a licensed electrician in accordance with the National Electric Code and the appropriate local electrical codes.



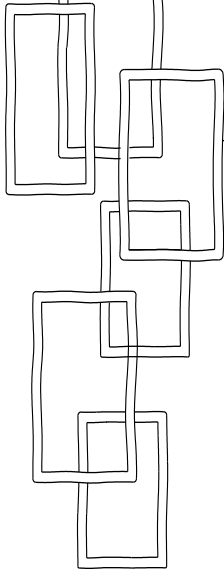
You will need 2 Cand, Bulb  
 40 Watts Recommended  
 60 Watts Max  
 Bulb not included.



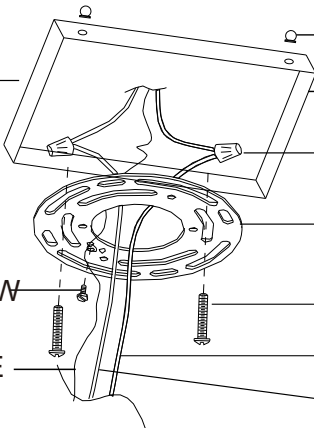
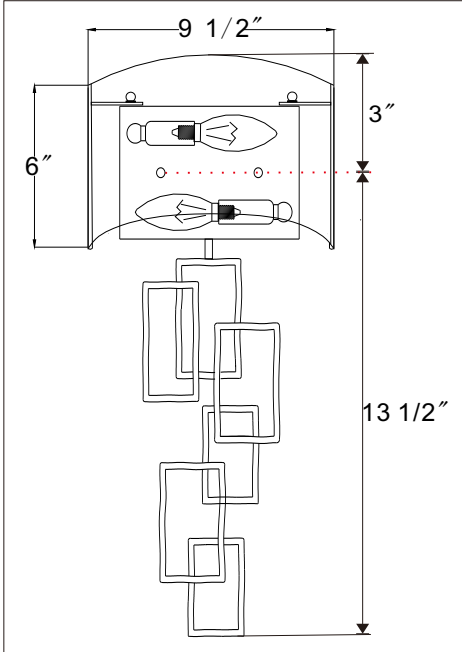
BACKPLATE



BULB (NOT INCLUDED)  
 2x Max 60 W/C  
 SOCKET  
 SOCKET SLEEVE



HAMMERED FRAME



BALL NUTS  
 BACKPLATE  
 WIRE CONNECTOR  
 MOUNTING PLATE  
 GROUND SCREW  
 GROUND WIRE  
 OUTLET SCREWS  
 Main wire ⊕  
 Main wire ⊖

