

CRYSTORAMA

1958
 95 Cantiague Rock Road, Westbury NY 11590
 ph:516.931.9090 fax:516.931.1254
 info@crystorama.com www.crystorama.com

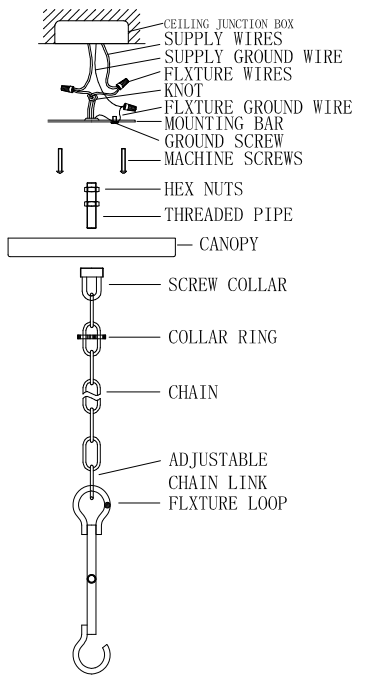
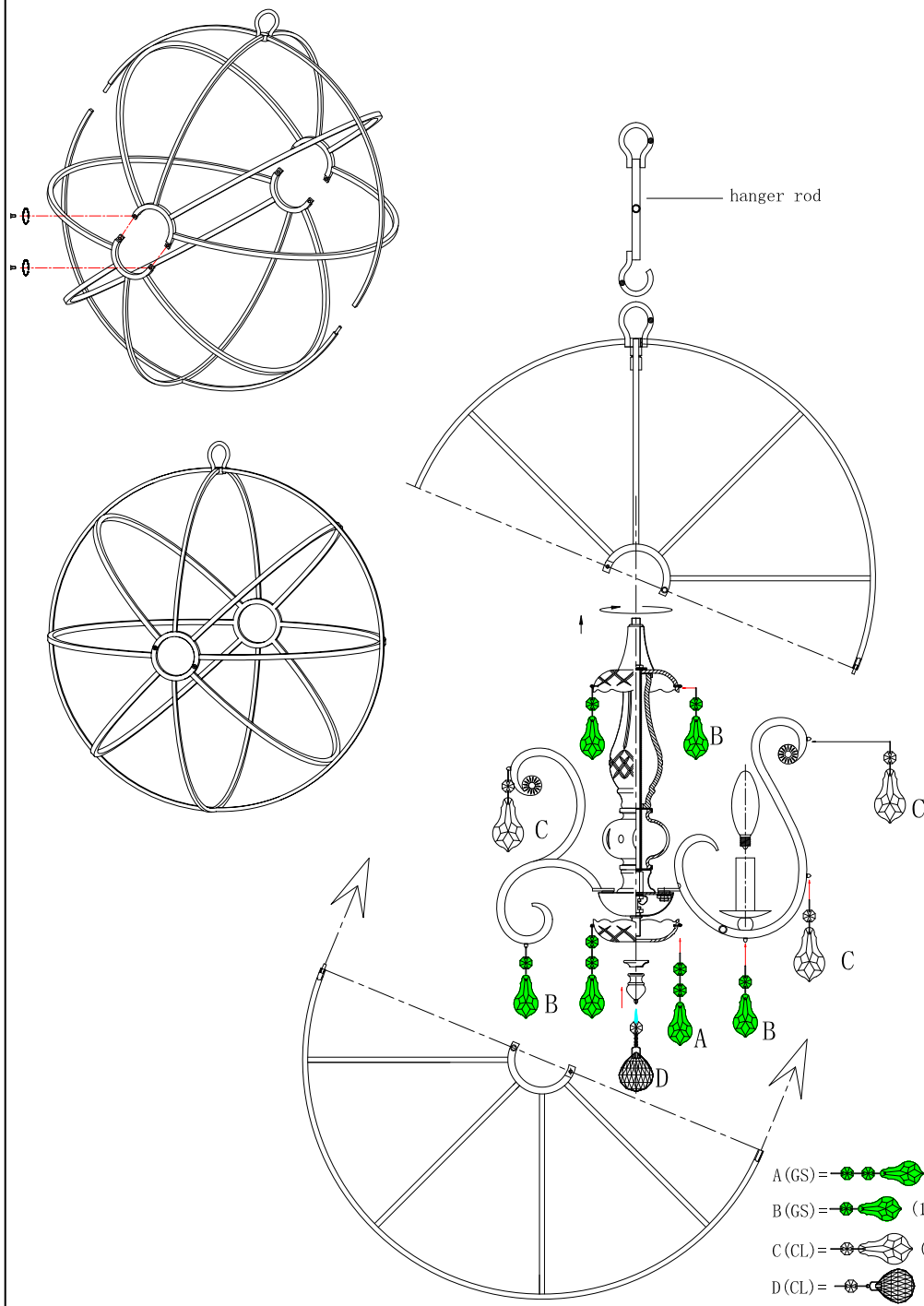
MODEL#:9026-EB-GS-MWP ASSEMBLY AND DRESSING INSTRUCTIONS



All electrical components must be installed by a licensed electrician in accordance with the National Electric Code and the appropriate local electrical codes.



**You will need 5 - Cand.Bulb
 40 Watts Recommended
 60Watts Max
 Bulb not included**



- A(GS) = (1X50mm Pendant+2X14mm Jewels)*4pcs
- B(GS) = (1X50mm Pendant+1X14mm Jewels)*14pcs
- C(CL) = (1X63mm Pendant+1X14mm Jewels)*15pcs
- D(CL) = (1X40mm Ball+1X14mm Jewels)*1pc