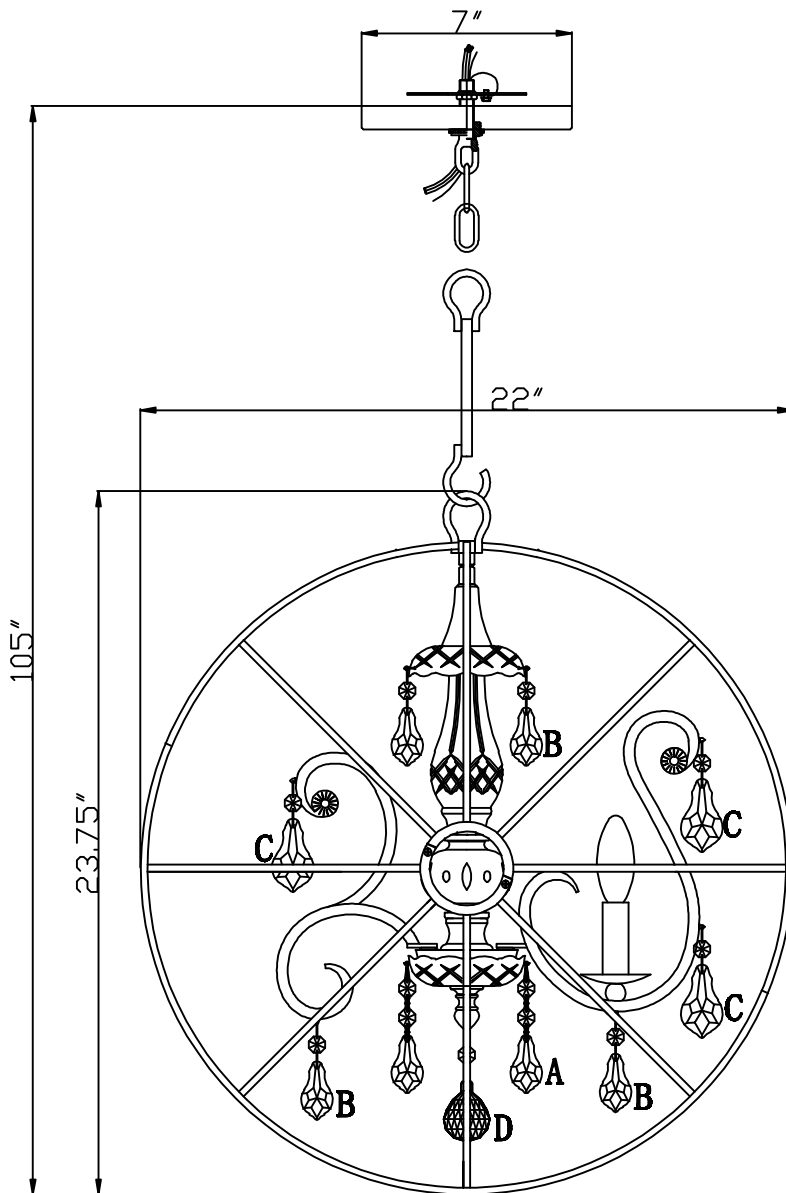


CRYSTORAMA

LIGHTING THE WAY FOR SIXTY YEARS

ASSEMBLY INSTRUCTION MODEL #9026-EB-CL-MWP



All electrical components must be installed by a licensed electrician in accordance with the National Electric Code and the appropriate local electrical codes.



You will need 5 - Cand. Bulb

40 Watts Recommended

60 Watts Max

USE LED BULBS FOR EXTENDED USE

How to Install

1. Put the bottom cage and top cage together with screws.
2. Place the glass bobèche and small cap over the bottom threaded nipple, securing them with the finial.
3. Install the bulb (not included) to the socket.
4. Dress the crystal drop inside fixture body.
5. The canopy of the fixture can be mounted to the ceiling.

Crystal sets

- A. 4 pieces. (2)14mm+(1)50mm.
- B. 14 pieces. (1)14mm+(1)50mm.
- C. 15 pieces. (1)14mm+(1)63mm.
- D. 1 piece. (1)14mm+(1)40mm.

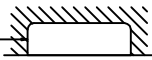
- A= (1X50mm Pendant+2X14mm Jewels)*4pcs
- B= (1X50mm Pendant+1X14mm Jewels)*14pcs
- C= (1X63mm Pendant+1X14mm Jewels)*15pcs
- D= (1X40mm Ball+1X14mm Jewels)*1pc

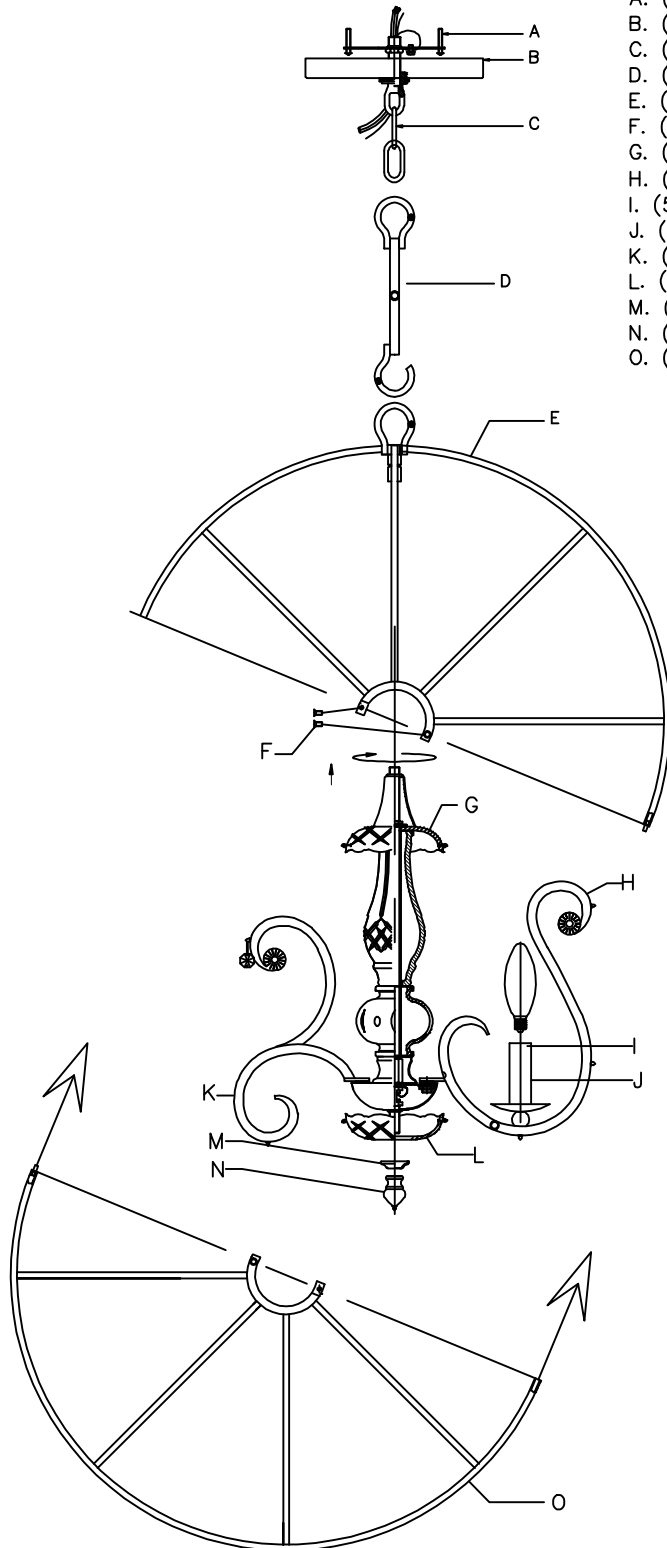
WARNING: This product can expose you to Lead, which is known to the State of California to cause cancer and/or birth defects or reproductive harm. For more information go to www.P65Warnings.ca.gov

CRYSTORAMA

LIGHTING THE WAY FOR SIXTY YEARS

PART NUMBER MODEL #9026-EB-CL-MWP

Outlet Box 



Part Number

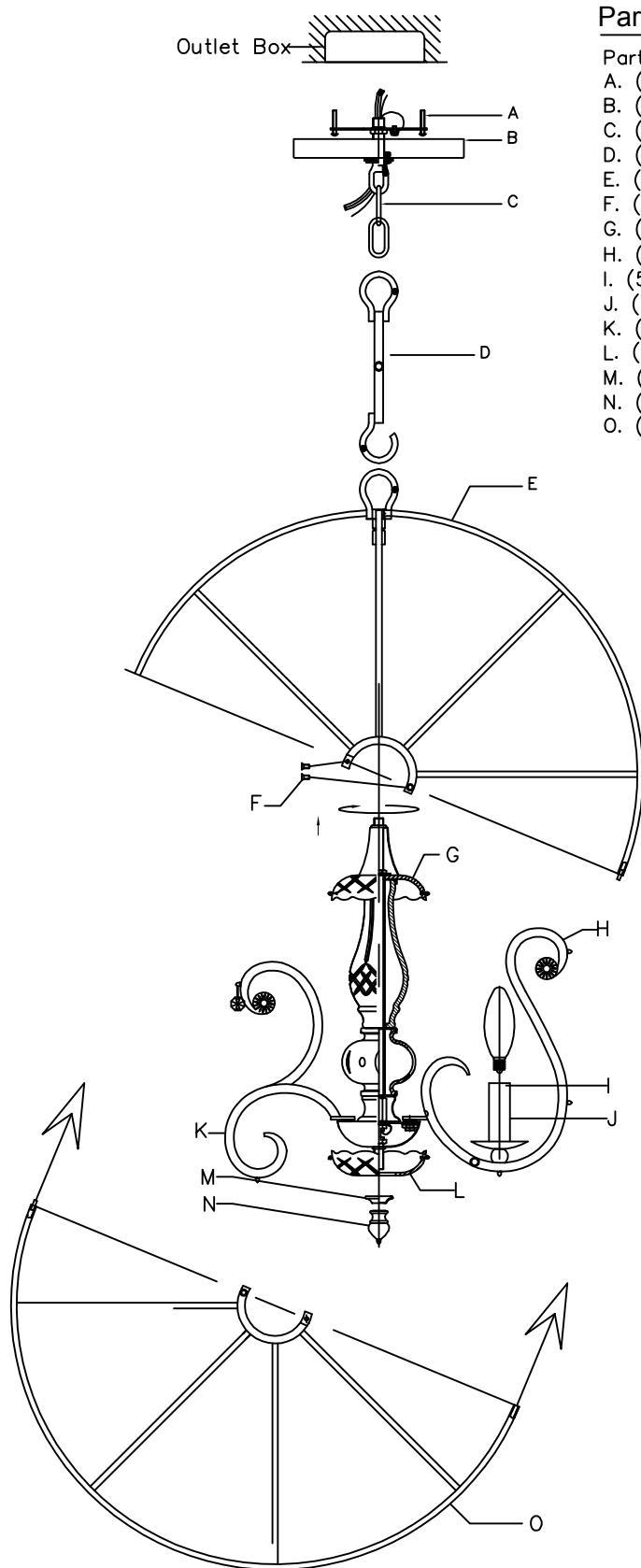
Part Numbers

- A. (1)—Mounting hardware
- B. (1)—Canopy; W7"XH0.5"; XSU9026EBCAN7IN
- C. (1)—Chain; 72"; 4.0mm; XSU9025EBCHA4MM
- D. (1)—Hanger rod
- E. (1)—Top cage
- F. (4)—Screws
- G. (1)—Glass Column
- H. (5)—Socket Arm
- I. (5)—Socket
- J. (5)—Candle Sleeve; $\phi 0.75$ "X2.75"; XSU9025EBCDL2.75IN
- K. (5)—Scroll Arm
- L. (2)—Glass Bobeche; $\phi 4$ "X1"; XSU9025EBBOB4IN
- M. (1)—Small Cap
- N. (1)—Finial; XSU9026EBFIN
- O. (1)—Bottom cage

CRYSTORAMA

LIGHTING THE WAY FOR SIXTY YEARS

PART NUMBER MODEL #9026-EB-CL-MWP



Part Number

Part Numbers

- A. (1)—Mounting hardware
- B. (1)—Canopy; W6"XH0.5"; XSU9025EBCAN6IN
- C. (1)—Chain; 72"; 4.0mm; XSU9025EBCHA4MM
- D. (1)—Hanger rod
- E. (1)—Top cage
- F. (4)—Screws
- G. (1)—Glass Column
- H. (5)—Socket Arm
- I. (5)—Socket
- J. (5)—Candle Sleeve; $\phi 0.75$ "X2.75"; XSU9025EBCDL2.75IN
- K. (5)—Scroll Arm
- L. (2)—Glass Bobeche; $\phi 4$ "X1"; XSU9025EBBOB4IN
- M. (1)—Small Cap
- N. (1)—Finial; XSU9026EBFIN
- O. (1)—Bottom cage