

Marina Roller Door

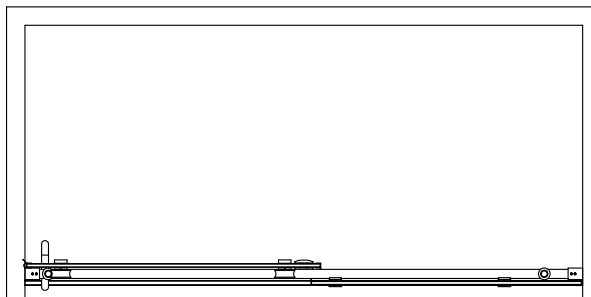
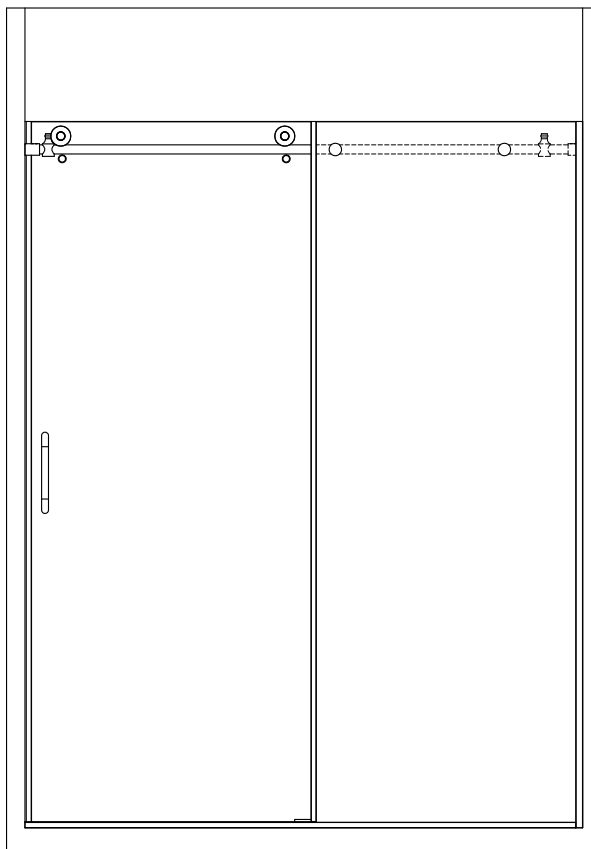
FOREMOST

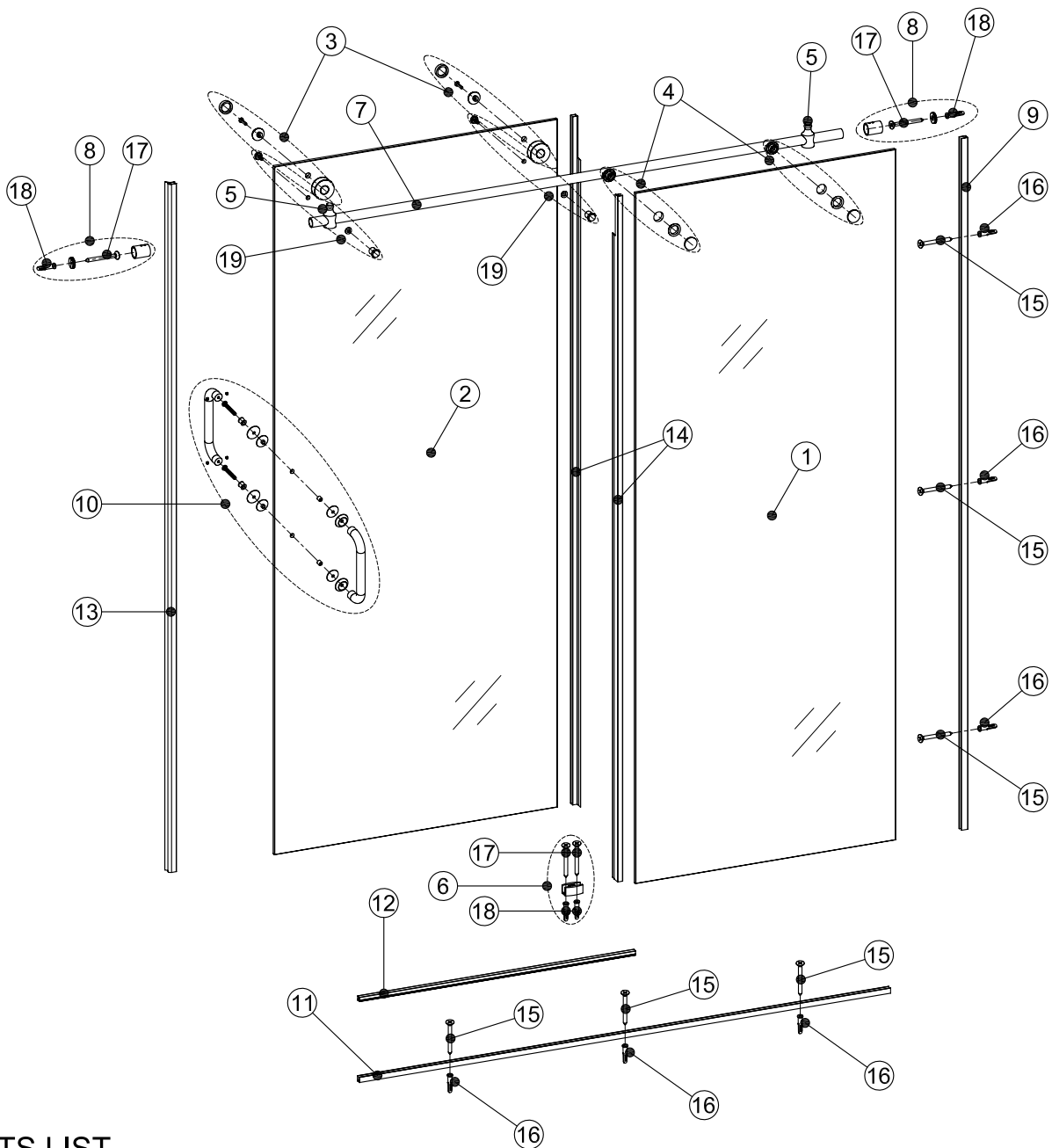
Customer Service 1-888-620-3667

COPY THE MODEL NUMBER FOR YOUR RECORDS HERE #

Please visit us on YouTube and view our shower door installation videos. One may be available for your installation.
www.youtube.com/foremostgroups

READ THE INSTRUCTIONS CAREFULLY, familiarize yourself with all the parts as shown in the exploded view. The exploded view will also provide a helpful reference when relating to the location of the various parts and how they are mounted.

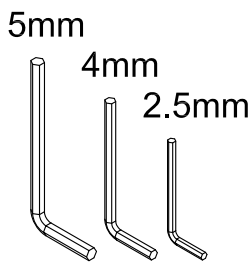




PARTS LIST

Fixed Panel (1 pcs)	Door Panel (1 pcs)	Rollers (2 pcs)	Glass Holders (2 pcs)	Stoppers (2 pcs)	Bottom guide (1 pcs)	Running rail (1 pcs)
Wall bracket (2 pcs)	Wall channel (1 pcs)	Handle (1 pcs)	Bottom track (1 pcs)	Bottom track cover (1 pcs)	Door gasket (1 pcs)	Gap gasket (2 pcs)
Countersunk head ST3.5x35 (6 pcs)	Ø6 Wall plug (6 pcs)	Countersunk head ST4.8x38 (4 pcs)	Ø8 Wall plug (4 pcs)	Glass fix nail (2 pcs)		

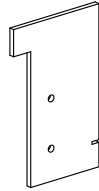
Tools



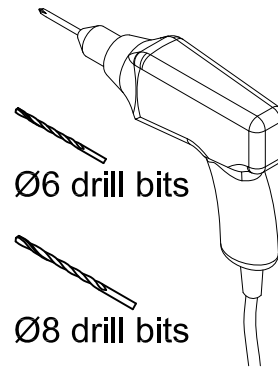
Hex key



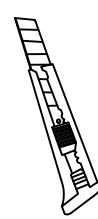
Install rod



Positioner



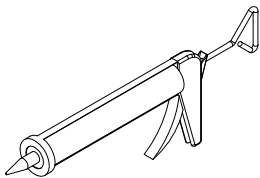
Drill and Assorted Bits



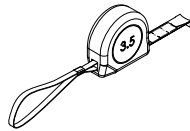
Knife



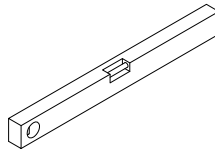
Pencil



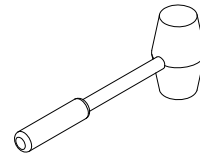
Caulk Gun



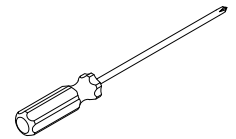
Masking Tape



Level {4' (1.2m)}
to 6' (1.8m)}



Claw Hammer



Assorted
Screwdrivers

Before You Begin

CAUTION: Risk of personal injury. Always wear safety glasses while cutting or drilling.

CAUTION: Risk of injury or product damage. Unframed tempered glass should not contact hard surfaces or it may shatter. Do not touch the edge of the tempered glass panel with tools or any hard objects. Do not set the unframed tempered glass edge directly on the floor.

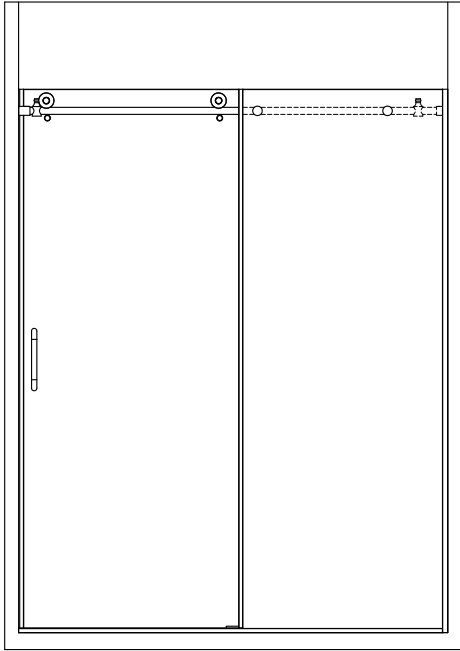
CAUTION: Risk of injury or product damage. Do not attempt to cut tempered glass. Tempered glass shatters when it is cut.

CAUTION: Risk of product damage and property damage. This shower door is very heavy, Do not install it to plastic shower modules or drywall unless additional support is provided behind the wall.

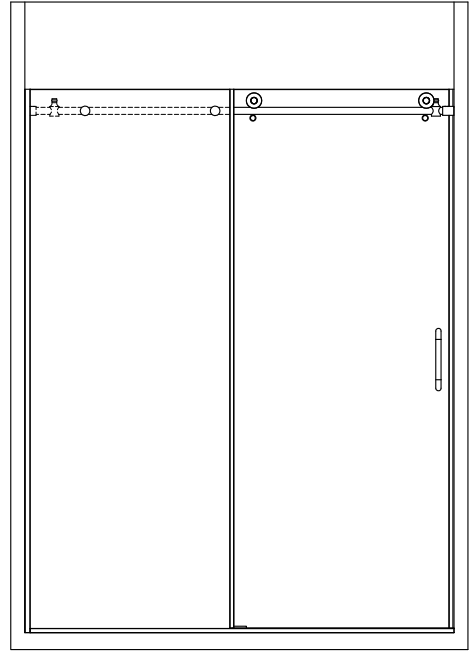
- Before starting the installation, lay out and identify all of the parts. Inspect them for damage.
- Closely follow the instructions pertaining to the sealant application on the door. Sealing areas other than those shown may cause leakage.
- Two people should perform this installation.

**Choose the shower door open direction - left or right.
Follow the appropriate diagram below .**

Left Hand Assembly

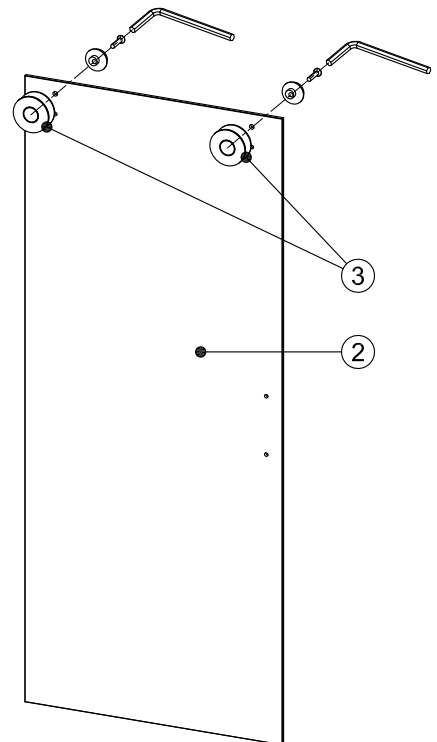
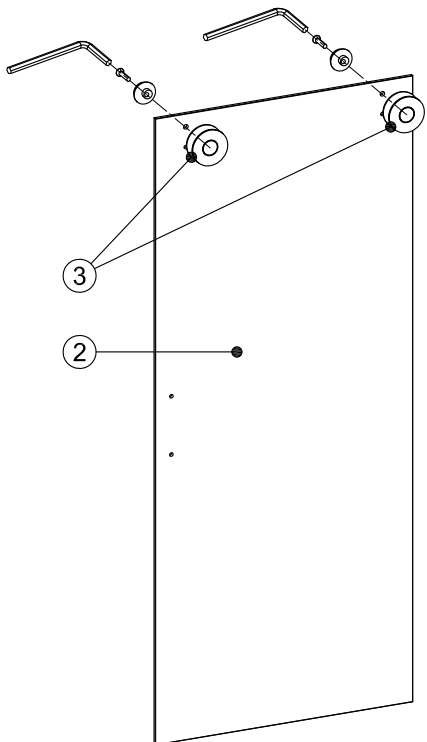


Right Hand Assembly



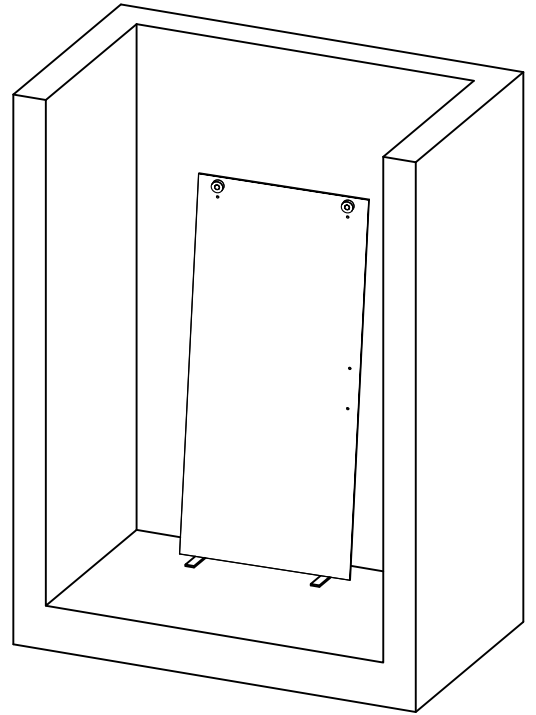
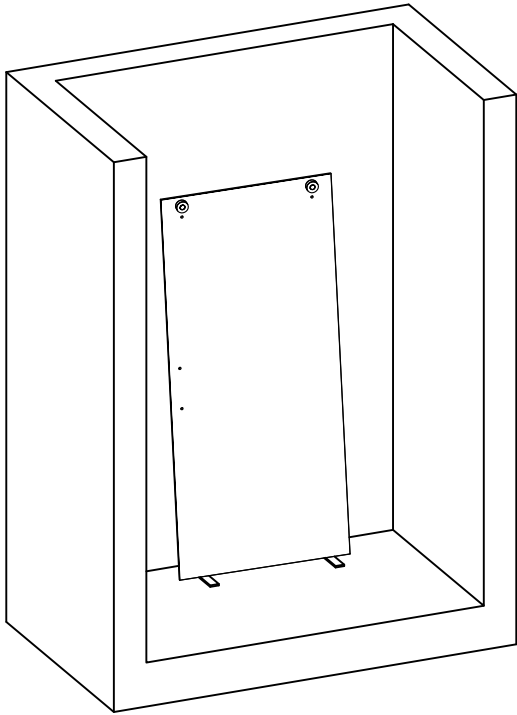
STEP 1:

Install rollers to door. Pick up the rollers from the package, install them to door panel as illustrated, fastened by Hex key 4mm.



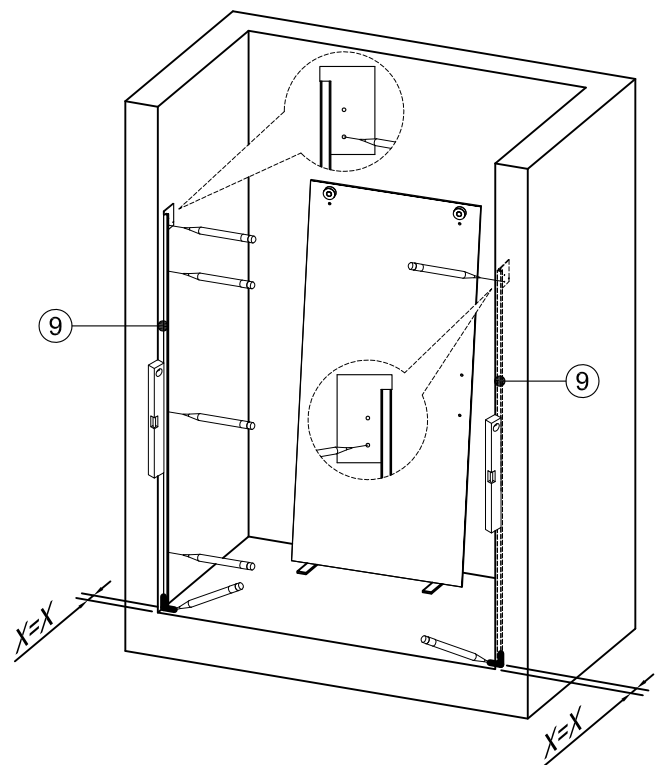
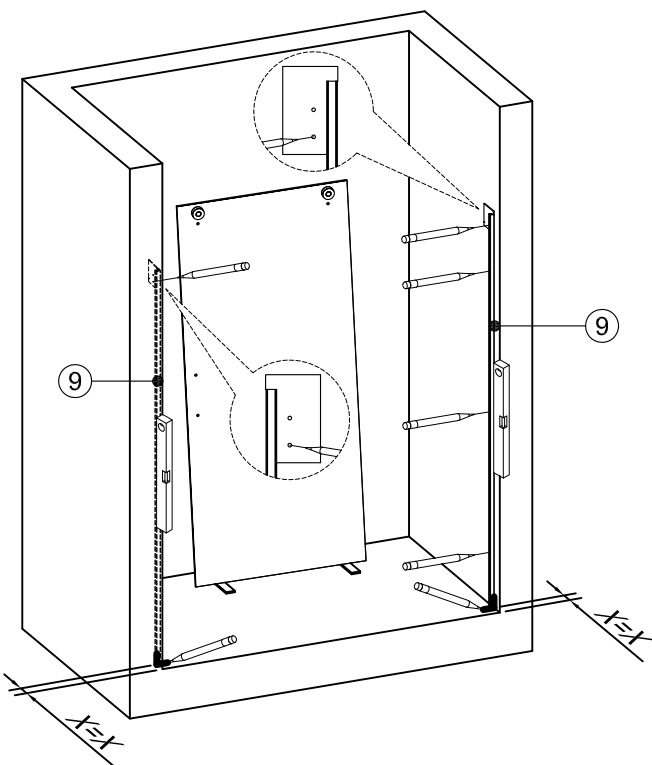
STEP 2:

Put the door panel in the inside of your shower room and have the wood blocks up the bottom as illustrated.



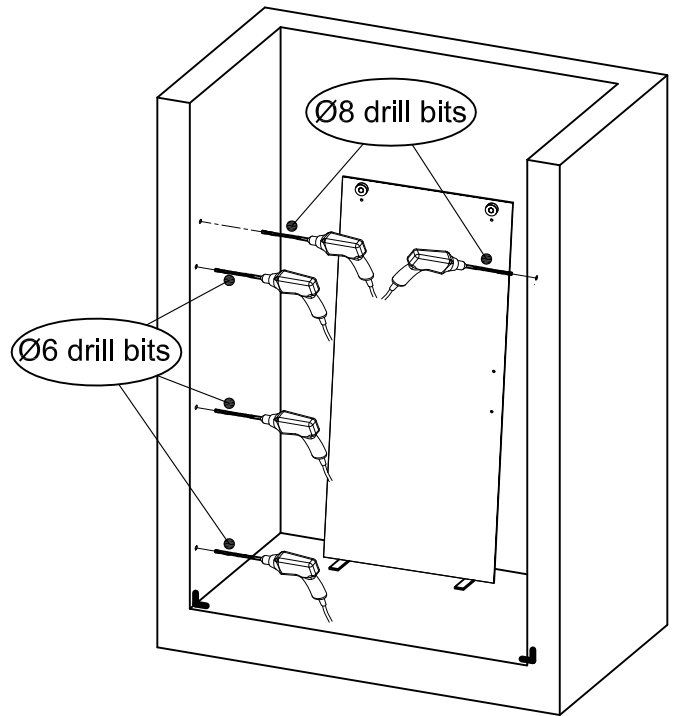
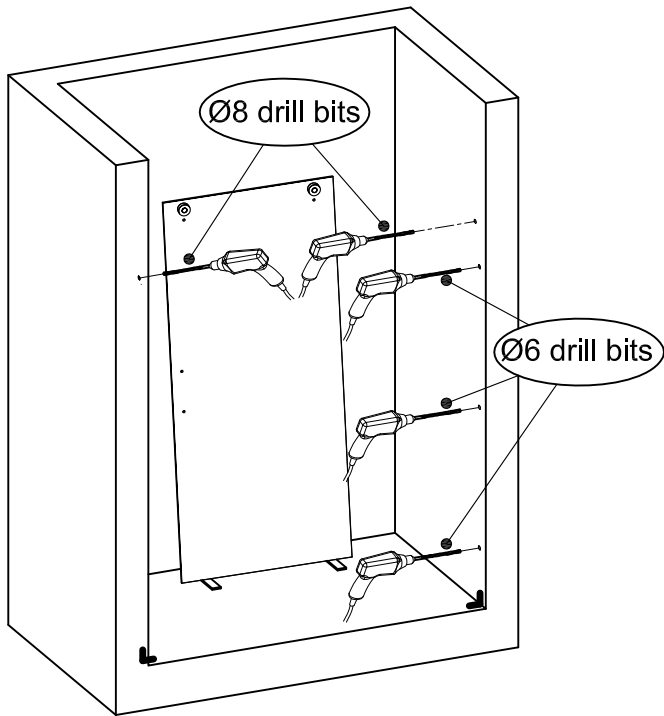
STEP 3:

Use a professional level and the positioner provided to determine the wall chanel's position as illustrated.



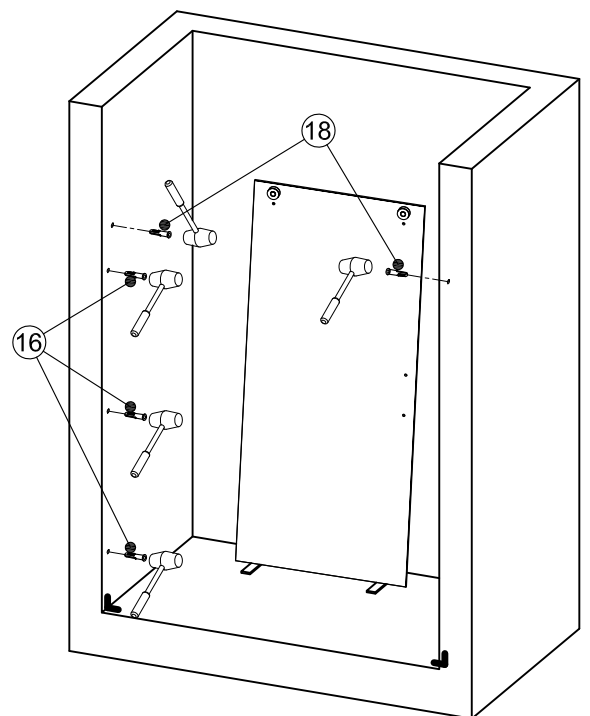
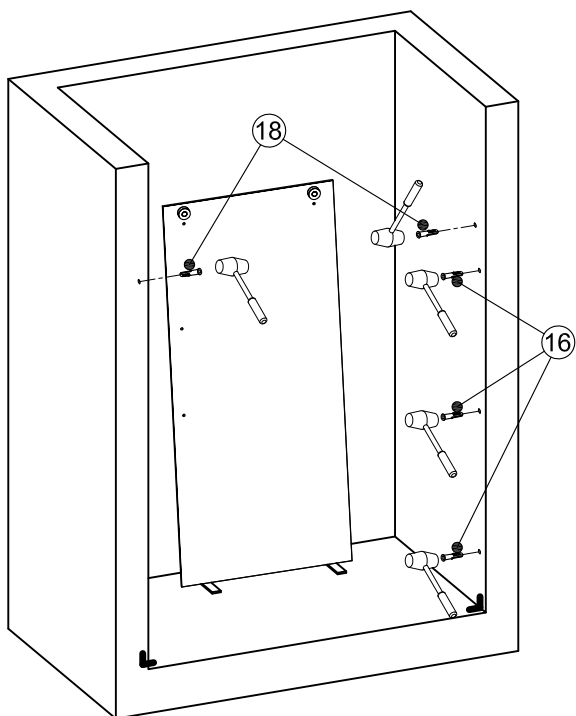
STEP 4:

**Drill holes for wall channel with 6mm drill bit.
Drill holes for wall bracket with 8mm drill bit.**



STEP 5:

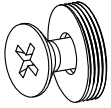
Install the wall plugs.



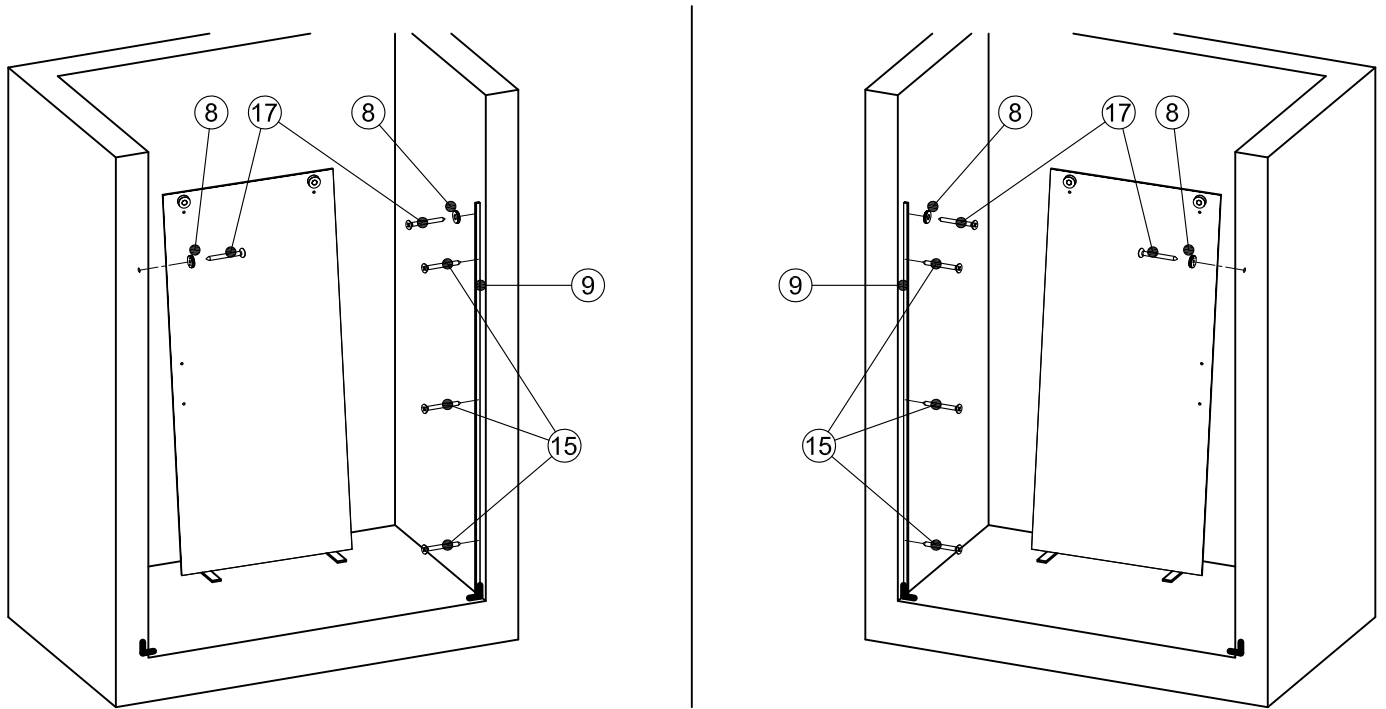
STEP 6:

Install the wall channel. Fasten the wall channel according to the holes from above steps by ST3.5x35 screws.

Install the wall bracket. The wall bracket has two parts, now take out inner part-the bracket base which like the pics shown. Bracket base tends to slip down on the single mounting screw. So once you have the height determined (gap at bottom of door has to be big enough to slide easily through bottom guide) take it all apart and mix up the Epoxy Putty and push some in the slotted hole above the screw head on both bracket base.

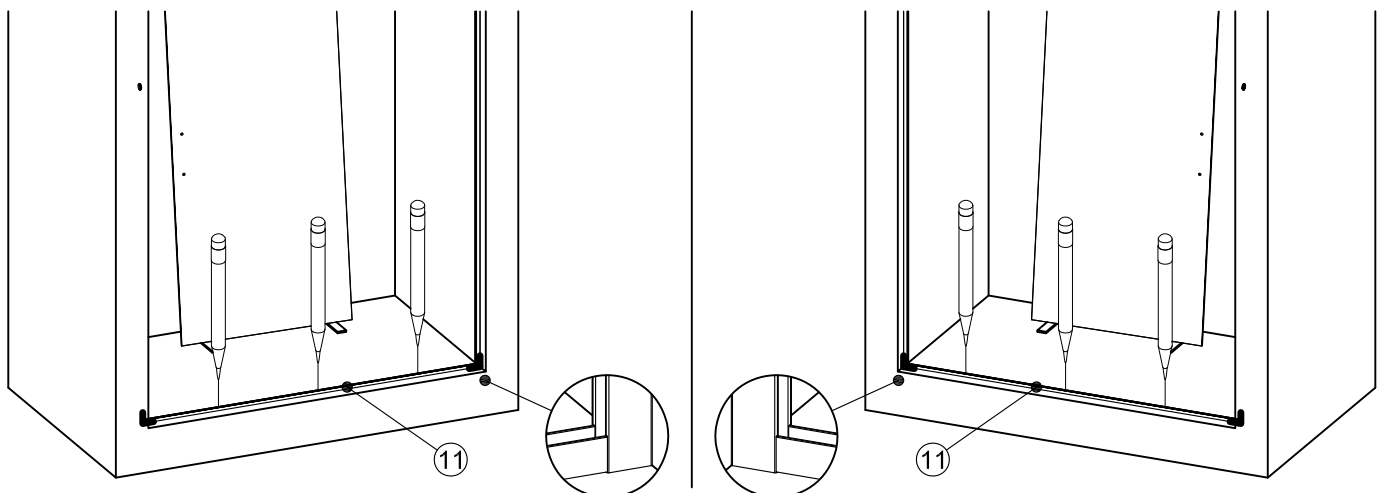


**The bracket base mounting hole which can slip.
Epoxy or shim might be necessary!**



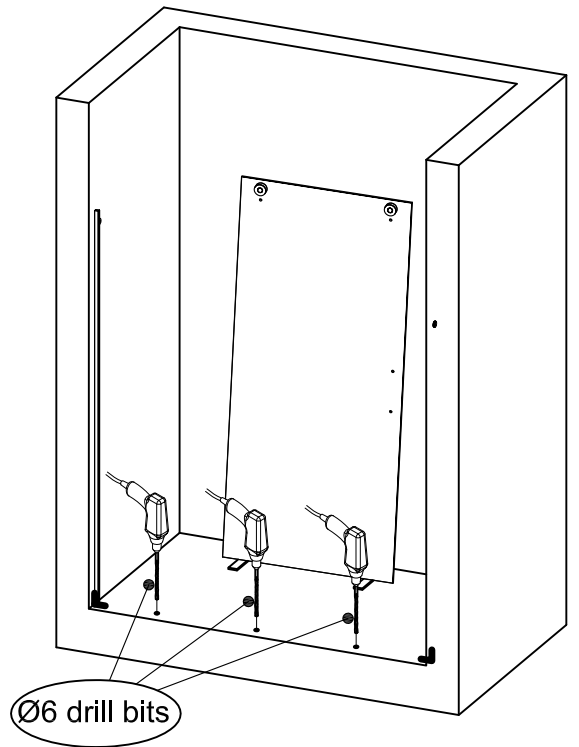
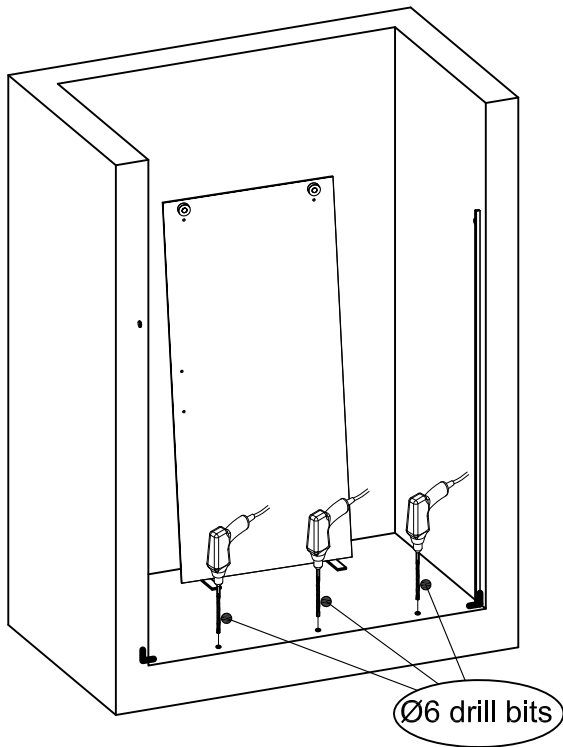
STEP 7:

Measure and Cut the Bottom track. Measure from wall to Wall channel at the bottom. Mark the Bottom track at the determined distance, Cut from end. Make the rough edges smooth (Taking care to avoid damaging finished surfaces). The cut Bottom track should put flush on between walls without hand pressure.



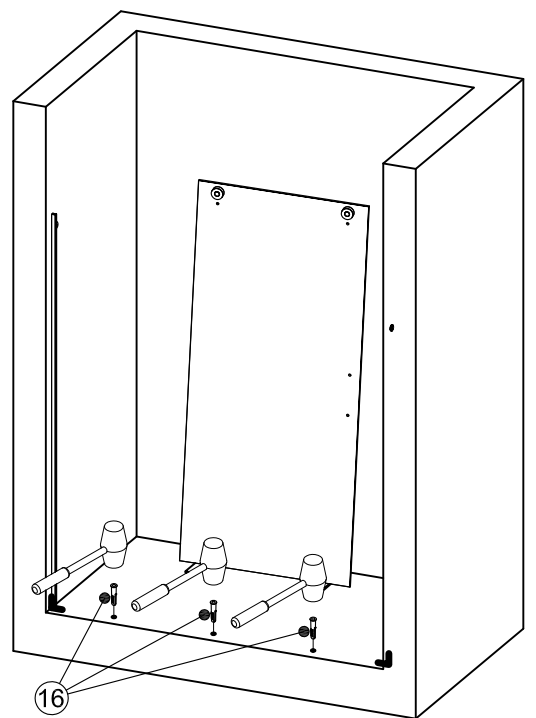
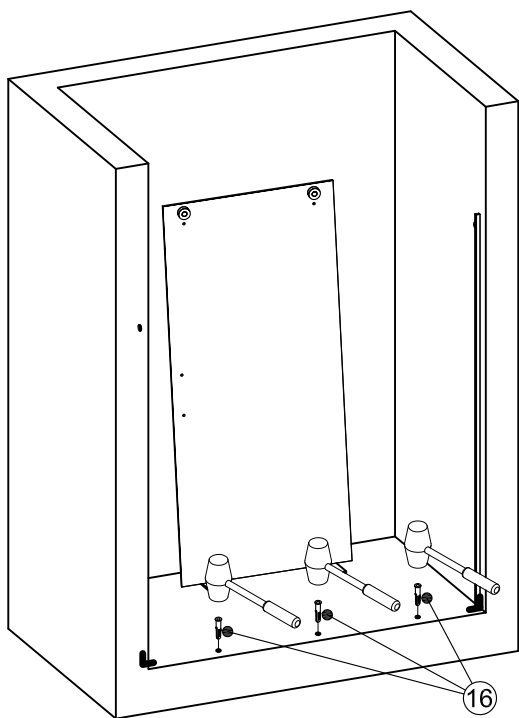
STEP 8:

Drill holes for Bottom track with 6mm drill bit.



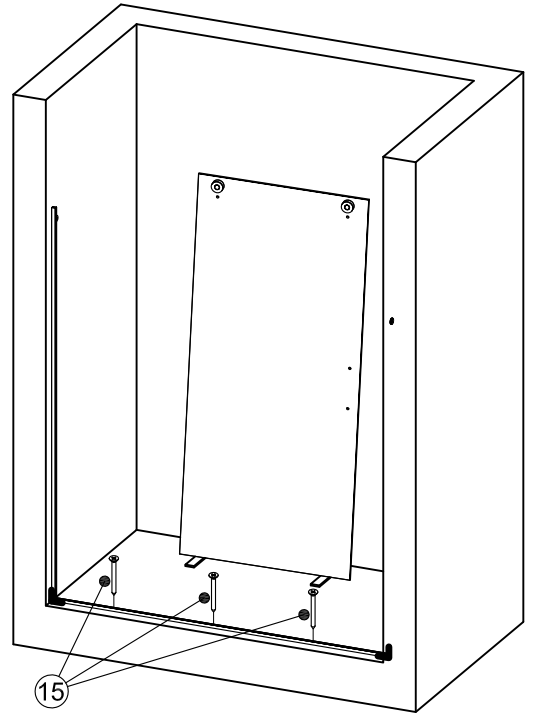
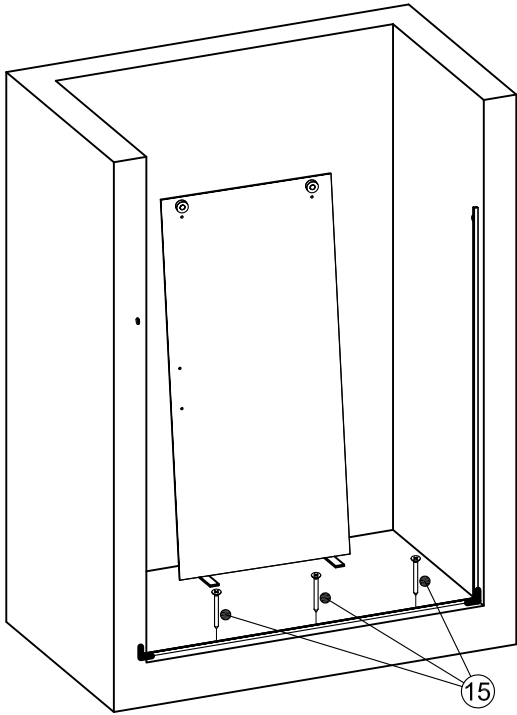
STEP 9:

Install the wall plugs.



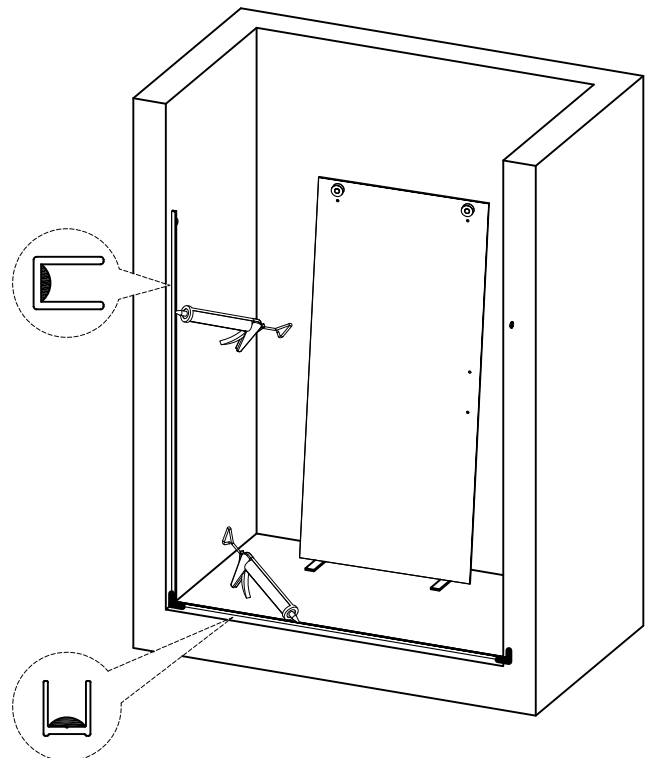
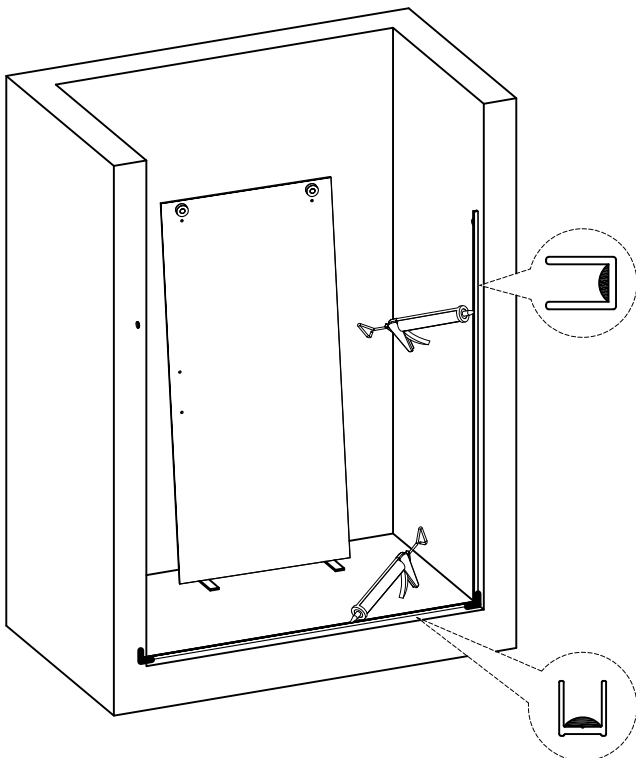
STEP 10:

Install the Bottom track. Fasten the bottom track according to the holes as above steps by ST3.5x35 screws.



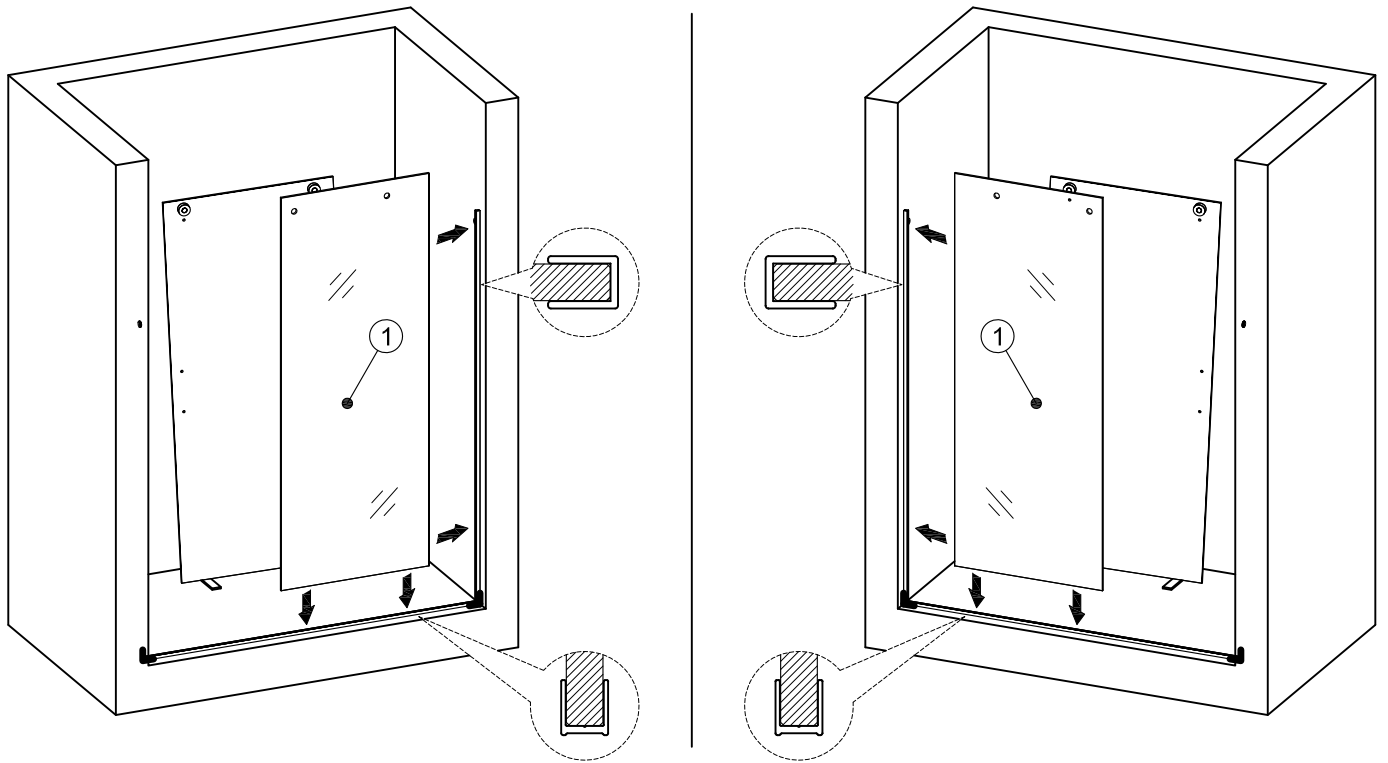
STEP 11:

Use caulk gun inject Clear Silicone Sealant to the wall channel and bottom track.



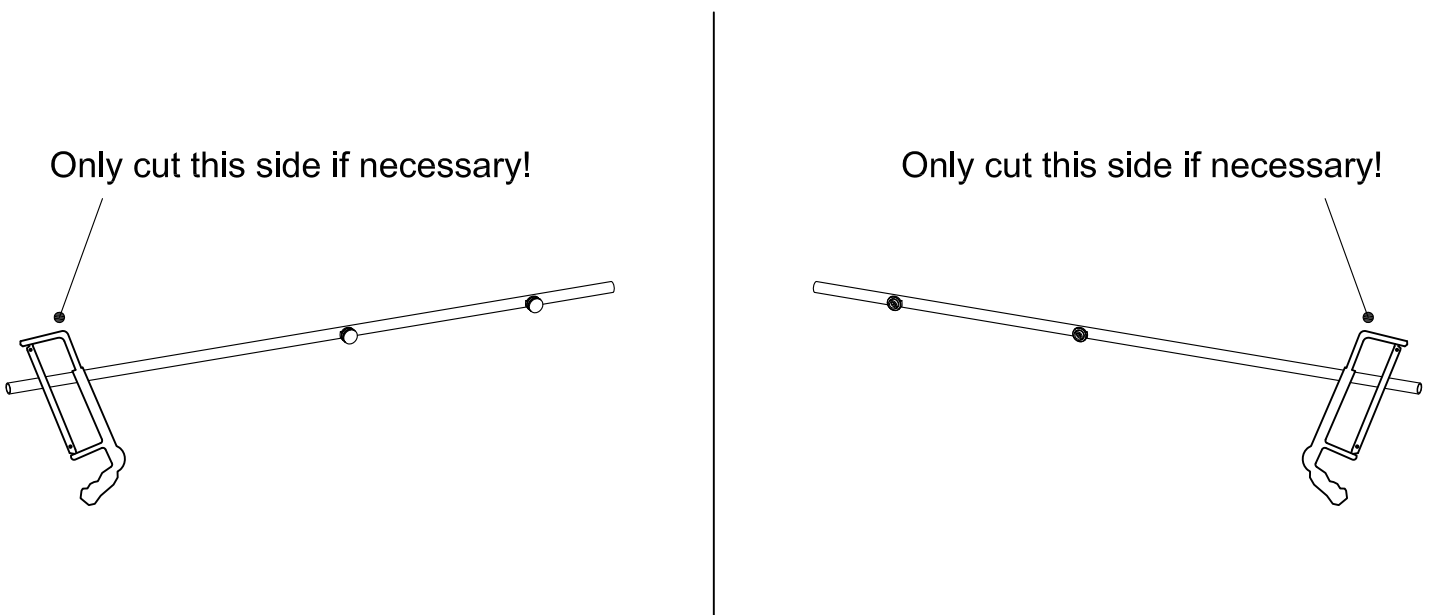
STEP 12:

Install the fixed panel. Put the fixed panel into the Bottom track and the Wall channel.



STEP 13:

Measure and Cut the Running Rail. Measure from wall to wall at the top of the shower door opening. Mark the running rail at the determined distance. Cut from end. Cut the rough edges smooth where the running rail was cut. Taking care to avoid damaging finished surfaces. The cut running rail should put flush on between walls without hand pressure.

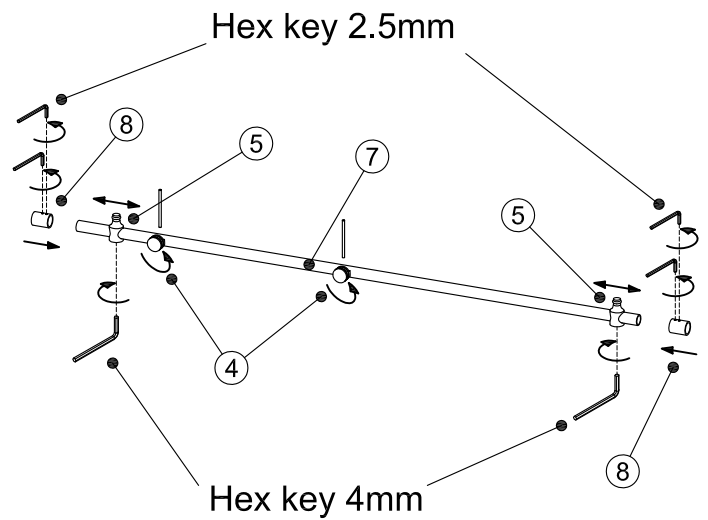
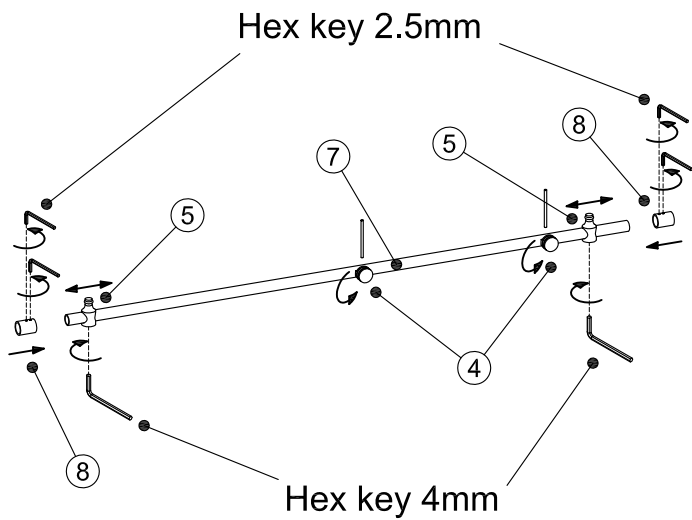


STEP 14:

Install the stoppers. Position the stoppers on the running rail, secure them temporarily in place. Do not fasten them, fasten it after install the fixed panel and glass panel.

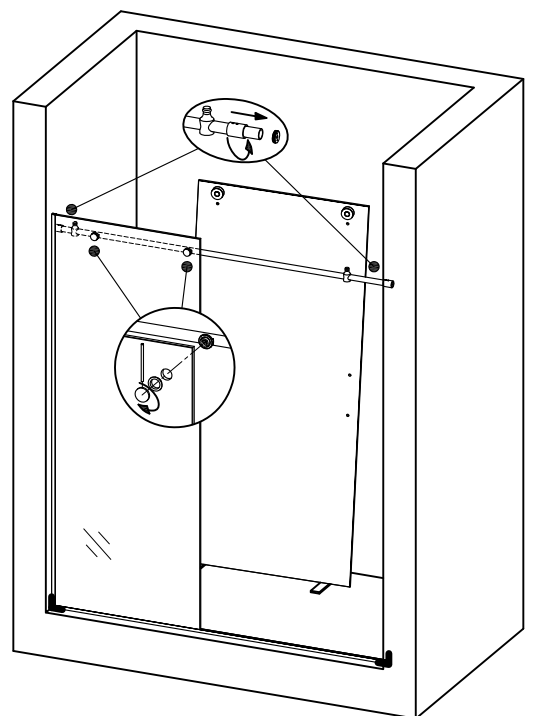
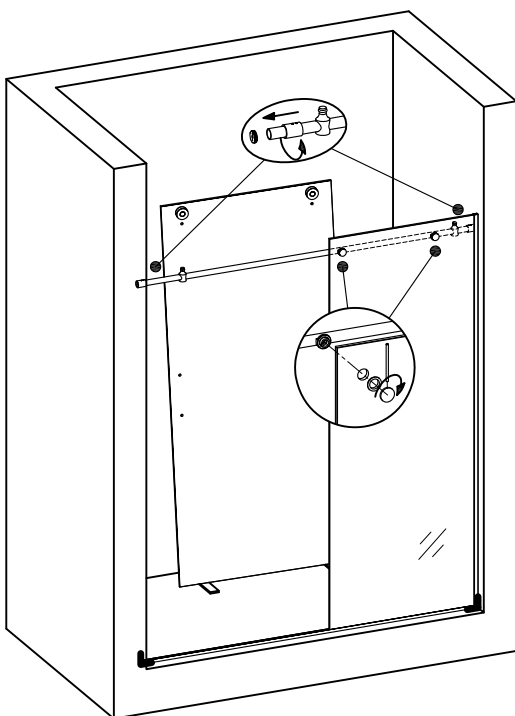
Loose the glass holders. The glass holders has been install to the running rail. Loose it by Install rod. This for install the fixed panel.

Position the outer part of wall brackets on the running rail. Secure them temporarily in place.



STEP 15:

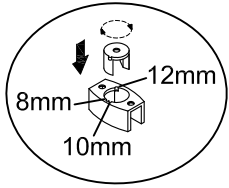
Fasten the running rail. Fasten the outer part of wall bracket. Fasten the running rail to the fixed panel with the glass holders. Secure them temporarily in place.



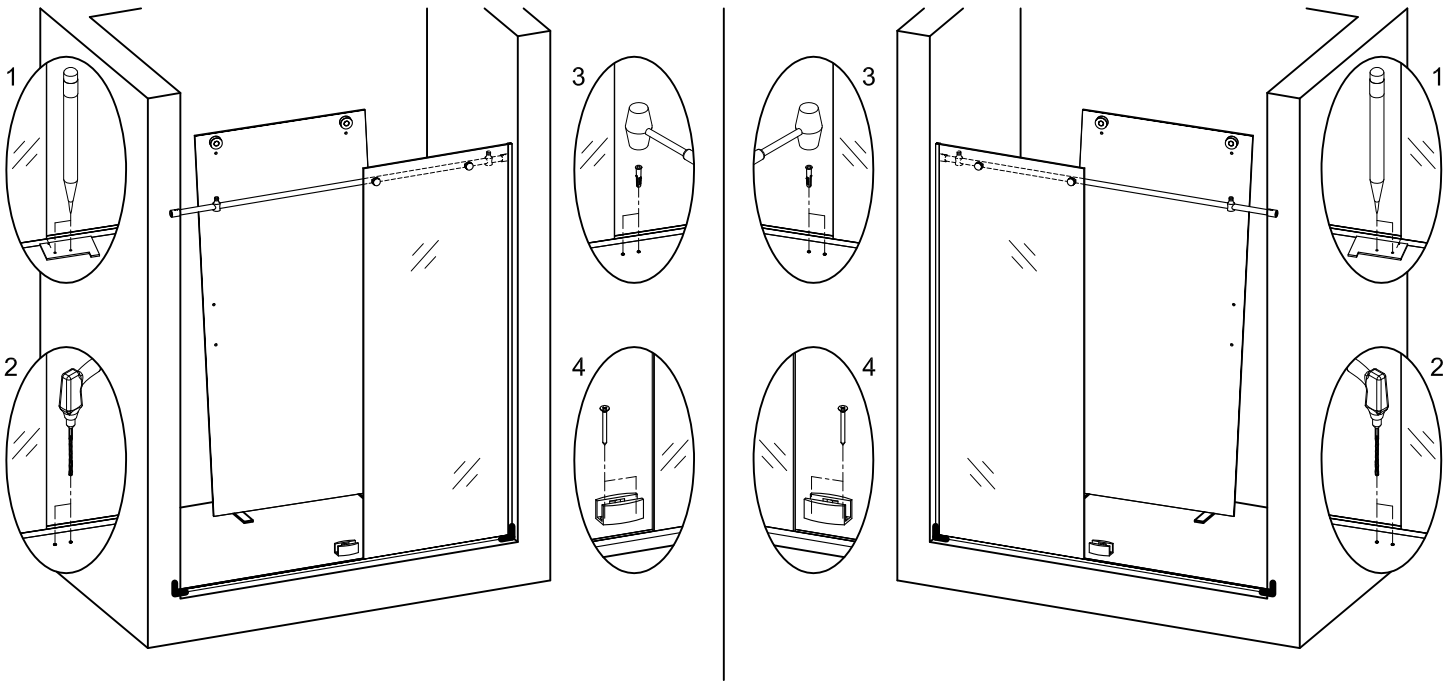
STEP 16:

Install the bottom guide.

Use positioner to determine the bottom guide's position as illustrated 1. Drill holes with $\varnothing 8$ drill bit as illustrated 2. Fasten the bottom guide according to the holes from above steps by $\varnothing 8$ wall plugs and ST4.8*38 screws, as illustrated 3 & 4.

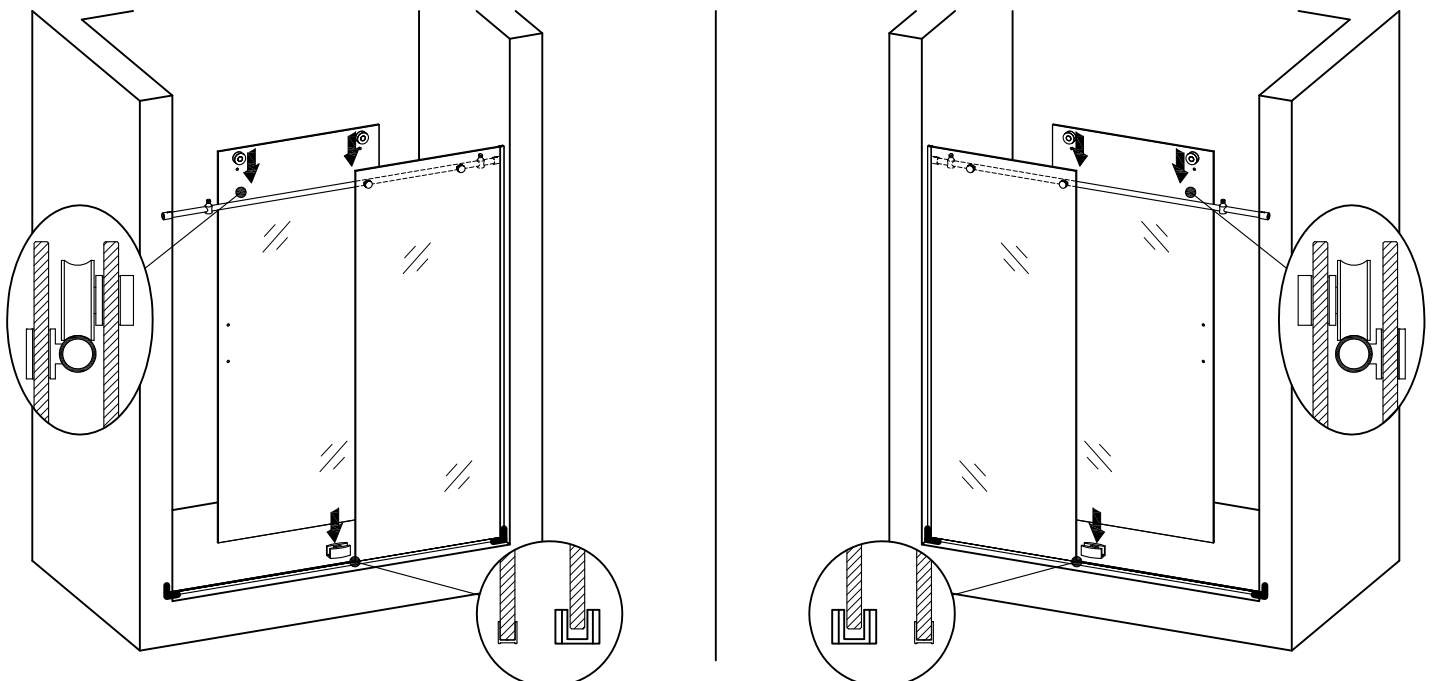


Check the bottom guide. Put the black rubber to 10mm position. This bottom guide fit for 3 different thickness. Secure the thickness is for 10mm glass. Fasten the bottom guide as illustrated.



STEP 17:

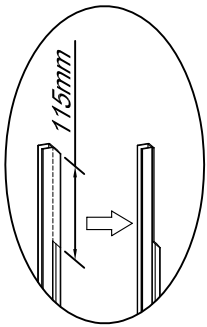
Install the door panel. Install sliding door ensuring that rollers are fixed over the running rail. Ensure that sliding door is placed within the bottom guide.



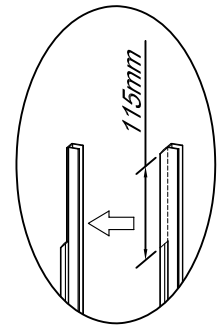
STEP 18:

Install the handle as illustrated.

Install the door gasket and gap gaskets. Insert the door gasket to the wall side. And insert another gap gasket to another side of glass door. Insert another gap gasket to the fixed panel.

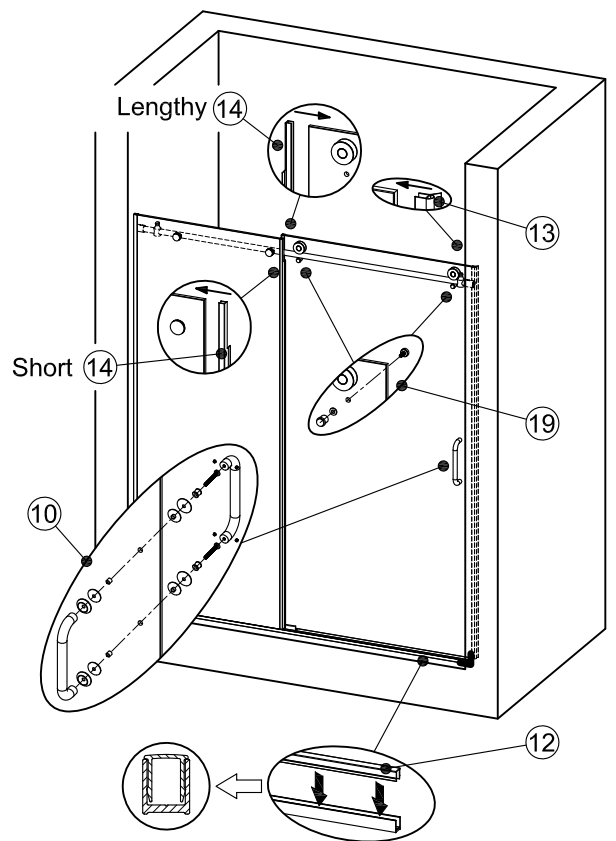
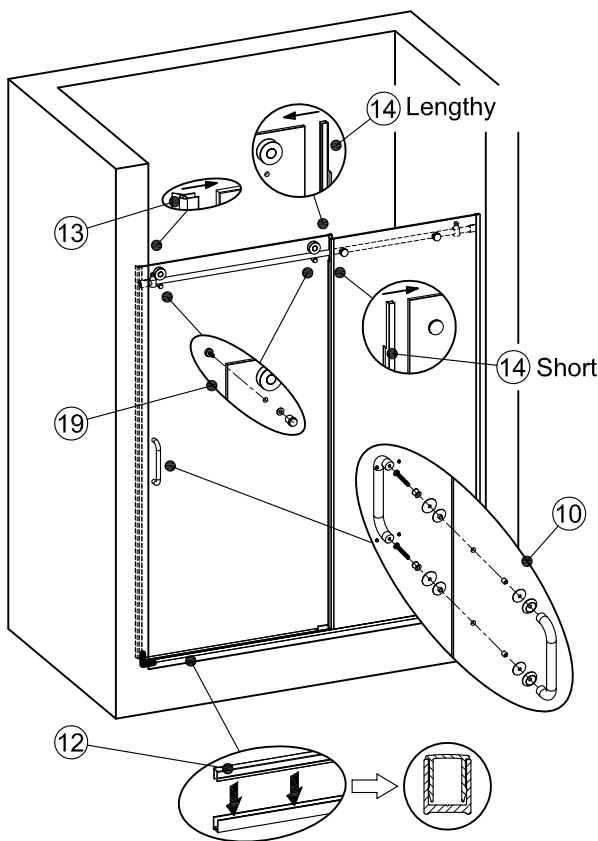


Cut the gap gaskets as illustrated.



Cut the gap gaskets as illustrated.

Install the Glass fix nails as illustrated.



Measure and Cut the Bottom track cover. Measure from wall to fixed panel at the bottom track. Mark the Bottom track cover at the determined distance, Cut from end. Cut the rough edges smooth where the Bottom track cover was cut. Taking care to avoid damaging finished surfaces. The cut Bottom track cover should put flush on between walls without hand pressure.

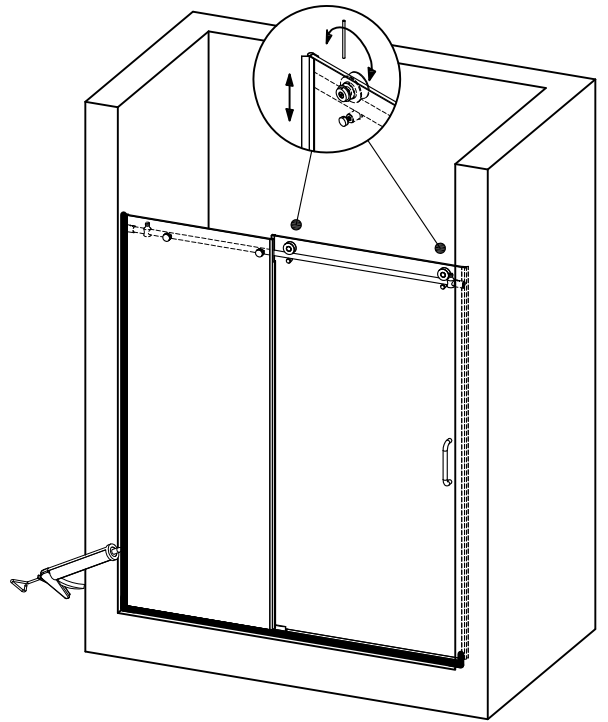
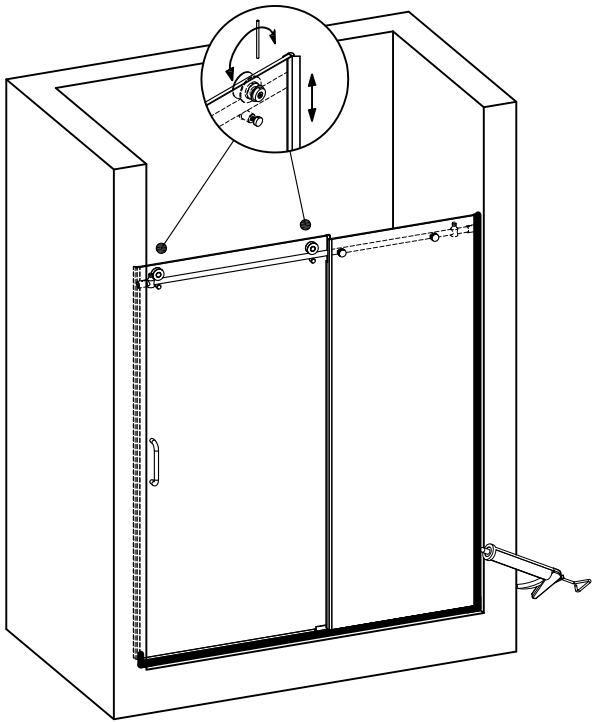
Install the Bottom track cover as illustrated.

STEP 19:

Fasten the stopper and rollers. Sliding the door panel, check the position of stopper in the running rail. Secure them temporarily in place, and fasten them. Fasten the rollers by Hex key 2.5mm and 4mm.

Note:

Hex key 2.5mm to stop the roller moving as fasten the rollers.



Seal the door assembly:

Apply silicone between the bottom of the fixed panel and the base. Silicone application along the wall channel is also suggested. In both cases, it is done from the outside of the shower area.



**Keep the entire area dry for a minimum of 24 hours.
Your installation is now complete.**

Thank you for choosing Foremost shower doors. *If you have any questions or require any assistance please contact our customer service center in Hobart Indiana.*

Toll Free: 888.620.3667

Email: KandBservice@foremostgroups.com

Hours: 8:00am-4:30pm (CST) Monday-Friday

ATTENTION CONSUMER:

Important Shower Enclosure
Warranty Information
Please do not discard

*Thank you for your purchase
of a shower enclosure
from Foremost Groups, Inc.*

In order to be eligible for product warranty,
please register your enclosure on our website
within two (2) weeks of installation. Go to
www.foremostbath.com/warranty
or scan the code below and follow the instructions.

For any questions or comments
about your new shower enclosure,
please contact Foremost Customer Service at
1-888-620-3667

Thank you!

FOREMOST®

