



FOREMOST® INTELLIGENT TOILET

foremostbath.com
foremostcanada.com



KEY FEATURES

- Compact, concealed one piece toilet with integrated personal cleaning
- Low profile, modern tankless design offers a direct powerful flush action
- Automatic flush system for touchless convenience
- 1.28Gpf (4.8Lpf) single flush high efficiency
- 16" Height elongated bowl
- Rimless design provides a more effective hygienic and easy to clean bowl
- Pre-rinsing before each use
- Additional foot flush control for convenience

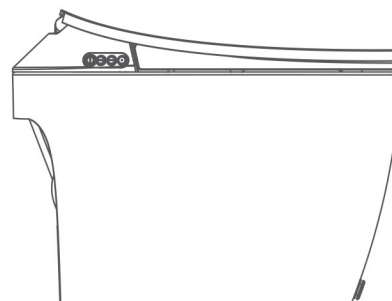
- Illuminated night light
- Stainless spray nozzle provides adjustable spray, position and water temperature options
- Adjustable warm air drying
- Slow close heated seat with adjustable temperature controls for added comfort
- Ultraviolet sterilization to sanitize the spray nozzle
- Easy to operate remote control

List Price \$2,420.00

COMPLIANCE STANDARDS

- ASME A112.19.2/CSA B45.1
- ASME A112.4.2/CSA B45.16
- WaterSense Specification
- UL 1951, CSA C22.2 No.64 and CSA C22.2 No.68

SIDE VIEWS



(Left hand view)



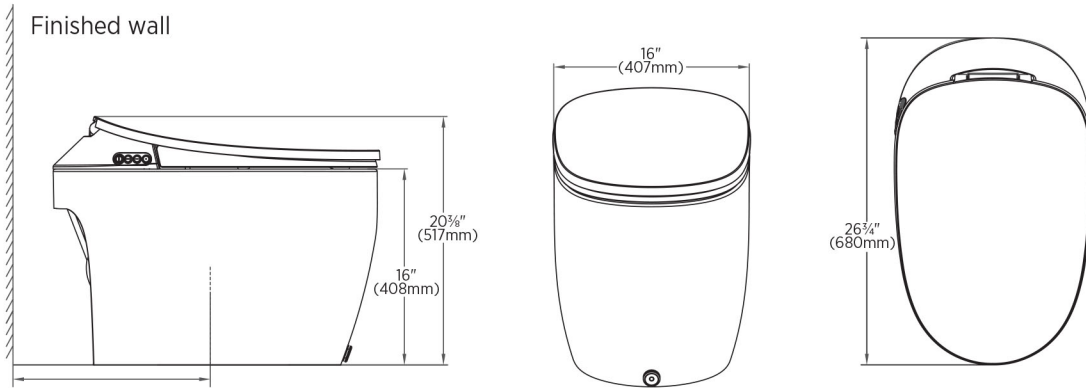


FOREMOST®

INTELLIGENT TOILET

foremostbath.com
foremostcanada.com

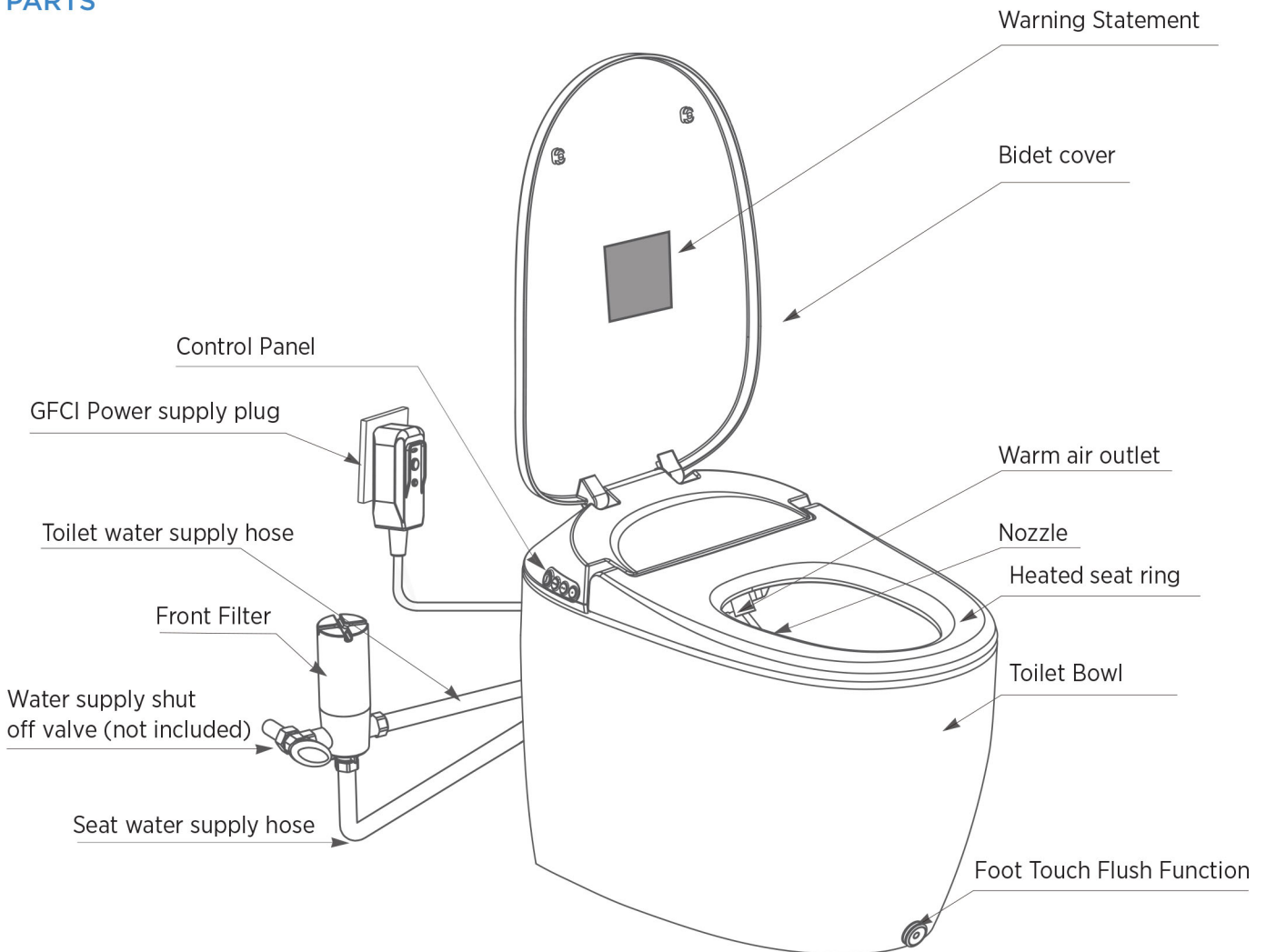
DIMENSIONS



Distance of 12" Rough-In (305mm)

※ We reserve the right to change the dimension marked in the figure at any time without prior notice.

PARTS





FOREMOST®

INTELLIGENT TOILET

foremostbath.com
foremostcanada.com

SPECIFICATIONS

Rated Voltage		110V
Rated frequency		60Hz
Rated consumption power		Water intake temperature 15 °C , water outlet temperature 39 °C, flowrate 3.4gal/min power 1200W
Temperature of operating environment		4 °C ~ 40 °C
Water intake temperature		4 °C ~ 35 °C
Range of water intake pressure for use	Min. necessary water pressure	35 psi (over 20 gal /min when water is running)
	Max. water pressure	80 psi (in resting state)
Closet	Rough-in	12 in
Wash	Heating method	Instantaneous heating
	Water outlet quantity for posterior wash	About 0.14-0.18gal/min (adjustment of 3 levels) when water pressure is 0.05
	Water outlet quantity for Bidet wash	About 0.14-0.18gal/min(adjustment of 3 levels) when water pressure is 0.05
	Temperature of warm water	Off /about 30 °C ~40 °C
Warm air	Safety unit	Butterfly temperature controller, temperature fuse and flow rate test unit
	Warm air temperature	Off /about 35 °C ~55 °C (adjustment of 4 levels)
	Wind speed	About 4m/s
Seat ring	Safety unit	Double metal plate temperature controller, temperature fuse
	Seat ring temperature	Off /about 28 °C ~40 °C (adjustment of 4 levels)
Remote control	Safety unit	Temperature fuse
	Dimension	7 in L × 2½ in W × ¾ in H
	Power supply	AAA (not included)
Water-proof grade		IPX4
Length of power cable		About 47¼ in
Dimension of the product		26¾ in L × 16 in W × 20¾ in H