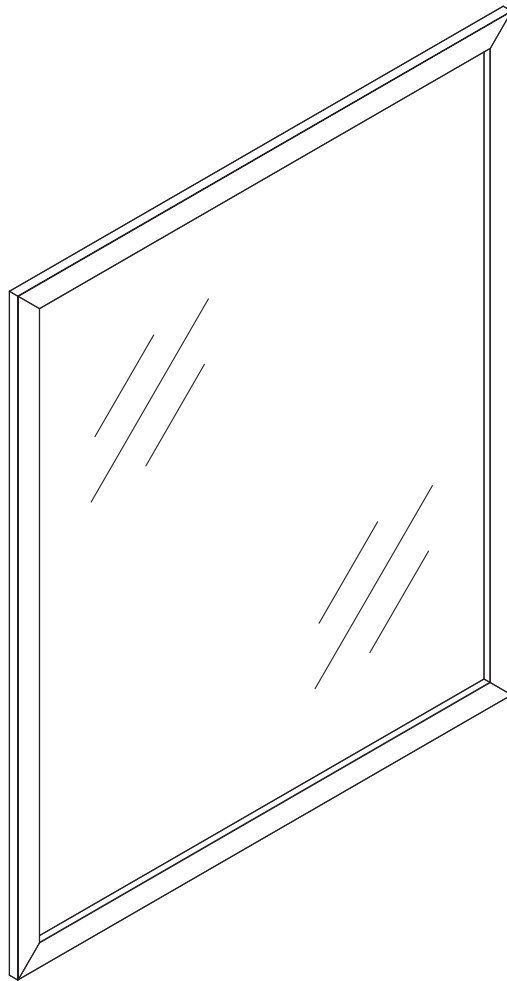


Aluminum Mirror

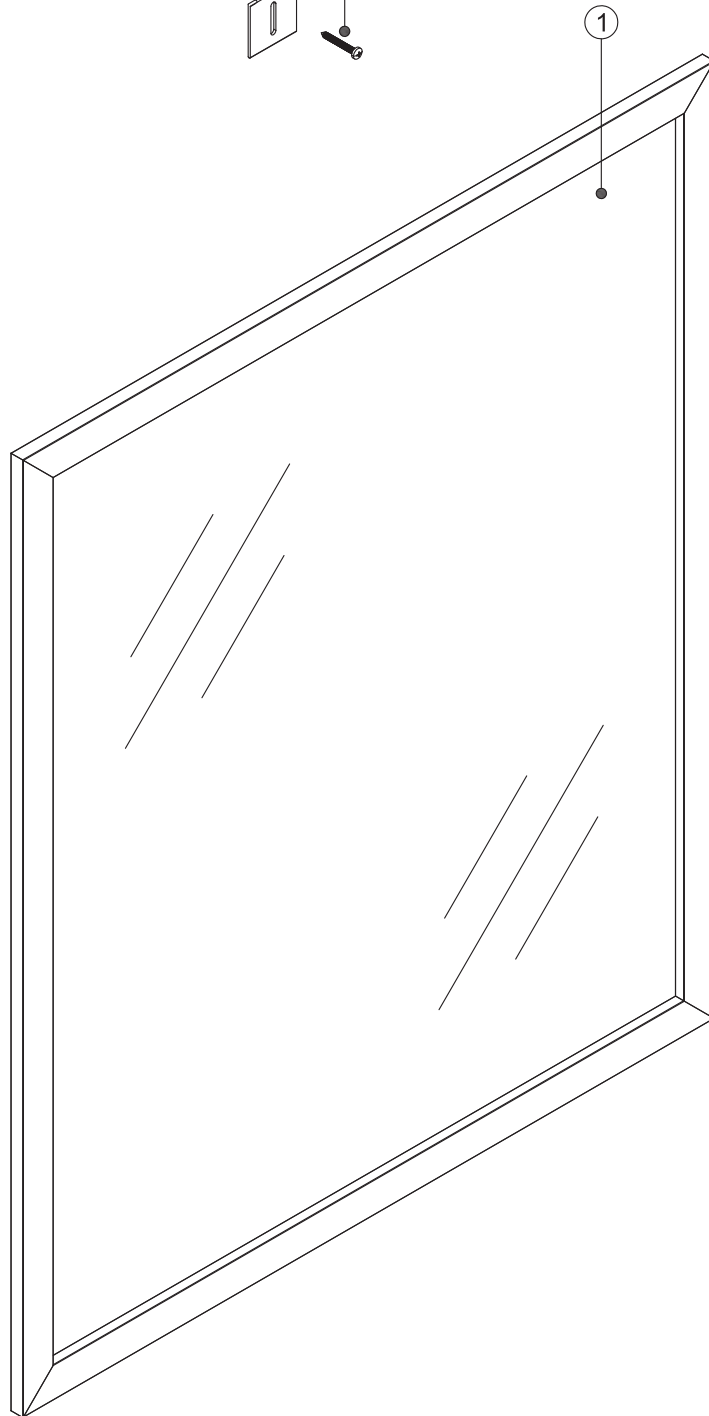
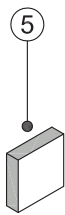
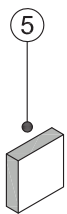
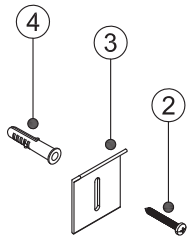
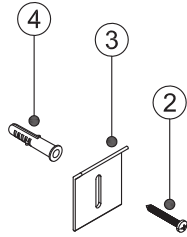
COPY THE MODEL NUMBER FOR YOUR RECORDS HERE #

READ THE INSTRUCTIONS CAREFULLY, familiarize yourself with all the parts as shown in the exploded view. The exploded view will also provide a helpful reference when relating to the location of the various parts and how they are mounted.

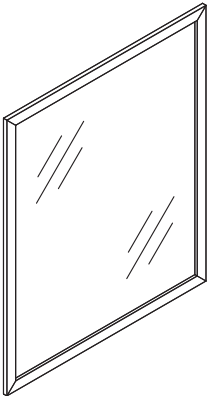
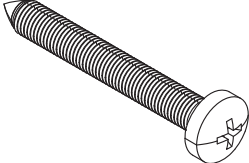
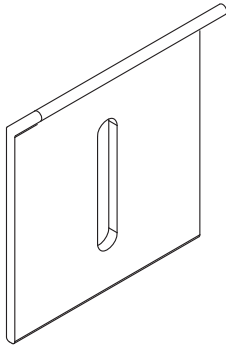
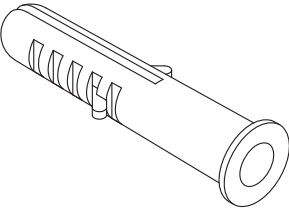
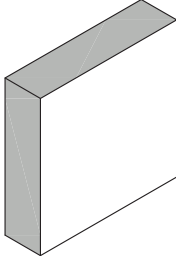


FOREMOST® REFLECTIONS

② SCREW 1 1/2"

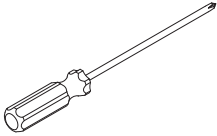
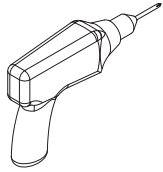
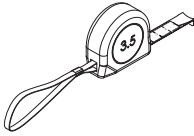
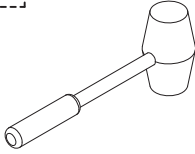

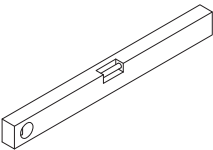
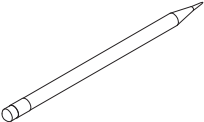

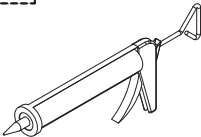


PARTS LIST.

			
<p>MIRROR(1 PCS)</p>	<p>1 1/2" SCREW(2 PCS)</p>	<p>MOUNTING BRACKET (2 PCS)</p>	<p>WALL PLUG(2 PCS)</p>
			
<p>FOAM PAD(2 PCS)</p>			

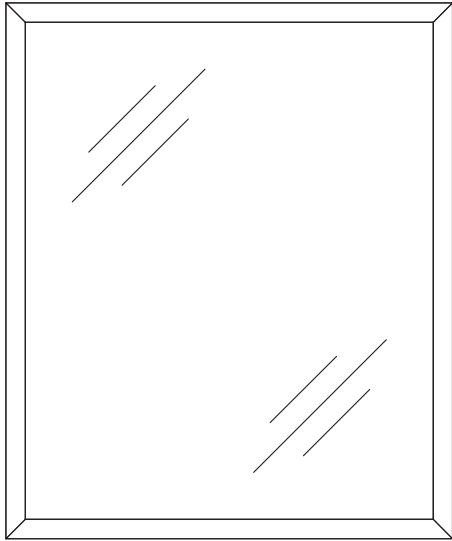
WARNING: Safety glasses should always be worn when working with drill.

RECOMMENDED TOOLS

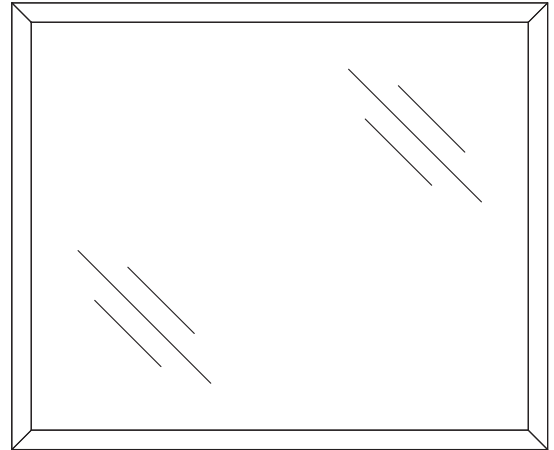
				 5/16"
<p>SCREW DRIVERS</p>	<p>DRILL</p>	<p>MEASURE TAPE</p>	<p>RUBBER MALLET</p>	<p>DRILL BITS</p>
				
<p>LEVEL</p>	<p>PENCIL</p>	<p>SAFETY GLASSES</p>	<p>SILICONE</p>	

**Choose the Mirror direction - vertical or horizontal.
Follow the appropriate diagram below .**

Vertical Assembly

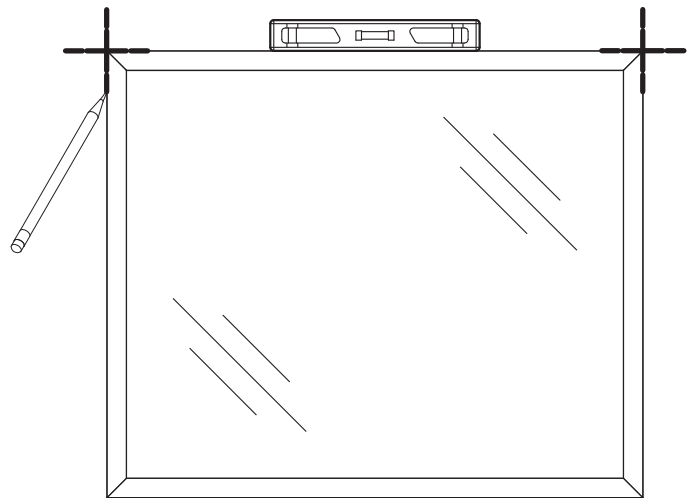
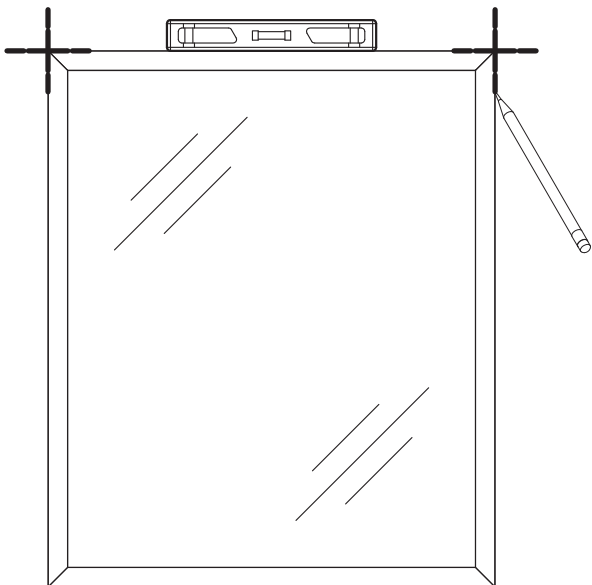


Horizontal Assembly



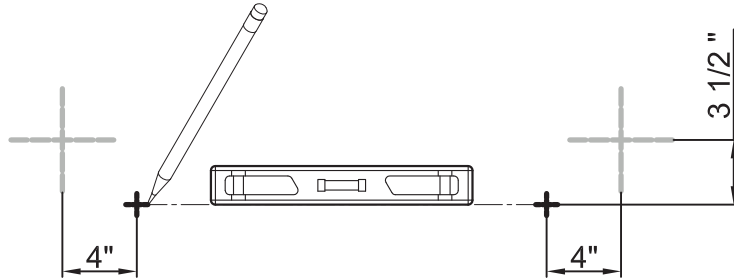
STEP 1

Select the desired position of the mirror. Level and mark the location.



STEP 2

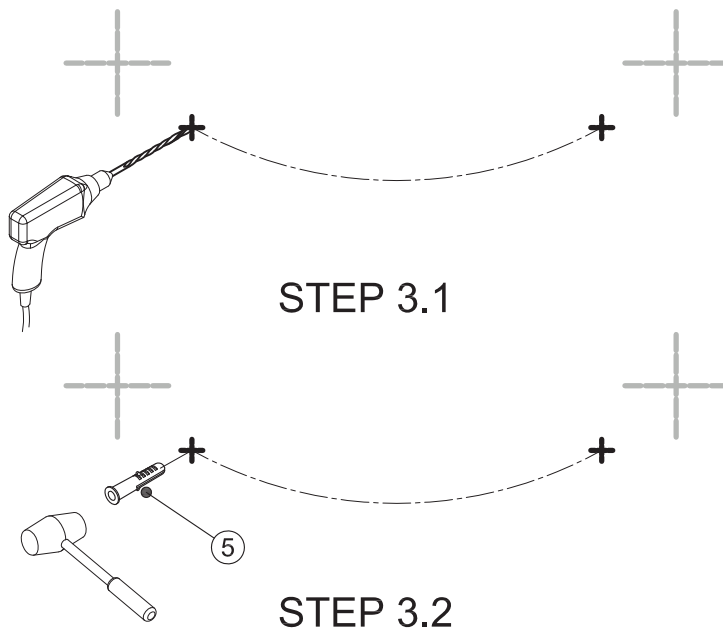
Mark the drilling locations ensure marking are leveled.



STEP 3

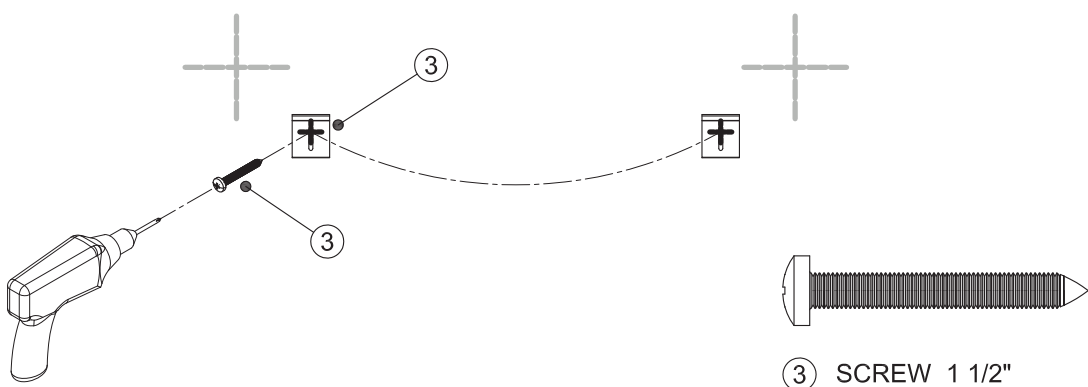
3.1 Drill holes about 1 1/2" deep at each of the marked locations.

3.2 Insert wall plugs (4) .



STEP 4

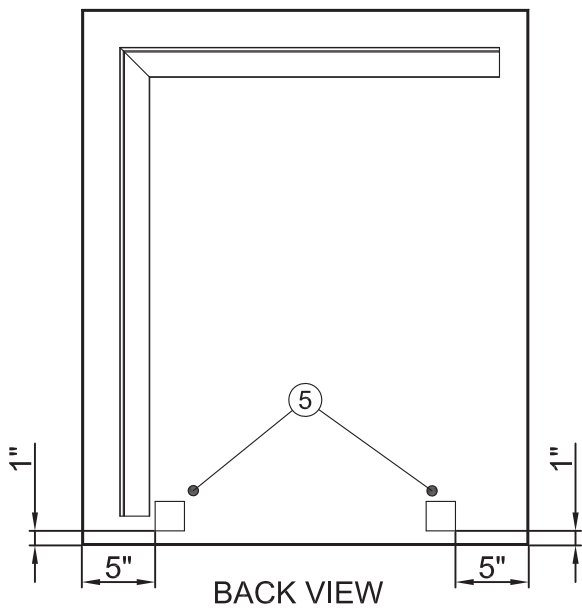
Install Mounting Bracket (3) .



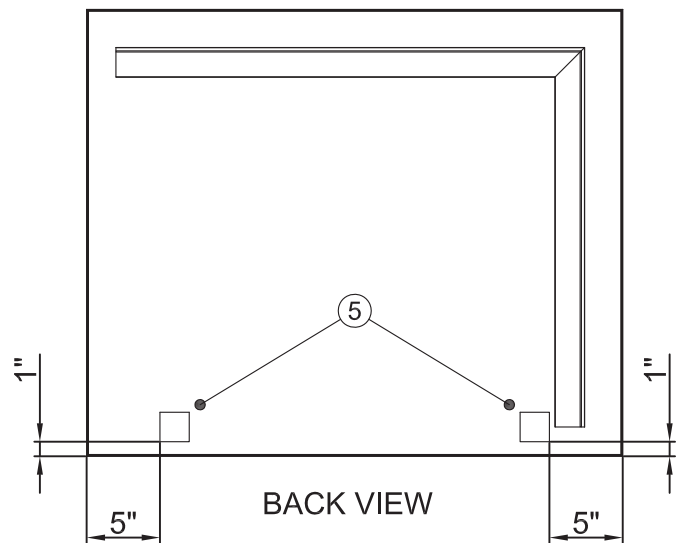
STEP 5

Tear off the double-sided tape film from Foam Pad, and stick it to the mirror as below shown. Take off the film from second side before hanging.

Vertical Assembly

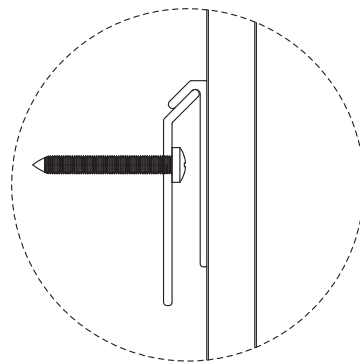
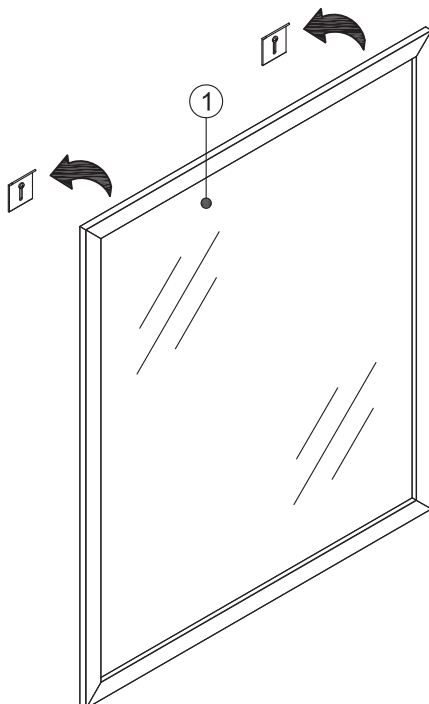


Horizontal Assembly



STEP 6

Install Mirror ① as the picture indicates.



SIDE VIEW

FOREMOST®

REFLECTIONS

Thank you for purchasing this FOREMOST® mirror.

At Foremost Groups, Inc., every product is designed with the customer in mind. Every aspect of what we do revolves around the customers needs.

Should you have any questions about your mirror, we would like to address the concern quickly. Our trained staff is ready to help you with quick, efficient service. Please call our toll free Customer Service number.

Toll Free: 1-888-620-3667

Monday-Friday, 7:00 a.m. To 5:00 p.m., CST

Email: KandBService@ForemostGroups.com

1 Year Warranty Information

Each FOREMOST® product manufactured by Foremost Groups, Inc. is covered by a 1 Year / Limited Lifetime Warranty. We warrant our products to be free from defects in material or workmanship for a period of 1 year from the date of delivery.

These warranties do not apply where products have been improperly stored or improperly installed, misused, abused, or modified in any way. They do not cover the costs of removing warranted material or the installation of replacement material.

These warranties are the sole warranties of Foremost Groups, Inc., and in lieu of all other warranties, express or implied, including any implied warranties of merchantability and fitness for a particular use. Labor charges for removal of or installation of warranted material as well as incidental or consequential damages are excluded. We do not assume for us any other liability in connection with the sale of our product.

Warranty Registration

We highly recommend registering your product in the first 30 days after purchase.

Register your FOREMOST® product at: www.foremostbath.com/warranty